

# SEAFLO®

— Make Water Work For You —



## MARINE EQUIPMENT

[www.seaflomariner.com](http://www.seaflomariner.com)



# SEAFLO®

## FUJIAN AIDI ELECTRIC CO.,LTD.

Office Add: No.520 Hengtian Road, Business Operation Center in North Station, Jimei District, Xiamen, Fujian, China

Factory Add: F2-4 Block, Industrial Park, Liancheng County, Longyan City, Fujian, China

Tel / WhatApp / Wechat: + 86 13860382108

Web: [www.seaflomariner.com](http://www.seaflomariner.com) [www.seaflo.com](http://www.seaflo.com)

E-mail: [business@seaflo.com](mailto:business@seaflo.com)



Wechat

website

WhatsApp

### ACCURACY AND COMPLETENESS OF INFORMATION

All information in this literature regarding products and services provided by SEAFLO is subject to change without prior notice. Reasonable efforts are taken to ensure the accuracy and integrity of all information provided here, but SEAFLO is not responsible for misprints, out-of-date information, or errors. SEAFLO makes no warranty, express or implied, or assumes any legal liability or responsibility for the accuracy or completeness of any information contained in this literature.



Searchlight

Navigation Light/Pole Lights

Porthole

Ladder / Mooring / Marine Anchor



FUJIAN AIDI ELECTRIC CO.,LTD.



LIANCHENG FACTORY

**2008**  
 Brand Created in  
**4 Million Annual Capacity**

**160,000**  
 Square meters

**1000+**  
 Customers

**200+**  
 Patents



Reach and Design

SEAFLO group is an ISO 9001 certified, professional marine & RV water system and outdoor solution manufacturer. We have 2 production bases, 2 modern standard workshops of 50000 square meters, more than 200 employees. SEAFLO products and brand is deeply engaged in Marine, RV and outdoor market for more than a decade. We offer professional and reliable service with the cost-effective products of SEAFLO brand and private branding for our partners.

We serve more than 1000 customers in over 100 countries all over the world. We are committed to build a strong and senior technical personnel of research & development team.

We have obtained more than 200 domestic and international patents, and our products have passed CE, RoHs, UKCA, ISO 8846 and ISO 8849, CSA, Reach, PAHs and other international certifications.

SEAFLO Mission: Bring value not only to our customers, but to the world.

SEAFLO Vision: Lead the vanguard of the next generation of great companies.

SEAFLO Value: Learning, Growing, Thankful, Together.



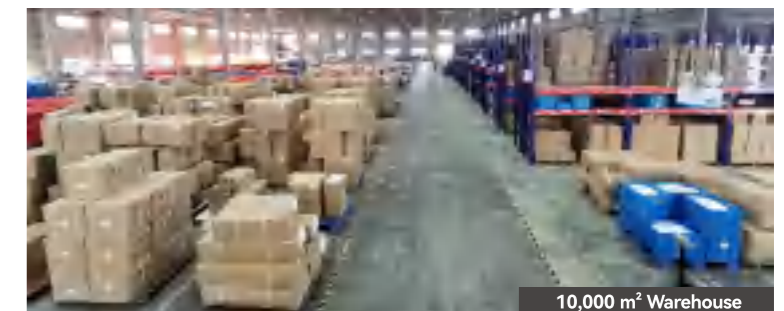
Automatic Screwing Equipment



Production Line



Automatic Injection Equipment



10,000 m<sup>2</sup> Warehouse



Factory



Xiamen R&D Center



Sales Center

# Contents



07-35

## Bilge Pumps

- Bilge Pumps
- Shower Sump Pump Systems
- Submersible and Line Pumps
- Livewell / Baitwell Pumps Series
- Handy Submersible Pump



36-46

## Water Alarm Systems Float Switches

- Electric Field Bilge Switch
- Water alarm systems
- 2 / 3-Way Switch Panels
- Float Switch Series
- Dry Bilge System
- Ultrasonic antifouling system



47-64

## Fresh Water Pumps

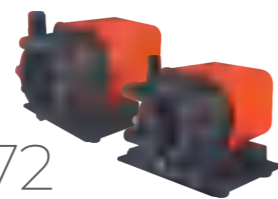
- Fresh Water Pumps
- Variable Speed Smart Pumps
- Washdown Pump Kit
- Accumulator Tanks
- Water Pressure Systems



65-70

## Self-priming Bilge & Ballast Pumps

- Self-priming Bilge Pumps
- Ballast Pump
- Macerator Pump
- Diaphragm Waste Pump



71-72

## Air Conditioning Pumps



73-76

## Oil Change Systems

- Oil Change Systems
- Gear Pumps
- Oil Change Hand Pump



77-78

## Hand Pumps

- Piston Hand Pumps
- Diaphragm Hand Pumps



79-86

## Blowers

- In-Line Blowers/Bilge Blowers
- Solar Power Ventilator



87-92

## Battery Switches

- 2-3-4 Position Battery Switches



93-108

## Toilets

- Portable Toilets
- Manually Operated Marine Toilets
- Electric Marine Toilets
- Electric Conversion Marine Toilets
- Quiet Flush Electric Toilets
- Solenoid Valve & Siphon Breaker
- Rinse Pump / Switch Panel



109-152

## Boat Light

- Searchlight
- LED Deck Lights
- Navigation Light
- Bi-color Bow Light
- All Round Light
- Ceiling Light
- Strip Light
- Courtesy Light
- Stern Light
- LED Livewell Light
- Underwater Lights
- Reading Light
- Portable Navigation Light Kit
- Multi-Function Sport Light



153-160

## Kneeboard Waterproof Storage Can Oil Change Systems

- Fuel Transfer Pumps
- Fuel Cans



161-169

## Hatches / Portholes



170-178

## Plastic Accessories

- Water Inlets
- Dent Vent
- Thru Hull Fittings
- Bilge Pump Installation Kit
- Boat Drain Plugs
- Non-return Valves
- Raw Water Strainers



179-180

## Tank ventilator



181-182

## Deck filler



183-188

## Mooring

- Cleat
- Anchor Roller
- Anchor Chain
- Vent

189-190

## Ladder



191-196

## Handrail Slam latch Stainless steel hinge



197-202

## Rod holder & Pontoon Storage Blocks

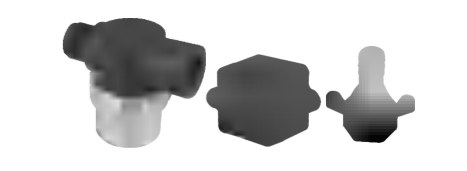
- Rod holder
- Quick Lift Rod Holder
- Bait & Fillet Table
- Pontoon Storage Blocks



203-206

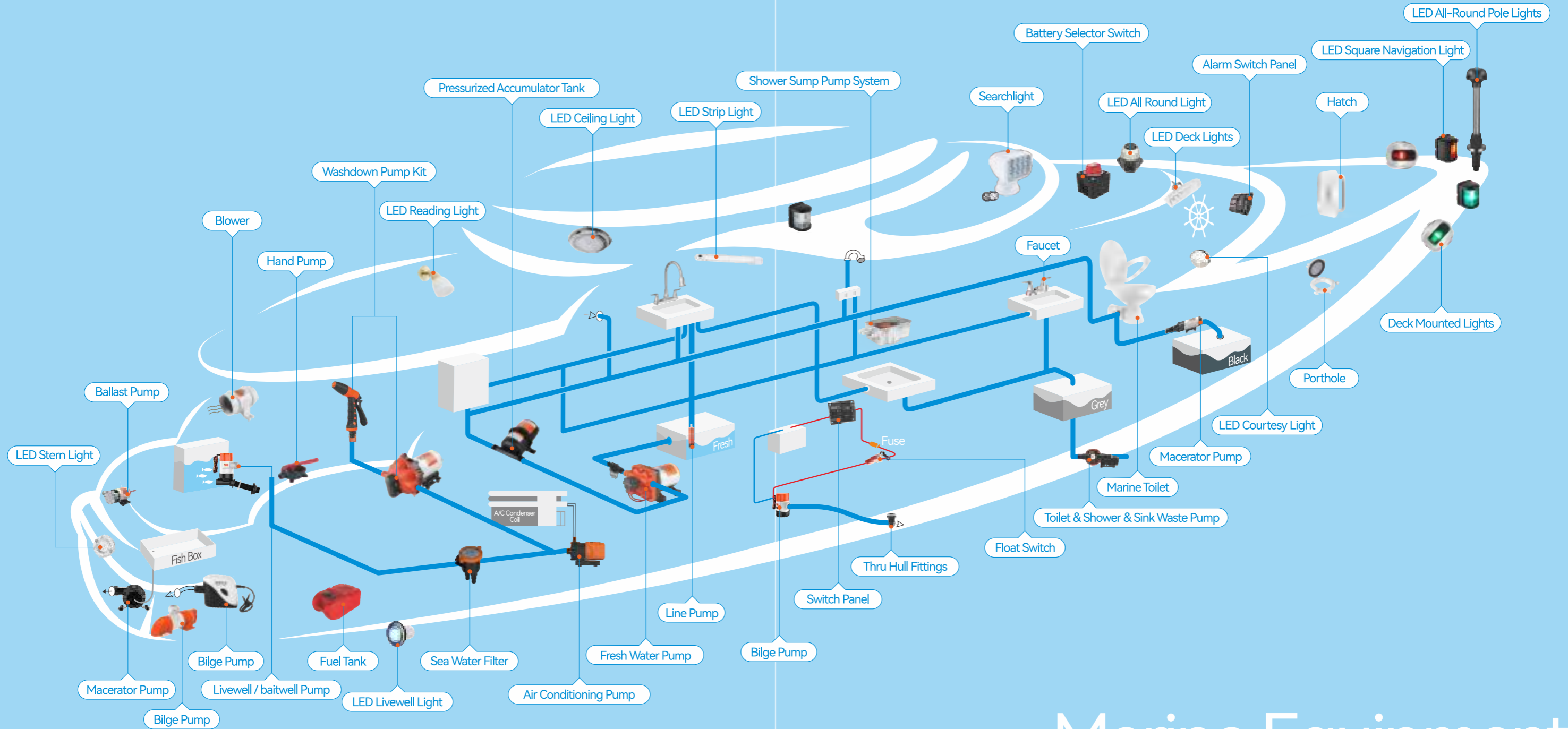
## Anchor & Anchor kit

- Anchor
- Anchor kit
- Downrigger Weight Coated Bal



207-211

## Other Accessories



# Marine Equipment

## CERTIFICATIONS

SEAFLO factory pays high value to ISO system including ISO 9001:2015, ISO 14001:2015 and ISO 18001:2007 for general management and production. SEAFLO not only has obtained 6 Invention Patents, 52 Utility Model Patents, 143 Design Patents till now, but also received many international authentications including CE, ROHS, REACH, CSA, ISO 8846, ISO 8849, PAHS etc.



CSA



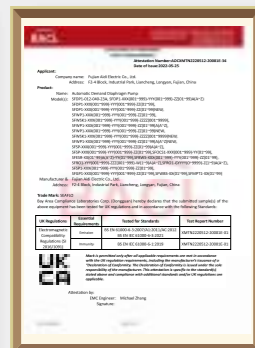
ISO 45001:2018



ISO 14001:2015



CE



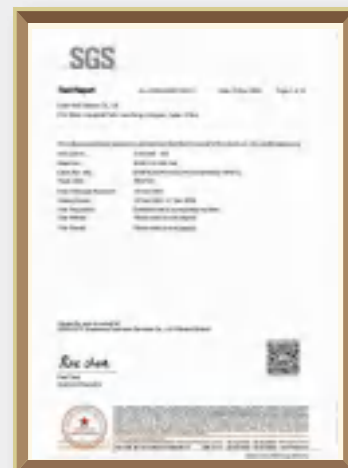
UKCA



ISO 8846 ISO 8849



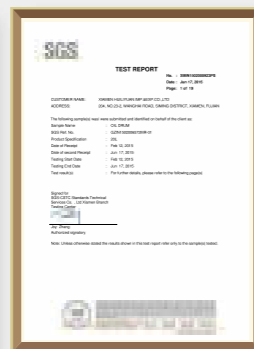
ISO 9001:2015



PAHS



RoHS



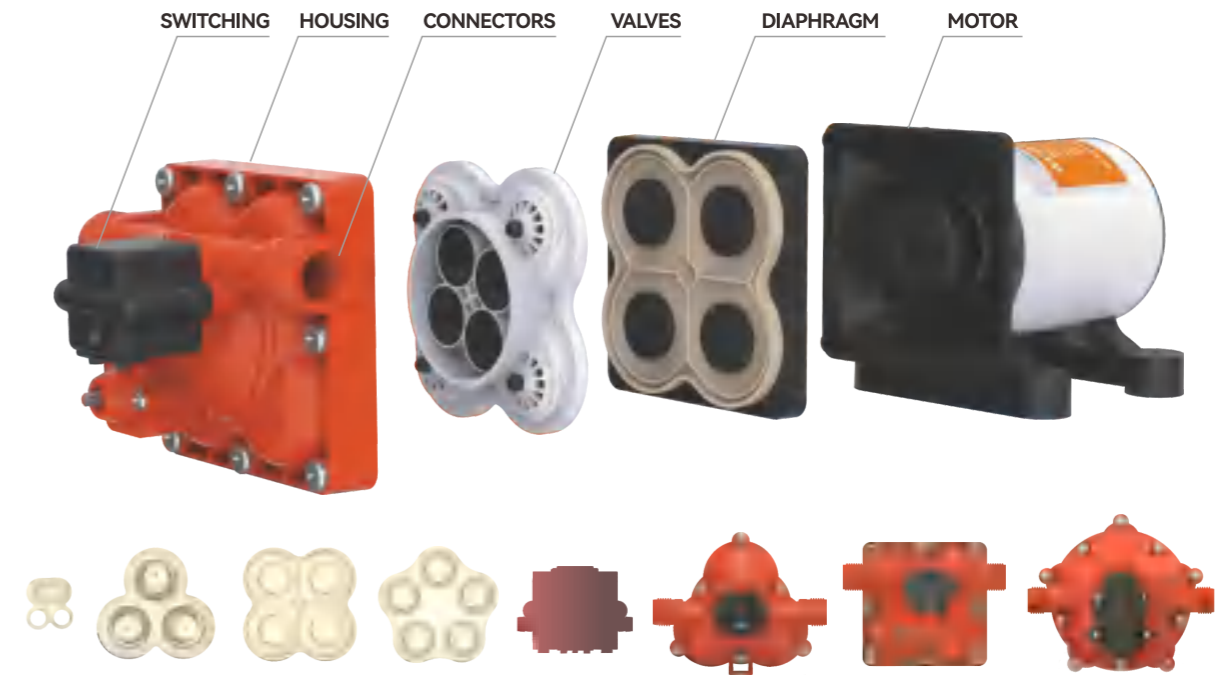
Reach



United States Patent

## SEAFLO CUSTOM PUMP OPTIONS

### FRESH WATER PUMPS



#### SWITCHING

- Bypass
- Demand
- Dual Controls
- No Controls
- Smart Controllers

#### HOUSING

- Nylon
- Polypro

#### VALVES

- Santoprene
- Viton
- Geolast
- Nylon
- Polypro
- BUNA
- EPDM

#### CONNECTORS

- Quick Attach
- FNPT
- MNPT

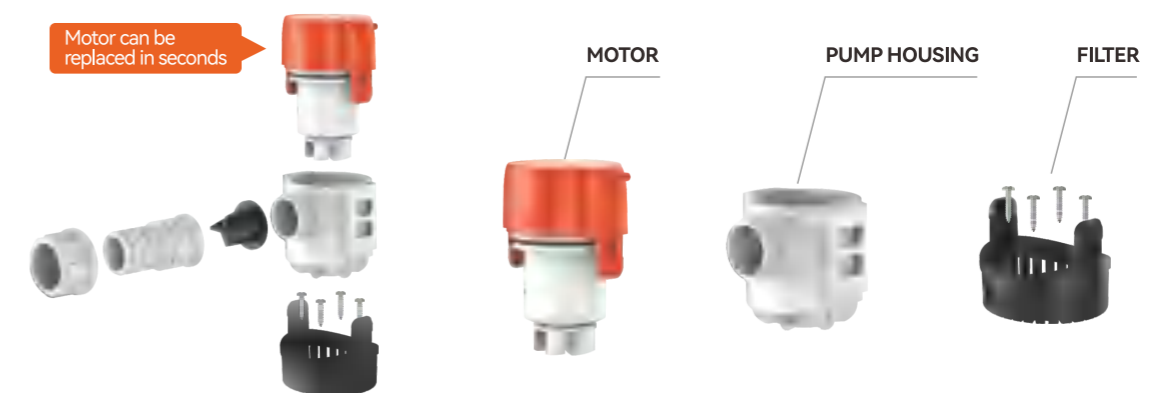
#### DIAPHRAGMS

- Santoprene
- Viton
- Geolast
- Various CAM Sizes
- BUNA

#### MOTORS

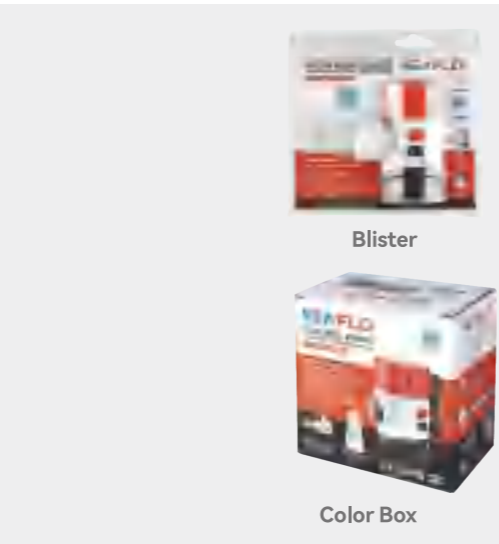
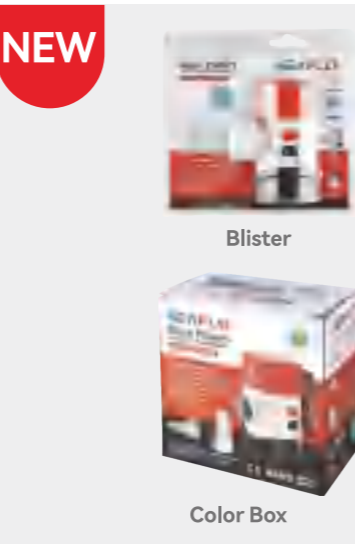
- Sealed
- 12,24 Volts
- 115,230 Volts
- Higher Output
- Heat Sinks
- Lead Sinks
- Lead Wires
- 2 Pin Connector
- On/Off Switch
- Special Electrical Connectors Available

### BILGE PUMPS



Additional Options: Barcoding, CE certified, Various packaging options, Custom label/logo

BILGE PUMPS



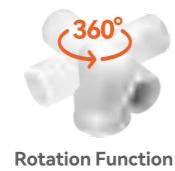
BILGE PUMPS

**Non-automatic Bilge Pumps 13A Series 600/800/1100 GPH**

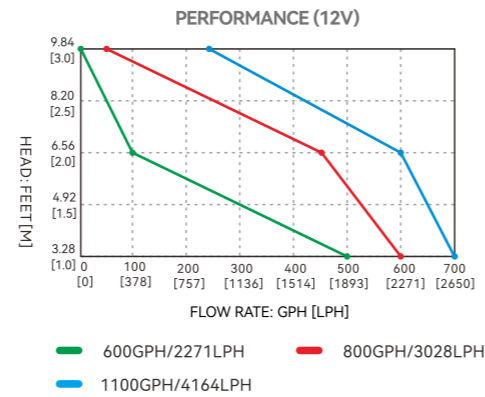
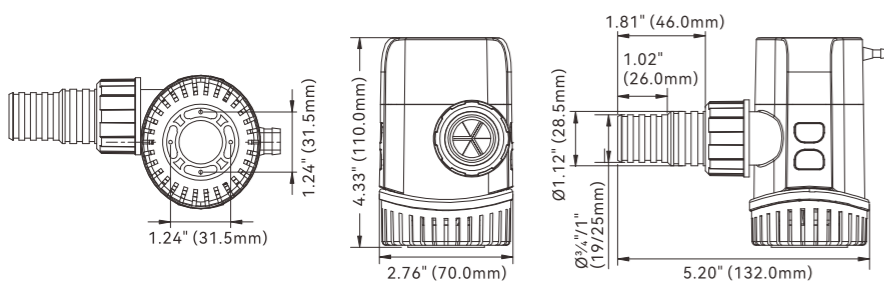
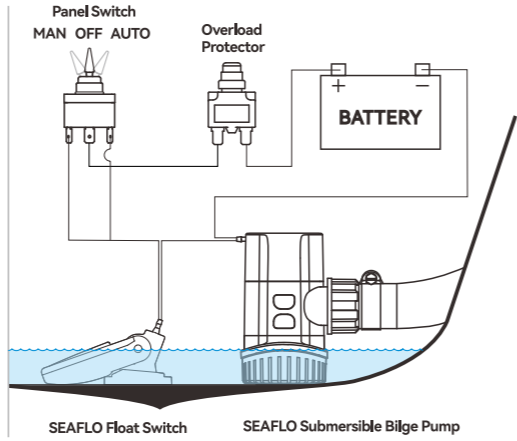
**FEATURES & BENEFITS**

- CE, RoHS, ISO 8846, ISO8849 standards
- Includes check valve to prevent water back flow
- Include removable discharge straight fitting
- Submersible and ignition protected
- High efficiency, low amp motor
- Stainless-steel motor shaft
- Anti-Airlock protection

Split quick-connect joint design no need to disconnect base or plumbing when replacing pump.



Motor can be sold separately



**Standard Pump Configurations**

Pump Model	Motor Model	Flowrate	Volts	Current	Head	Wire Lead	Outlet Dia.	NW./G.W.
SFBP1-G600-13A	SFMA1-G600-13A	600GPH	12V	2.5A	2.5m/7.5'	3' (1 m)		0.40KG/0.47KG
SFBP2-G600-13A	SFMA2-G600-13A	600GPH	24V	1.5A	2.5m/7.5'	3' (1 m)	3/4" (19mm)	0.40KG/0.47KG
SFBP1-G800-13A	SFMA1-G800-13A	800GPH	12V	3.5A	3m/9'	3' (1 m)	1 1/8" (29mm)	0.40KG/0.47KG
SFBP2-G800-13A	SFMA2-G800-13A	800GPH	24V	2.0A	3m/9'	3' (1 m)		0.40KG/0.47KG
SFBP1-G1100-13A	SFMA1-G1100-13A	1100GPH	12V	4.0A	4m/12'	3' (1 m)	1" (25mm)	0.40KG/0.47KG
SFBP2-G1100-13A	SFMA2-G1100-13A	1100GPH	24V	2.5A	4m/12'	3' (1 m)	1 1/8" (29mm)	0.40KG/0.47KG

**Electronic Timer Sensing Auto Bilge Pumps 13B Series 600/800/1100 GPH**

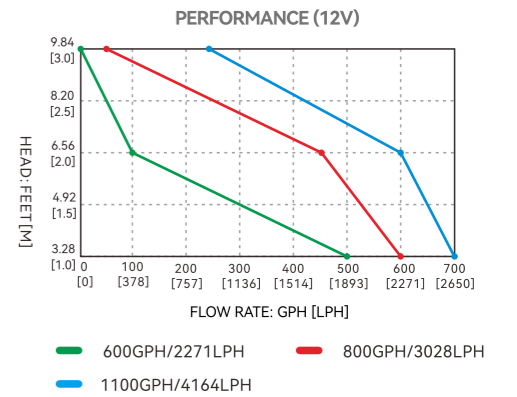
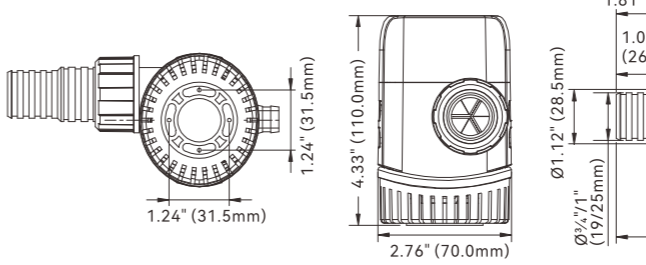
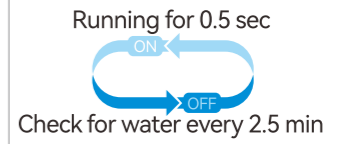
**FEATURES & BENEFITS**

- Compact automatic pump-no float switch needed
- Check for water every 2.5 minutes, Runs for a half second
- CE, RoHS, ISO 8846, ISO8849 standards
- Submersible and ignition protected
- High efficiency, low amp motor
- Stainless-steel motor shaft
- Includes check valve to prevent water back flow
- Include removable discharge straight fitting

Split quick-connect joint design no need to disconnect base or plumbing when replacing pump.



Motor can be sold separately



**Standard Pump Configurations**

Pump Model	Motor Model	Flowrate	Volts	Current	Head	Wire Lead	Outlet Dia.	NW./G.W.
SFBP1-G600-13B	SFMA1-G600-13B	600GPH	12V	2.5A	2.5m/7.5'	3' (1 m)		0.40KG/0.47KG
SFBP2-G600-13B	SFMA2-G600-13B	600GPH	24V	1.5A	2.5m/7.5'	3' (1 m)	3/4" (19mm)	0.40KG/0.47KG
SFBP1-G800-13B	SFMA1-G800-13B	800GPH	12V	3.5A	3m/9'	3' (1 m)	1 1/8" (29mm)	0.40KG/0.47KG
SFBP2-G800-13B	SFMA2-G800-13B	800GPH	24V	2.0A	3m/9'	3' (1 m)		0.40KG/0.47KG
SFBP1-G1100-13B	SFMA1-G1100-13B	1100GPH	12V	4.0A	4m/12'	3' (1 m)	1" (25mm)	0.40KG/0.47KG
SFBP2-G1100-13B	SFMA2-G1100-13B	1100GPH	24V	2.5A	4m/12ft	3' (1 m)	1 1/8" (29mm)	0.40KG/0.47KG

**NEW**



**NEW**



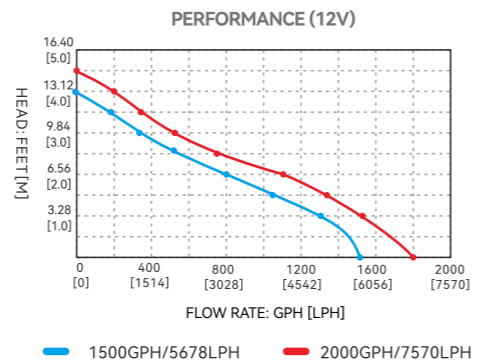
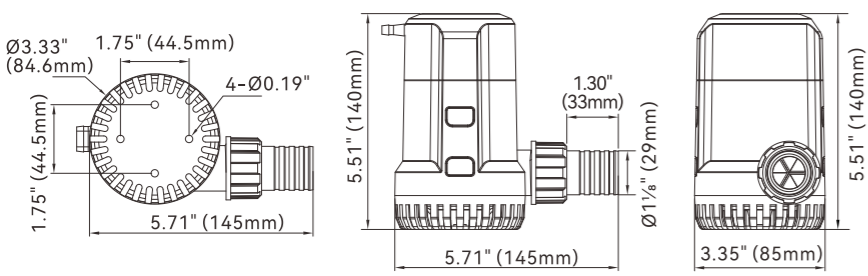
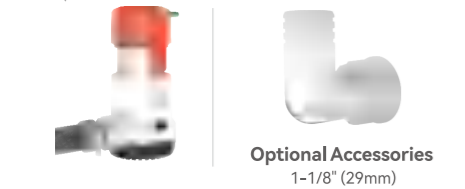
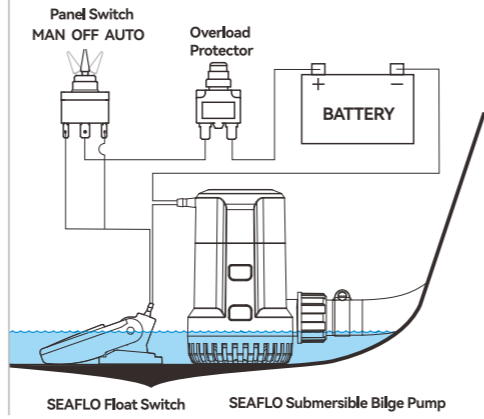
**Non-automatic Bilge Pumps 13A Series 1500/2000 GPH**

**FEATURES & BENEFITS**

- CE, RoHS, ISO 8846, ISO8849 standards
- Includes check valve to prevent water back flow
- Include removable discharge straight fitting
- Submersible and ignition protected
- High efficiency, low amp motor
- Stainless-steel motor shaft
- Anti-Airlock protection

Split quick-connect joint design no need to disconnect base or plumbing when replacing pump.

Motor can be sold separately



**Standard Pump Configurations**

Pump Model	Motor Model	Flow rate	Volts	Current	Head	Wire Lead	Outlet Dia.	N.W./G.W.
SFBP1-G1500-13A	SFMA1-G1500-13A	1500GPH	12V	4.5A	5m/16.40'	3' (1 m)	1 1/8" (29mm)	0.65KG/0.75KG
SFBP2-G1500-13A	SFMA2-G1500-13A	1500GPH	24V	2.5A	5m/16.40'	3' (1 m)		0.65KG/0.75KG
SFBP1-G2000-13A	SFMA1-G2000-13A	2000GPH	12V	7.5A	5.5m/18.04'	3' (1 m)	1 1/8" (29mm)	0.75KG/0.85KG
SFBP2-G2000-13A	SFMA2-G2000-13A	2000GPH	24V	4.0A	5.5m/18.04'	3' (1 m)		0.75KG/0.85KG

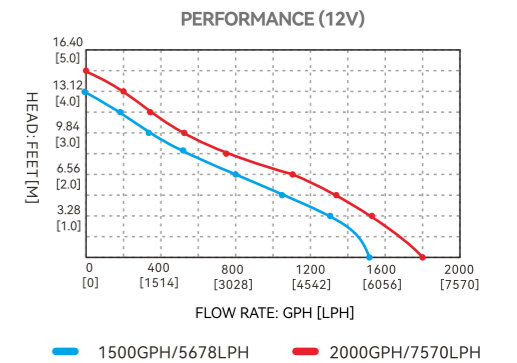
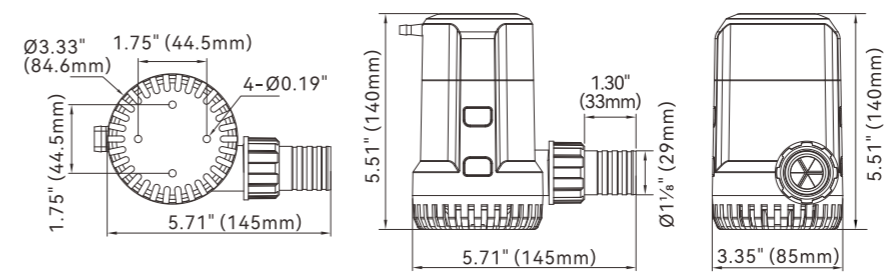
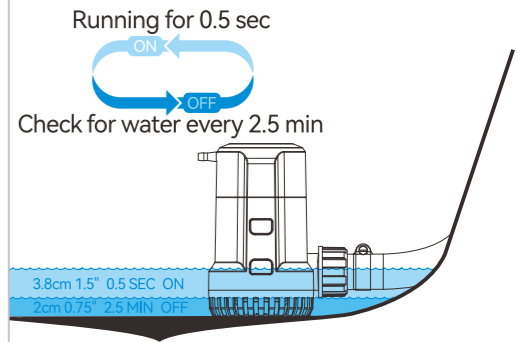
**Electronic Timer Sensing Auto Bilge Pumps 13B Series 1500/2000 GPH**

**FEATURES & BENEFITS**

- Compact automatic pump-no float switch needed
- Check for water every 2.5 minutes, Runs for a half second
- CE, RoHS, ISO 8846, ISO8849 standards
- Submersible and ignition protected
- High efficiency, low amp motor
- Stainless-steel motor shaft
- Includes check valve to prevent water back flow
- Include removable discharge straight fitting

Split quick-connect joint design no need to disconnect base or plumbing when replacing pump.

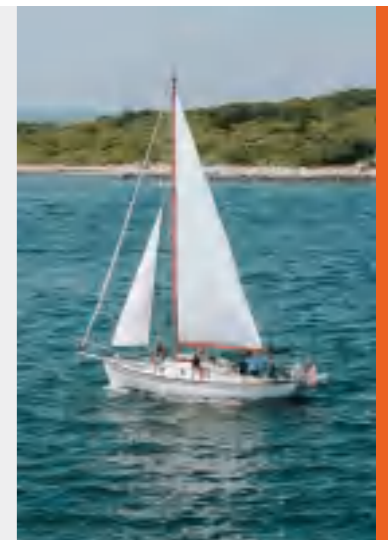
Motor can be sold separately



**Standard Pump Configurations**

Pump Model	Motor Model	Flow rate	Volts	Current	Head	Wire Lead	Outlet Dia.	N.W./G.W.
SFBP1-G1500-13B	SFMA1-G1500-13B	1500GPH	12V	4.5A	5.0m/16.40'	3' (1 m)	1 1/8" (29mm)	0.68KG/0.78KG
SFBP2-G1500-13B	SFMA2-G1500-13B	1500GPH	24V	2.5A	5.0m/16.40'	3' (1 m)		0.68KG/0.78KG
SFBP1-G2000-13B	SFMA1-G2000-13B	2000GPH	12V	7.5A	5.5m/18.04'	3' (1 m)	1 1/8" (29mm)	0.78KG/0.88KG
SFBP2-G2000-13B	SFMA2-G2000-13B	2000GPH	24V	4.0A	5.5m/18.04'	3' (1 m)		0.78KG/0.88KG

BILGE PUMPS

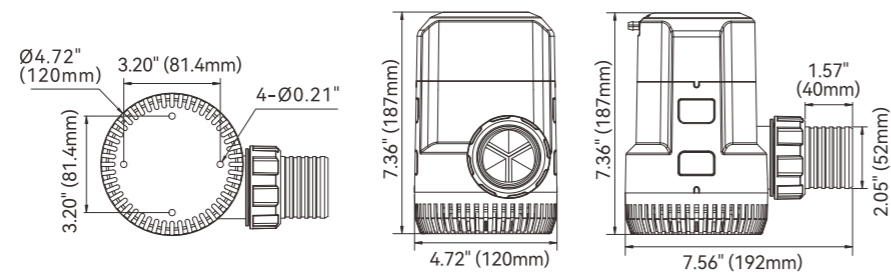
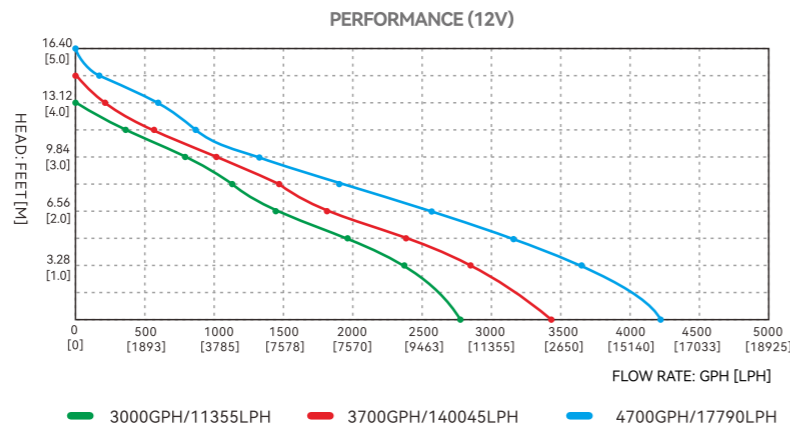


BILGE PUMPS

**Non-automatic Bilge Pumps 13A Series 3000/3700/4700 GPH**

**FEATURES & BENEFITS**

- CE, RoHS, ISO 8846, ISO 8849 standards
- Traditional operation by switch or float switch
- Entirely Submersible
- Run dry capable for workloads
- Quiet operation
- Stainless steel shaft
- Snap-off strainer base for easy maintenance
- Pump and switch are stand alone products
- Sealed efficient, long life motors
- Anti-Airlock protection
- Exclusive moisture tight seals
- Marine grade blocked wiring



**Standard Pump Configurations**

Model	Flow rate	Volts	Current	Fuse	Head	Wire Lead	Outlet Dia.	N.W./G.W.
SFBP1-G3000-13A	3000GPH	12V	12A	20A	5.5m/18.04'	1m/3'	1.5" (40mm) 2" (52mm)	2.1kg/2.2kg
SFBP2-G3000-13A	3000GPH	24V	6A	10A	5.5m/18.04'	1m/3'	1.5" (40mm) 2" (52mm)	2.1kg/2.2kg
SFBP1-G3700-13A	3700GPH	12V	14A	25A	6.0m/19.69'	1m/3'	1.5" (40mm) 2" (52mm)	2.1kg/2.2kg
SFBP2-G3700-13A	3700GPH	24V	7A	12A	6.0m/19.69'	1m/3'	1.5" (40mm) 2" (52mm)	2.1kg/2.2kg
SFBP1-G4700-13A	4700GPH	12V	16A	25A	6.5m/21.33'	1m/3'	1.5" (40mm) 2" (52mm)	2.1kg/2.2kg
SFBP2-G4700-13A	4700GPH	24V	8A	14A	6.5m/21.33'	1m/3'	1.5" (40mm) 2" (52mm)	2.1kg/2.2kg

**Water Level Sensing Low Profile Automatic Bilge Pump 14A Series 800/1100 GPH**

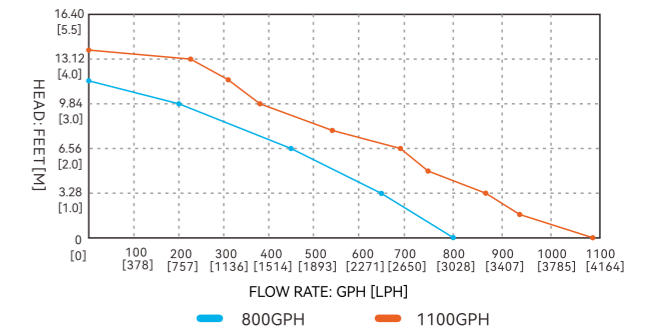
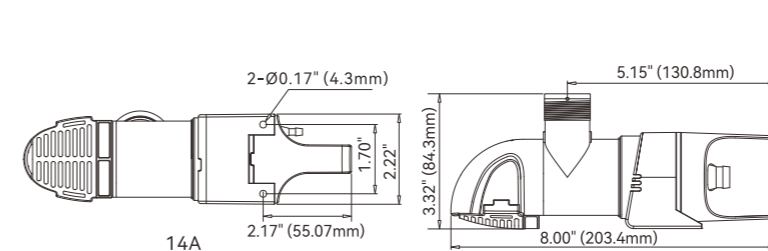
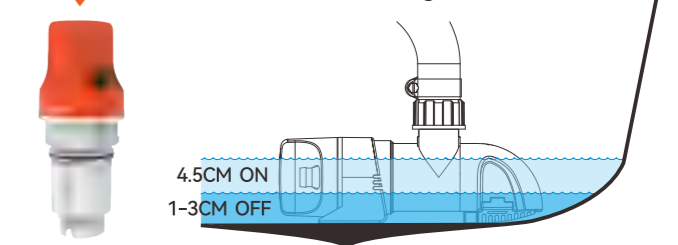
**FEATURES & BENEFITS**

- Low narrow design for tight/awkward bilge spaces
- Easy installation - outlet and pump body 360° rotate to suit your installation
- Efficient operation - Very low power consumption
- Low profile strainer - Leaves the bilge almost dry
- Easy to clean - snap fit assembly
- Easy to clean - unique clever strainer design with 360° rotation function
- Easy to clean - easy to remove and replace for cleaning
- Includes check valve to prevent water backflow
- CE, RoHS, ISO 8846, ISO 8849 standards

Split quick-connect joint design no need to disconnect base or plumbing when replacing pump.

Motor can be sold separately

**Water Level Sensing**



**Standard Pump Configurations**

Model	Model	Flow rate	Volts	Current	Head	Mode of Operation	Outlet Dia.	N.W./G.W.
SFBP1-G800-14A	SFMA1-G800-14A	800GPH	12V	3.2A	3.2m/10.5'	automatic water level sensor	3/4" (19mm)	0.39/0.56kg
SFBP2-G800-14A	SFMA2-G800-14A	800GPH	24V	2.0A	3.2m/10.5'		1" (25mm)	0.39/0.56kg
SFBP1-G1100-14A	SFMA1-G1100-14A	1100GPH	12V	4.2A	4.0m/13'		1 1/8" (29mm)	0.39/0.56kg
SFBP2-G1100-14A	SFMA2-G1100-14A	1100GPH	24V	3.0A	4.0m/13'			0.39/0.56kg



BILGE PUMPS

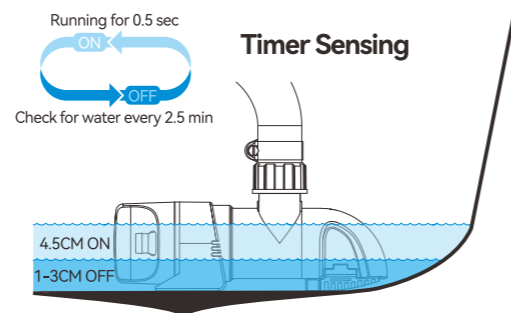
BILGE PUMPS



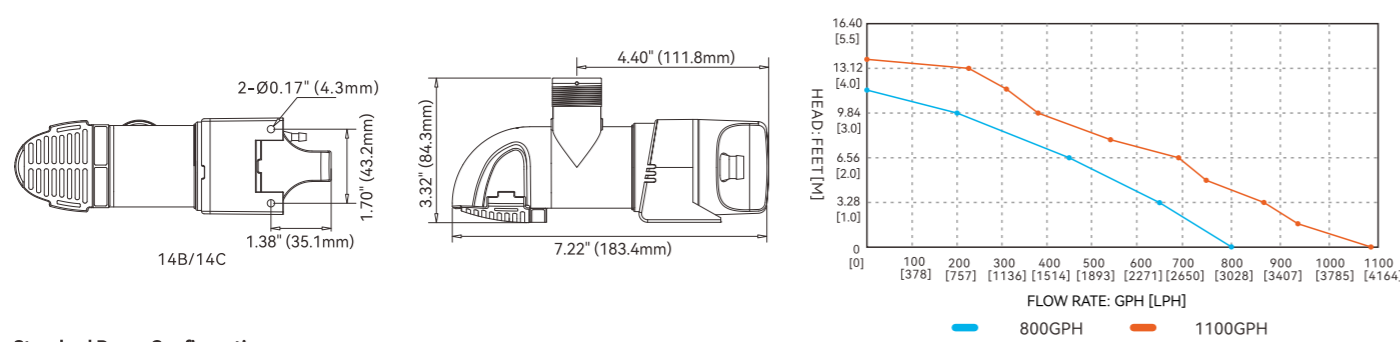
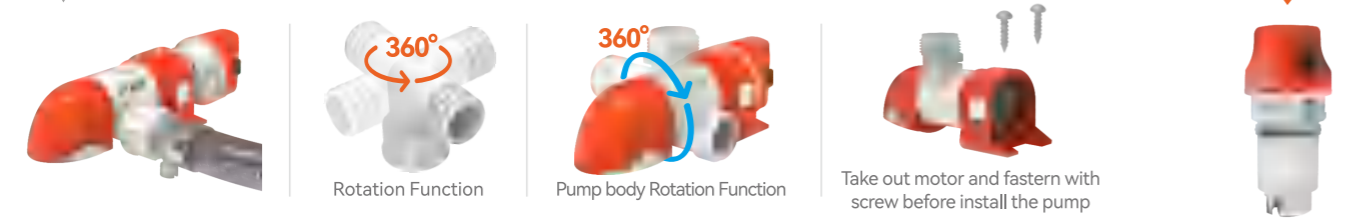
**Timer Sensing Low Profile Automatic Bilge Pump 14B Series 800/1100 GPH**

**FEATURES & BENEFITS**

- Low narrow design for tight/awkward bilge spaces
- Easy installation - outlet and pump body 360° rotate to suit your installation
- Efficient operation - Very low power consumption
- Low profile strainer - Leaves the bilge almost dry
- Easy to clean- snap fit assembly
- Easy to clean - unique clever strainer design with 360° rotation function
- Easy to clean - easy to remove and replace for cleaning
- Includes check valve to prevent water backflow
- CE, RoHS, ISO 8846, ISO8849 standards



Split quick-connect joint design no need to disconnect base or plumbing when replacing pump.



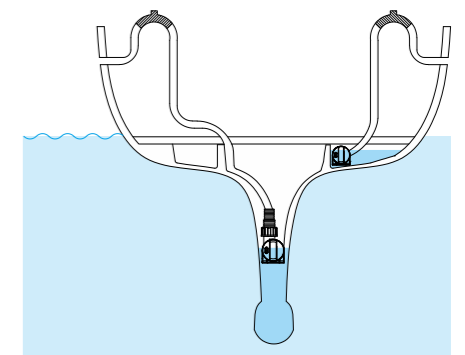
**Standard Pump Configurations**

Model	Model	Flow rate	Volts	Current	Head	Mode of Operation	Outlet Dia.	N.W./G.W.
SFBP1-G800-14B	SFMA1-G800-14B	800GPH	12V	3.2A	3.2m/10.5'	automatic timer sensor	3/4" (19mm) 1" (25mm) 1 1/8" (29mm)	0.38/0.55kg
SFBP2-G800-14B	SFMA2-G800-14B	800GPH	24V	2.0A	3.2m/10.5'			0.38/0.55kg
SFBP1-G1100-14B	SFMA1-G1100-14B	1100GPH	12V	4.2A	4.0m/13'			0.38/0.55kg
SFBP2-G1100-14B	SFMA2-G1100-14B	1100GPH	24V	3.0A	4.0m/13'			0.38/0.55kg

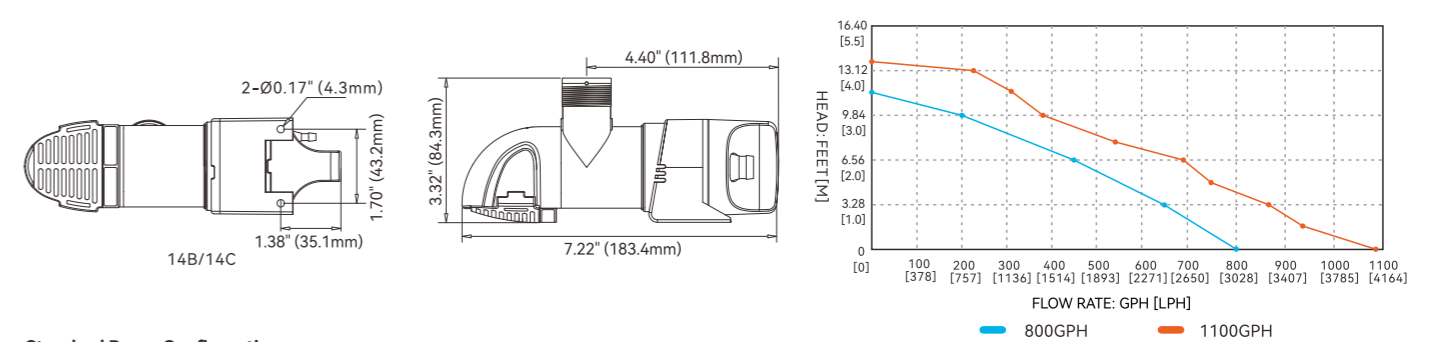
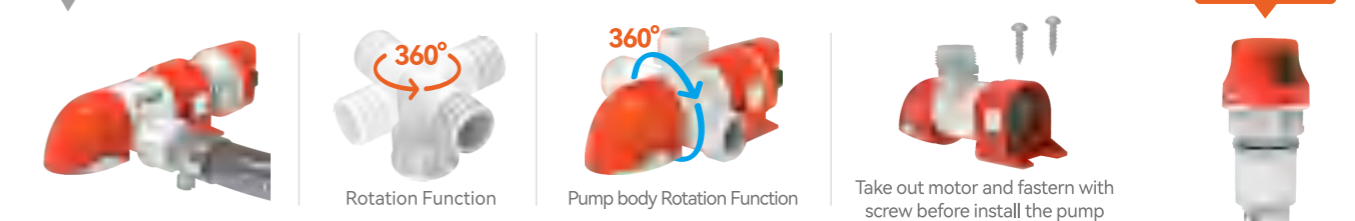
**Low Profile Bilge Pump 14C Series 800/1100 GPH**

**FEATURES & BENEFITS**

- Low narrow design for tight/awkward bilge spaces
- Easy installation - outlet and pump body 360° rotate to suit your installation
- Efficient operation - Very low power consumption
- Low profile strainer - Leaves the bilge almost dry
- Easy to clean- snap fit assembly
- Easy to clean - unique clever strainer design with 360° rotation function
- Easy to clean - easy to remove and replace for cleaning
- Includes check valve to prevent water backflow
- CE, RoHS, ISO 8846, ISO8849 standards



Split quick-connect joint design no need to disconnect base or plumbing when replacing pump.



**Standard Pump Configurations**

Model	Model	Flow rate	Volts	Current	Head	Mode of Operation	Outlet Dia.	N.W./G.W.
SFBP1-G800-14C	SFMA1-G800-14C	800GPH	12V	3.2A	3.2m/10.5'	manual	3/4" (19mm) 1" (25mm) 1 1/8" (29mm)	0.35/0.51kg
SFBP2-G800-14C	SFMA2-G800-14C	800GPH	24V	2.0A	3.2m/10.5'			0.35/0.51kg
SFBP1-G1100-14C	SFMA1-G1100-14C	1100GPH	12V	4.2A	4.0m/13'			0.35/0.51kg
SFBP2-G1100-14C	SFMA2-G1100-14C	1100GPH	24V	3.0A	4.0m/13'			0.35/0.51kg

BILGE PUMPS



Blister



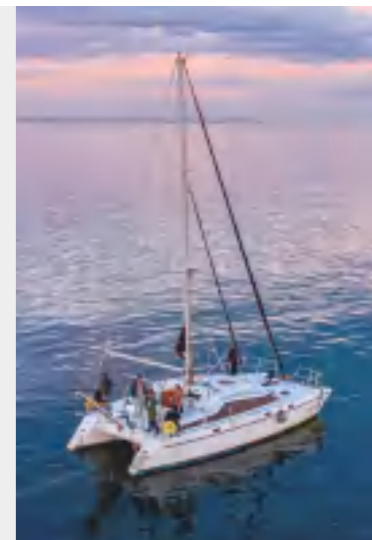
Color Box



Blister



Color Box



BILGE PUMPS

**Non-automatic Bilge Pumps 01 Series 350/500/750/1100 GPH**

**FEATURES & BENEFITS**

- CE, RoHS, ISO 8846, ISO 8849 standards
- Traditional operation by switch or float switch
- Entirely Submersible
- Run dry capable for workloads
- Quiet operation
- Stainless steel shaft

- Snap-off strainer base for easy maintenance
- Pump and switch are stand alone products
- Sealed efficient, long life motors
- Anti-Airlock protection
- Exclusive moisture tight seals
- Marine grade blocked wiring

**BILGE PUMP & FLOAT SWITCH SFBP1-G1100-15**

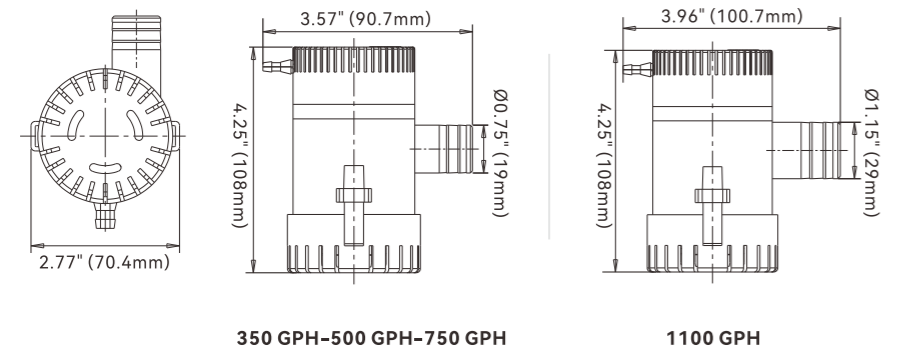


1100GPH, 12V Max.20A Blister

**BILGE PUMP & FLOAT SWITCH SFBP1-G1100-16**



1100GPH, 12V Max.18A Blister



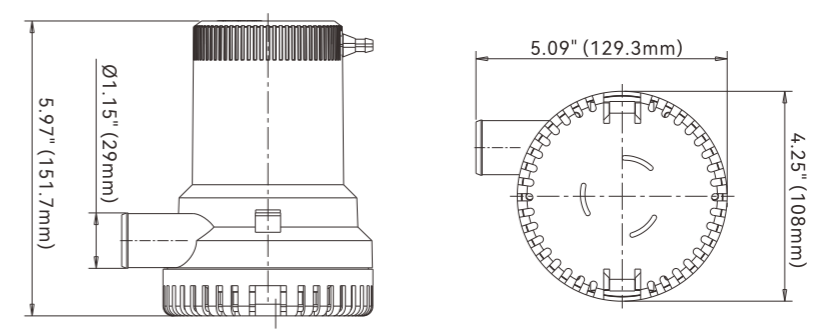
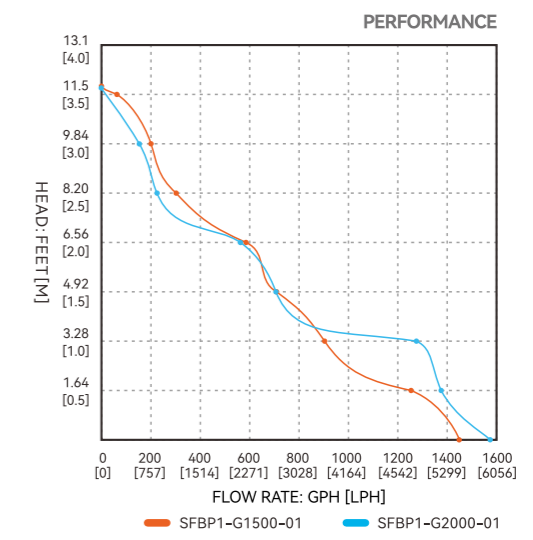
**Standard Pump Configurations**

Model	Flow rate	Volts	Current	Head	Wire lead	Outlet Dia.	N.W./G.W.
SFBP1-G350-01	350 GPH	12V	1.0A	3 m / 10'	1 m / 3'	3/4" (19 mm)	0.33/0.40 kg
SFBP1-G500-01	500 GPH	12V	1.6A	3 m / 10'	1 m / 3'	3/4" (19 mm)	0.33/0.40 kg
SFBP2-G500-01	500 GPH	24V	1.2A	3 m / 10'	1 m / 3'	3/4" (19 mm)	0.33/0.40 kg
SFBP1-G750-01	750 GPH	12V	2.5A	3 m / 10'	1 m / 3'	3/4" (19 mm)	0.33/0.40 kg
SFBP2-G750-01	750 GPH	24V	1.2A	3 m / 10'	1 m / 3'	3/4" (19 mm)	0.33/0.40 kg
SFBP1-G1100-01	1100 GPH	12V	4.0A	4 m / 13'	1 m / 3'	1-1/8" (29 mm)	0.38/0.44 kg
SFBP2-G1100-01	1100 GPH	24V	2.5A	4 m / 13'	1 m / 3'	1-1/8" (29 mm)	0.38/0.44 kg

**Non-automatic Bilge Pumps 01 Series 1500/2000 GPH**

**FEATURES & BENEFITS**

- CE, RoHS, ISO 8846, ISO 8849 standards
- Traditional operation by switch or float switch
- Entirely Submersible
- Run dry capable for workloads
- Quiet operation
- Stainless steel shaft
- Snap-off strainer base for easy maintenance
- Pump and switch are stand alone products
- Sealed efficient, long life motors
- Anti-Airlock protection
- Exclusive moisture tight seals
- Marine grade blocked wiring



**Standard Pump Configurations**

Model	Flow rate	Volts	Current	Head	Wirelead	Outlet Dia.	N.W./G.W.
SFBP1-G1500-01	1500 GPH	12V	8.0A	5 m / 16'	1 m / 3'	1-1/8" (29 mm)	1.13/1.21 kg
SFBP2-G1500-01	1500 GPH	24V	4.0A	5 m / 16'	1 m / 3'	1-1/8" (29 mm)	1.13/1.21 kg
SFBP1-G2000-01	2000 GPH	12V	8.5A	6 m / 19'	1 m / 3'	1-1/8" (29 mm)	1.13/1.21 kg
SFBP2-G2000-01	2000 GPH	24V	5.0A	6 m / 19'	1 m / 3'	1-1/8" (29 mm)	1.13/1.21 kg



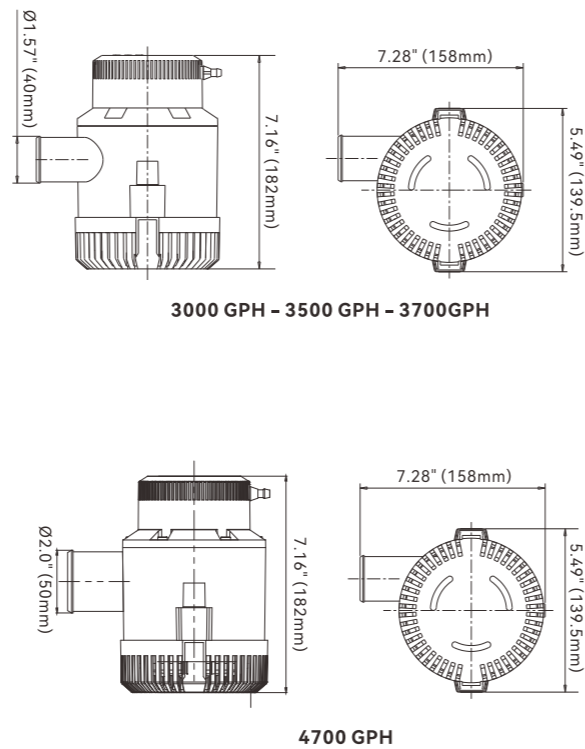
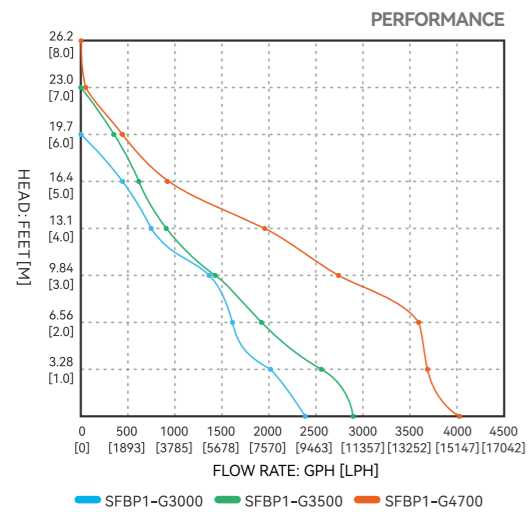
BILGE PUMPS

BILGE PUMPS

**Non-automatic Bilge Pumps 01 Series 3000/3500/3700/4700 GPH**

**FEATURES & BENEFITS**

- CE, RoHS, ISO 8846, ISO 8849 standards
- Traditional operation by switch or float switch
- Entirely Submersible
- Run dry capable for workloads
- Snap-off strainer base for easy maintenance
- Pump and switch are stand alone products
- Quiet operation
- Stainless steel shaft
- Sealed efficient, long life motors
- Anti-Airlock protection
- Exclusive moisture tight seals
- Marine grade blocked wiring



**Standard Pump Configurations**

Model	Flow rate	Volts	Current	Head	Wire lead	Outlet Dia.	N.W./G.W.
SFBP1-G3000-01	3000 GPH	12V	14.0A	8 m / 26'	1 m / 3'	1-1/2" (40 mm)	2.10/2.37 kg
SFBP2-G3000-01	3000 GPH	24V	7.0A	8 m / 26'	1 m / 3'	1-1/2" (40 mm)	2.10/2.37 kg
SFBP1-G3500-01	3500 GPH	12V	16.0A	8 m / 26'	1 m / 3'	1-1/2" (40 mm)	2.10/2.37 kg
SFBP2-G3500-01	3500 GPH	24V	8.0A	8 m / 26'	1 m / 3'	1-1/2" (40 mm)	2.10/2.37 kg
SFBP1-G3700-01	3700 GPH	12V	16.0A	8 m / 26'	1 m / 3'	1-1/2" (40 mm)	2.10/2.37 kg
SFBP2-G3700-01	3700 GPH	24V	8.0A	8 m / 26'	1 m / 3'	1-1/2" (40 mm)	2.10/2.37 kg
SFBP1-G4700-01	4700 GPH	12V	17.0A	8 m / 26'	1 m / 3'	2" (50 mm)	2.10/2.37 kg
SFBP2-G4700-01	4700 GPH	24V	8.5A	8 m / 26'	1 m / 3'	2" (50 mm)	2.10/2.37 kg

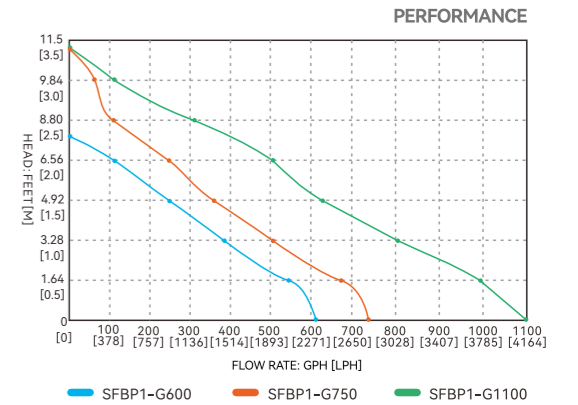
**Electromagnetic Auto Bilge Pumps 600/750/1100 GPH**

**FEATURES & BENEFITS**

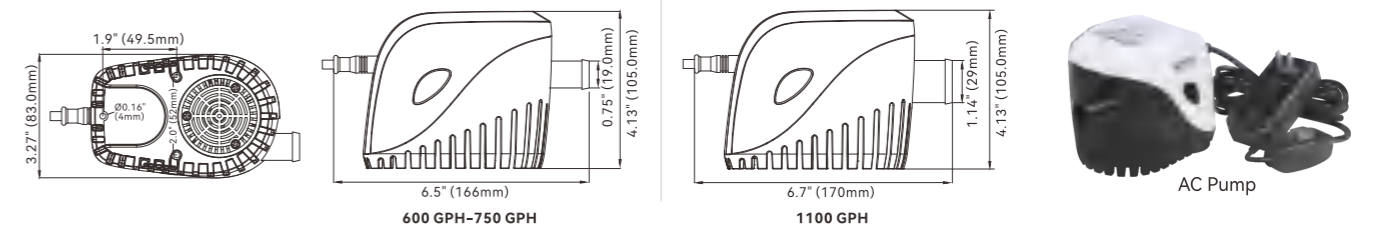
- All-in-one pump & Electromagnetic sensor switch
- Enclosed construction offers advanced reliability
- Allows for effortless installation and service
- With the ability to quick disconnect the power line and the strainer base in seconds
- Proper pump care has never been easier
- Available in 600, 750, and 1100 GPH
- 18 AWG, 1 m long leads

**MOTOR**

- Type**  
Sealed, efficient, long life motor
- Temperature Limits**  
110 °F (43 °C) Max.
- Duty Cycle**  
Intermittent

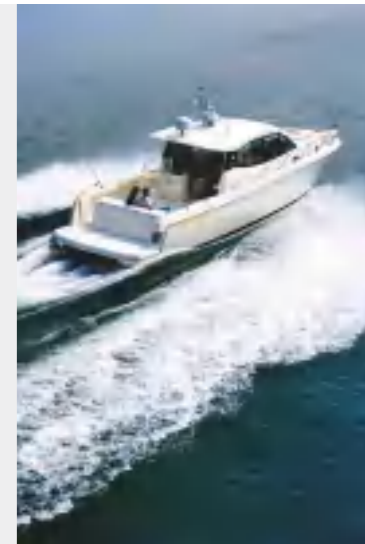


**New innovative quick change feature removes and installs in seconds!**  
No need to disconnect base or plumbing when replacing pump



**Standard Pump Configurations**

Model	Flow rate	Volts	Current	Head	Wire lead	Outlet Dia.	N.W./G.W.
SFBP1-G600-11	600 GPH	12V	2.5 A	2.5 m / 8.0'	1 m / 3.0'	3/4" (19 mm)	0.55/0.6 kg
SFBP2-G600-11	600 GPH	24V	1.5 A	2.5 m / 8.0'	1 m / 3.0'	3/4" (19 mm)	0.55/0.6 kg
SFBP1-G750-11	750 GPH	12V	3.0 A	3.0 m / 10.0'	1 m / 3.0'	3/4" (19 mm)	0.55/0.6 kg
SFBP2-G750-11	750 GPH	24V	1.6 A	3.0 m / 10.0'	1 m / 3.0'	3/4" (19 mm)	0.55/0.6 kg
SFBP1-G1100-11	1100 GPH	12V	4.0 A	4.0 m / 13.0'	1 m / 3.0'	1-1/8" (29 mm)	0.55/0.6 kg
SFBP2-G1100-11	1100 GPH	24V	2.5 A	4.0 m / 13.0'	1 m / 3.0'	1-1/8" (29 mm)	0.55/0.6 kg
SFBPA2-G1100-11	1100 GPH	220V	12.5 A	4.0 m / 13.0'	1 m / 3.0'	1-1/8" (29 mm)	0.97/1.0 kg



**Mechanical Auto Bilge Pumps 600/750/1100 GPH**

**FEATURES & BENEFITS**

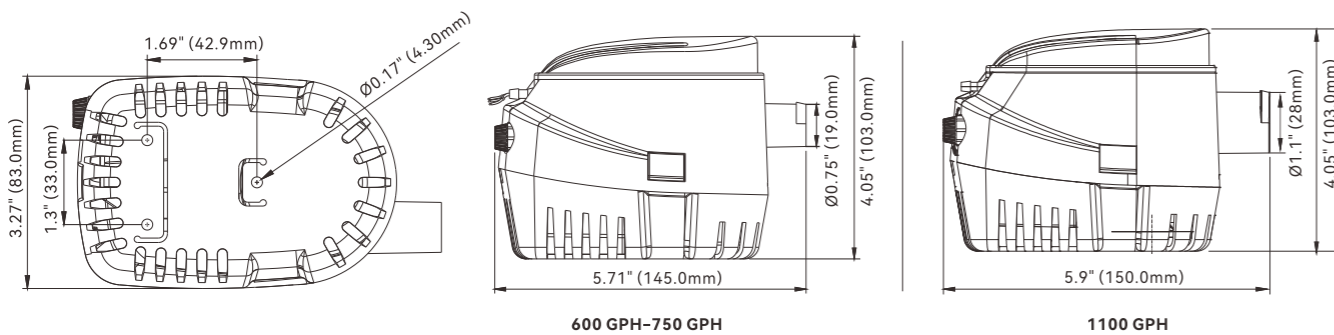
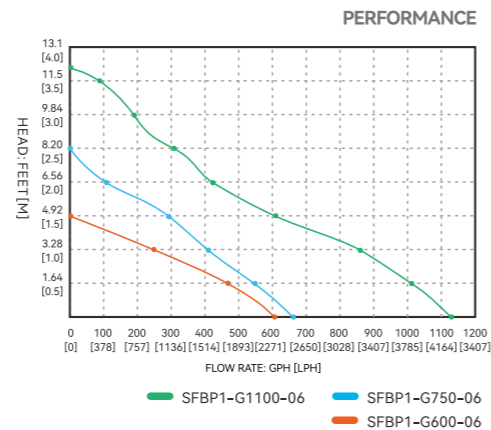
- All-in-one pump & switch-No float switch required
- Pump turns on when water level rises & shuts off when water is removed
- Will not pump oil-straight motor oil that enters the bilge will not turn the pump on
- Snap-off strainer for easy cleaning
- Anti-fouling impeller
- 18 AWG, 1 m long Leads

**MOTOR**

**Type**  
Sealed, efficient, long life motor

**Temperature Limits**  
110 °F (43 °C) Max.

**Duty Cycle**  
Intermittent



**Standard Pump Configurations**

Model	Flow rate	Volts	Current	Head	Wire lead	Outlet Dia.	N.W./G.W.
SFBP1-G600-06	600 GPH	12V	2.5 A	2.5 m / 8.0'	1 m / 3.0'	3/4" (19 mm)	0.47/0.52 kg
SFBP2-G600-06	600 GPH	24V	1.5 A	2.5 m / 8.0'	1 m / 3.0'	3/4" (19 mm)	0.47/0.52 kg
SFBP1-G750-06	750 GPH	12V	3.0 A	3.0 m / 10.0'	1 m / 3.0'	3/4" (19 mm)	0.47/0.52 kg
SFBP2-G750-06	750 GPH	24V	1.6 A	3.0 m / 10.0'	1 m / 3.0'	3/4" (19 mm)	0.47/0.52 kg
SFBP1-G1100-06	1100 GPH	12V	4.0 A	4.0 m / 13.0'	1 m / 3.0'	1-1/8" (29 mm)	0.55/0.60 kg
SFBP2-G1100-06	1100 GPH	24V	2.5 A	4.0 m / 13.0'	1 m / 3.0'	1-1/8" (29 mm)	0.55/0.60 kg

**Shower Sump Pump System 600/750 GPH**

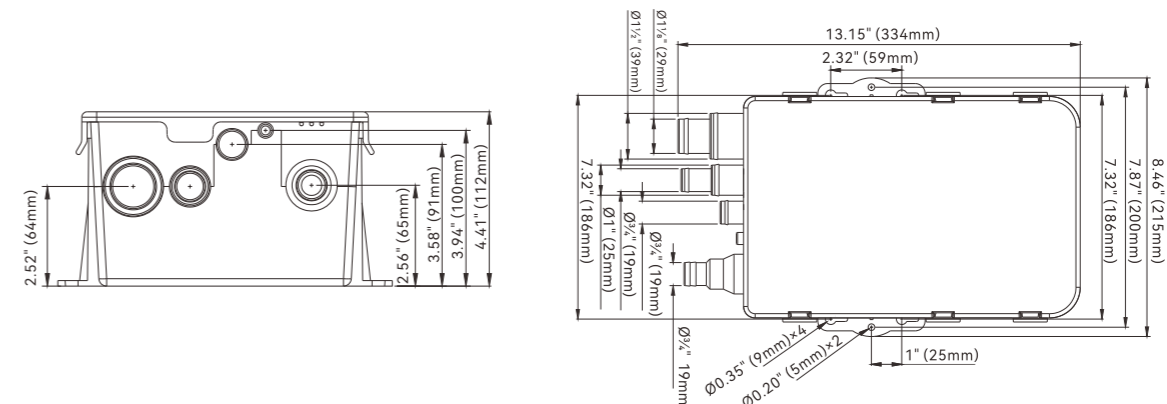
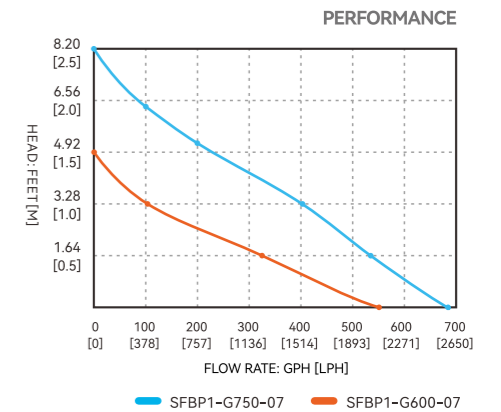
**FEATURES & BENEFITS**

- Removable mesh filter allows easy cleaning
- Clear screw-down cover
- Check valve on outlet
- Ignition protected
- Handles waste water from more than one tapping point
- Easy installation
- Multiple inlet ports for versatile usage
- 18 AWG, 1 m long Leads

**MOTOR**

**Type**  
Sealed, efficient, long life motor

**Duty Cycle**  
Intermittent



**Standard Pump Configurations**

Model	Flow rate	Volts	Current	Head	Wire lead	Outlet Dia.	N.W./G.W.
SFBP1-G600-07	600 GPH	12 V	2.5 A	2.5 m / 8.0'	1 m / 3.0'	3/4" (19 mm)	1.17/1.35 kg
SFBP2-G600-07	600 GPH	24 V	1.5 A	2.5 m / 8.0'	1 m / 3.0'	3/4" (19 mm)	1.17/1.36 kg
SFBP1-G750-07	750 GPH	12 V	3.0 A	3.0 m / 10.0'	1 m / 3.0'	3/4" (19 mm)	1.17/1.37 kg
SFBP2-G750-07	750 GPH	24 V	1.6 A	3.0 m / 10.0'	1 m / 3.0'	3/4" (19 mm)	1.17/1.38 kg

## Auto Bilge Pump 800 / 1200 GPH

### FEATURES & BENEFITS

- Compact, all-in-one unit
- Capacitive coupling sensing switch, trouble-free and automatic operation
- Pump turns on when water level rises & shuts off when water is removed
- Snap-off strainer for easy cleaning

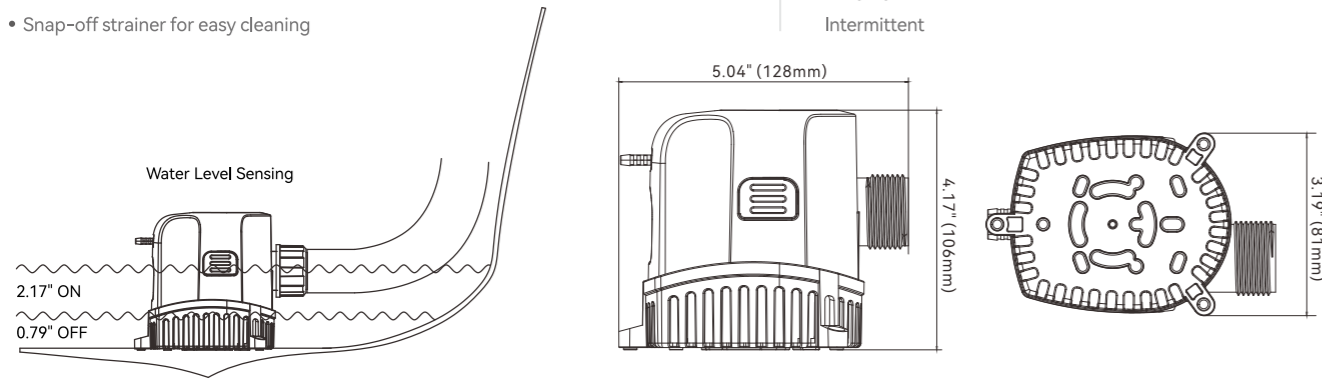
- Removable check valve
- Ignition protected
- Easy-to-install

### MOTOR

**Type**  
Sealed, efficient, long life motor

**Temperature Limits**  
110 °F (43 °C) Max.

**Duty Cycle**  
Intermittent



## Auto Bilge Pump 1500 / 2000 GPH

### FEATURES & BENEFITS

- Compact, all-in-one unit
- Capacitive coupling sensing switch, trouble-free and automatic operation
- Pump turns on when water level rises & shuts off when water is removed
- Snap-off strainer for easy cleaning

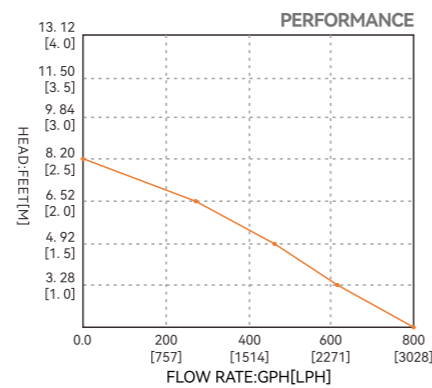
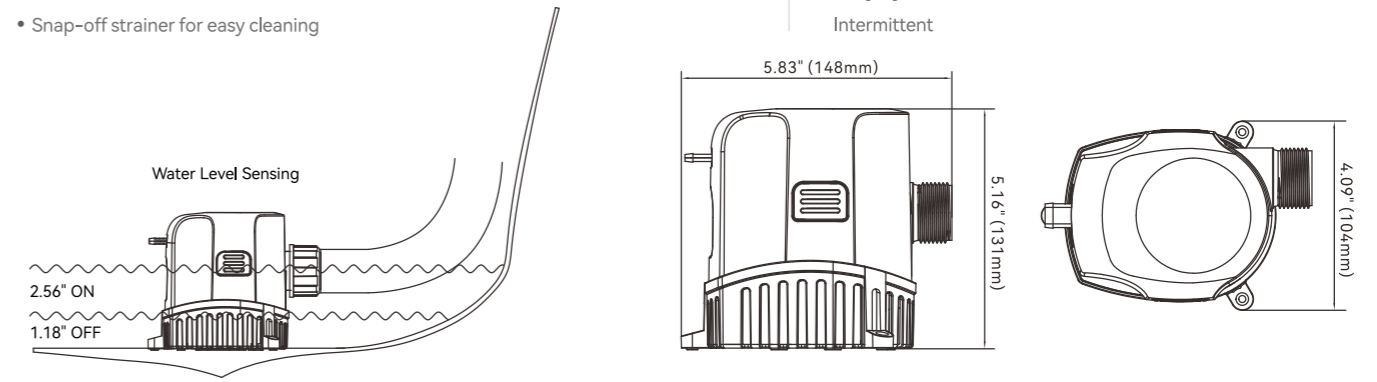
- Removable check valve
- Ignition protected
- Easy-to-install

### MOTOR

**Type**  
Sealed, efficient, long life motor

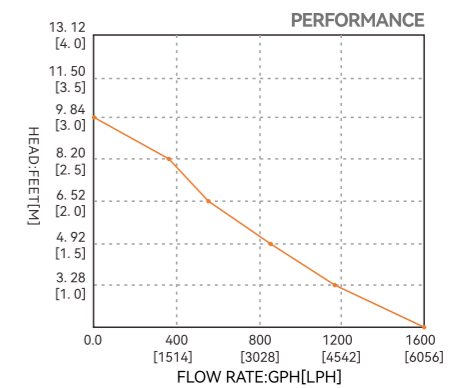
**Temperature Limits**  
110 °F (43 °C) Max.

**Duty Cycle**  
Intermittent



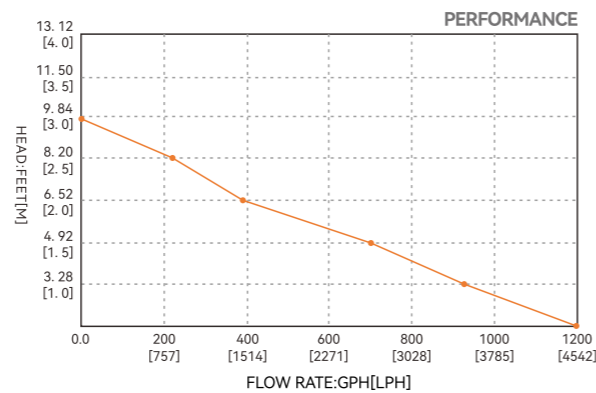
### Standard Pump Configurations

Model	Flow rate	Volts	Current	Head	Wire lead	Outlet Dia.	N.W./G.W.
SFBP1-G800-17	800 GPH	12V	3A	2.5 m / 8.0'	1 m / 3.0'	3/4"(19mm) 1-1/8"(29mm)	0.54/0.59 kg
SFBP2-G800-17	800 GPH	24V	1.5A	2.5 m / 8.0'	1 m / 3.0'	3/4"(19mm) 1-1/8"(29mm)	0.54/0.59 kg



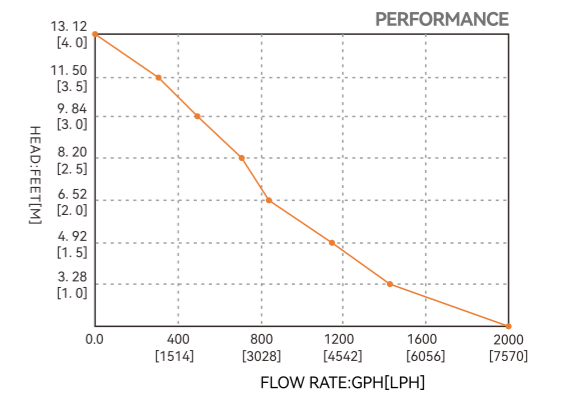
### Standard Pump Configurations

Model	Flow rate	Volts	Current	Head	Wire lead	Outlet Dia.	N.W./G.W.
SFBP1-G1500-17	1500 GPH	12V	7A	3m / 10.0'	1 m / 3.0'	1-1/8"(29mm)	0.81/0.86 kg
SFBP2-G1500-17	1500 GPH	24V	3.5A	3m / 10.0'	1 m / 3.0'	1-1/8"(29mm)	0.81/0.86 kg



### Standard Pump Configurations

Model	Flow rate	Volts	Current	Head	Wire lead	Outlet Dia.	N.W./G.W.
SFBP1-G1200-17	1200 GPH	12V	4A	3 m / 10.0'	1 m / 3.0'	1"(25mm) 1-1/8"(29mm)	0.54/0.59 kg
SFBP2-G1200-17	1200 GPH	24V	2A	3 m / 10.0'	1 m / 3.0'	1"(25mm) 1-1/8"(29mm)	0.54/0.59 kg



### Standard Pump Configurations

Model	Flow rate	Volts	Current	Head	Wire lead	Outlet Dia.	N.W./G.W.
SFBP1-G2000-17	2000 GPH	12V	9A	4 m / 13.0'	1 m / 3.0'	1-1/8"(29mm)	0.81/0.86 kg
SFBP2-G2000-17	2000 GPH	24V	4.5A	4 m / 13.0'	1 m / 3.0'	1-1/8"(29mm)	0.81/0.86 kg



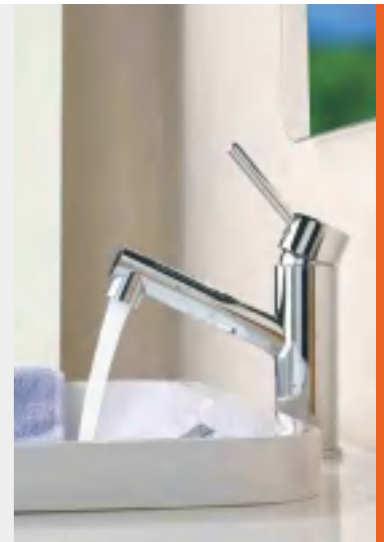
Blister

**FEATURES & BENEFITS**

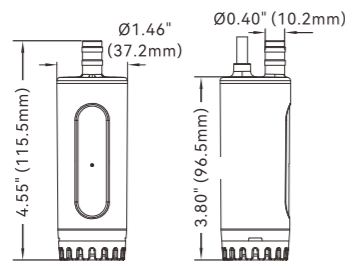
- Quiet and vibration less operation
- Completely submersible
- With automatic ventilation
- Suitable for short dry runs
- Small size and light weight
- Easy to clean
- LFGB food grade certification



PE Bag

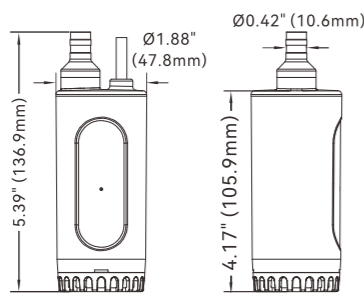


**Low Voltage Submersible Pump 02 Series** 12/15/18/21/25 LPM



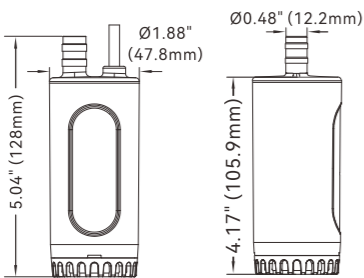
12LPM / 15LPM

Model	SFSP1-L012-02	SFSP1-L015-02
Voltage	12V	12V
Max Amps	5.5 A	6.0 A
Flow rate	12 LPM	15 LPM
Bar	0.8 bar	1.0 bar
Head	8m / 26'	11m / 36'
Wire Lead	1 m / 3'	1 m / 3'
Features	Ventilation	Ventilation



18LPM / 21LPM

Model	SFSP1-L018-02	SFSP1-L021-02
Voltage	12V	12V
Max Amps	8.0 A	10.0 A
Flow rate	18 LPM	21 LPM
Bar	1.2 bar	2.1 bar
Head	12m / 39'	16m / 52'
Wire Lead	1 m / 3'	1 m / 3'
Features	Ventilation, Check valve, Dry running protection	



25LPM

Model	SFSP1-L025-02
Voltage	12V
Max Amps	10.0 A
Flow rate	25 LPM
Bar	2.1 bar
Head	16m / 52'
Wire Lead	1 m / 3'
Features	Ventilation, Check valve, Dry running protection

**Low Voltage Submersible Pump 01 Series** 12/16 LPM

**FEATURES & BENEFITS**

- Pumps up to 18 vertical feet
- 1/2" Outlet
- Ideal for backup battery sump
- Quiet and vibrationless operation
- Completely submersible
- 18 AWG, 1 m long Leads

**PUMP**

**Priming Capabilities**

Flooded suction

**Power**

2.8 amps max current draw

**Flow**

3.2 & 5.0 GPM Models Available

**MOTOR**

**Type**

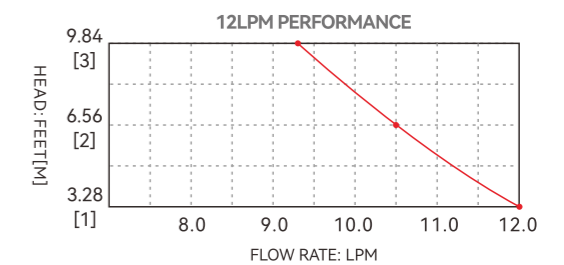
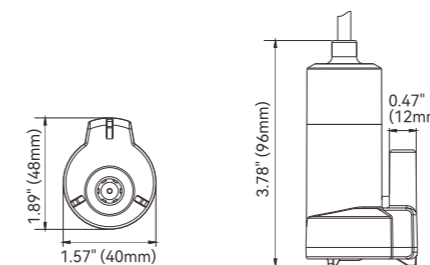
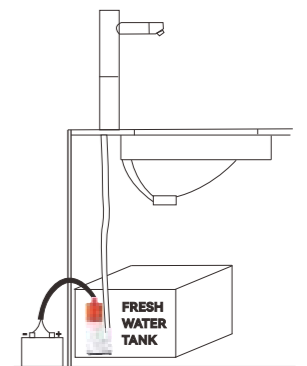
Compact, efficient, long life motor

**Temperature Limits**

110 °F (43 °C) Max.

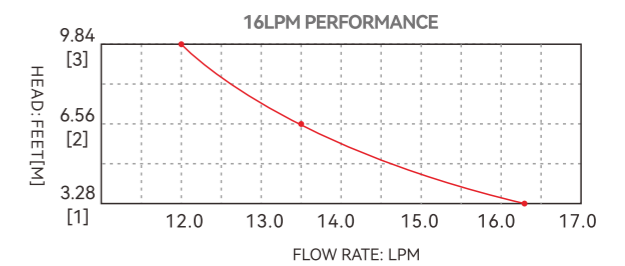
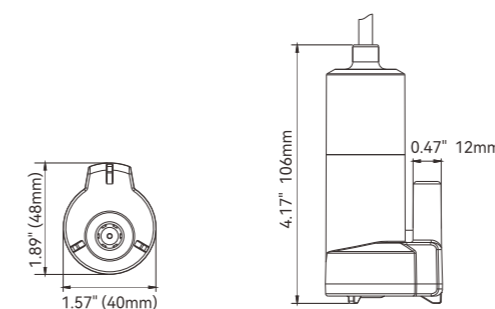
**Duty Cycle**

Intermittent (30 minutes)



**Standard Pump Configurations**

Model	Voltage	Max Amps	Flow rate	Bar	Head	Wire Lead	Outlet Dia.	N.W./G.W.
SFSP1-L012-01	12V	2.0 A	12 LPM	0.6 bar	5 m / 16.4'	1 m / 3'	1/2" (12 mm)	0.16 / 0.18 kg



**Standard Pump Configurations**

Model	Voltage	Max Amps	Flow rate	Bar	Head	Wire Lead	Outlet Dia.	N.W./G.W.
SFSP1-L016-01	12V	4.5 A	16 LPM	0.6 bar	6 m / 19.7'	1 m / 3'	1/2" (12 mm)	0.24 / 0.26 kg

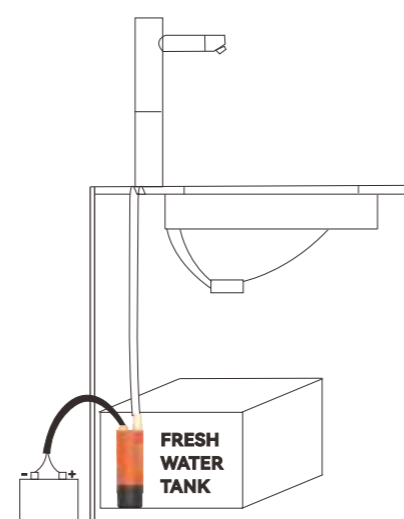
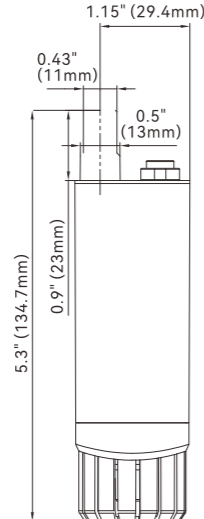
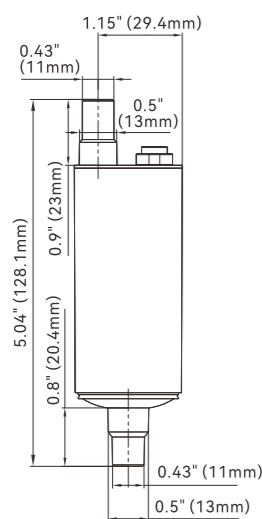
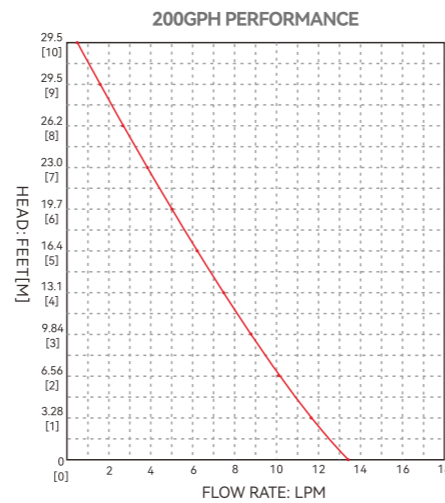


Blister

### Submersible And Line Pump 200 GPH

#### FEATURES & BENEFITS

- Able to pump 80 °C sea water
- Able to run about 20 minutes
- Portable to carry on
- Easy installation
- Intermittent duty



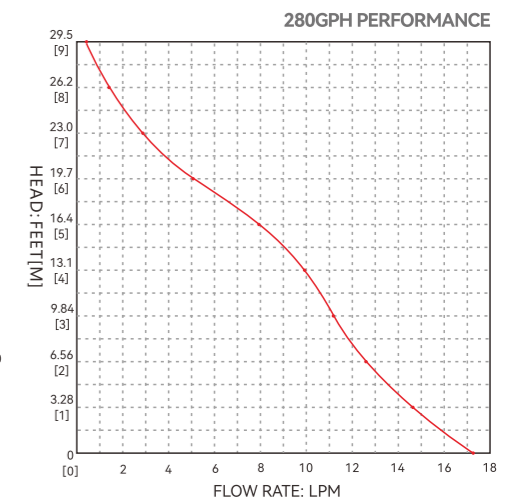
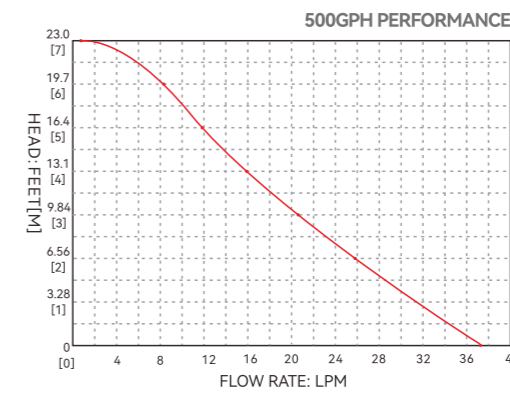
#### Standard Pump Configurations

Model	Flow Rate	Voltage	Max Draw	Fuse Amps	Head	Wire Lead	Outlet Dia.
SFSP1-G200-03B	200 GPH	12 V	4.5 A	7.5 A	5 m / 16.4'	1 m / 3'	2/5" / 1/2"

### Submersible And Line Pump 280/500 GPH

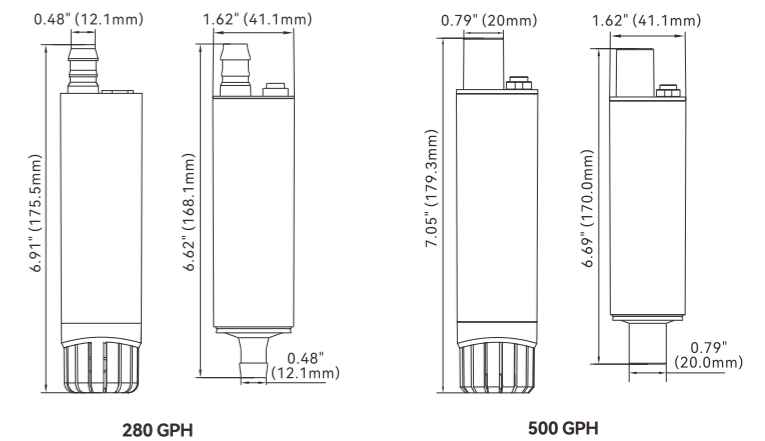
#### FEATURES & BENEFITS

- Able to pump 40 °C diesel , 80 °C sea water
- Able to run about 20 minutes
- Portable to carry on
- Easy installation
- Intermittent duty
- "A" refers to 5m leads with clip,  
"B" refers to 1m leads



Blister

Can be split to use



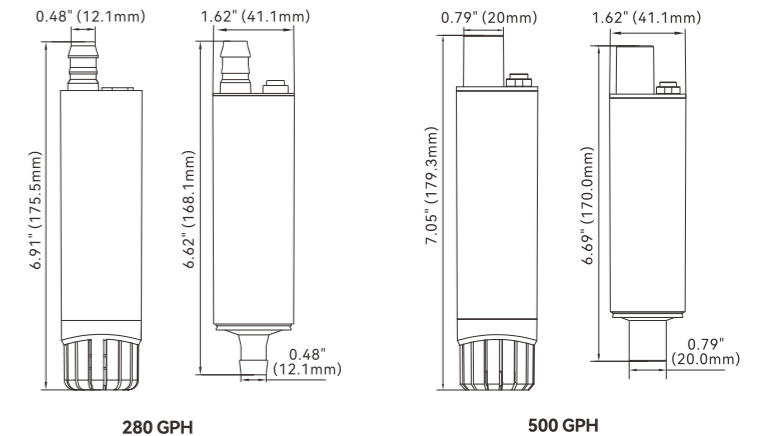
#### standard pump configurations

Model	Flow Rate	Voltage	Max Draw	Fuse Amps	Head	Wire Lead	Outlet Dia.
SFSP1-G280-02A	280 GPH	12V	4.5A	7.5A	7 m / 23'	5 m / 16'	1/2"
SFSP1-G500-02A	500 GPH	12V	4.5A	7.5A	7 m / 23'	5 m / 16'	3/4"



Blister

Can be split to use



#### standard pump configurations

Model	Flow Rate	Voltage	Max Draw	Fuse Amps	Head	Wire Lead	Outlet Dia.
SFSP1-G280-02B	280 GPH	12V	4.5A	7.5A	7 m / 23'	1 m / 3'	1/2"
SFSP1-G500-02B	500 GPH	12V	4.5A	7.5A	7 m / 23'	1 m / 3'	3/4"

NEW



NEW

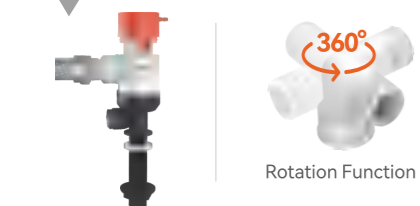


### Livewell-baitwell Pumps 13C Series 800/1100 GPH

#### FEATURES & BENEFITS

- Discharge nozzle can be rotated 360 degrees for optimal installation
- Pump housing can rotate 360 degrees to allow positioning of the discharge outlet
- Dual port fitting for optional washdown pump
- Includes removable discharge straight and elbow fittings
- Quick one hand "push button" motor cartridge removal system
- Anti-Airlock protection

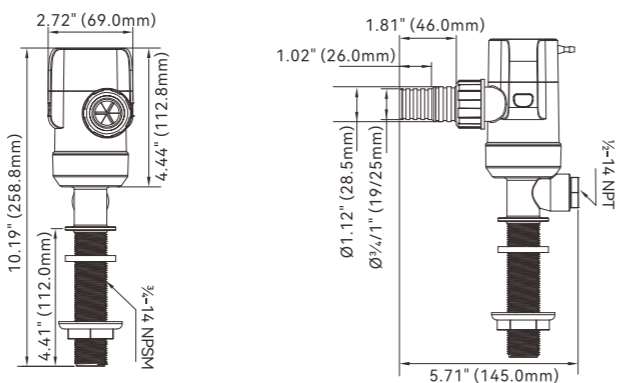
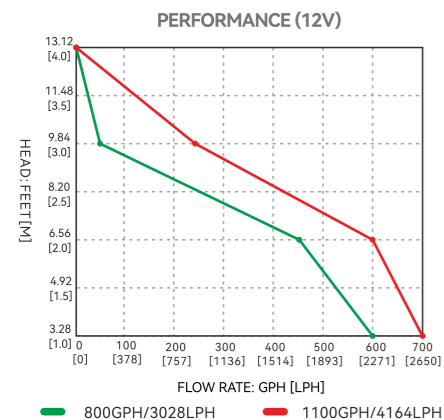
Split quick-connect joint design no need to disconnect base or plumbing when replacing pump.



Rotation Function



Pump Body Rotation Function



#### Standard Pump Configurations

Pump Model	Motor Model	Flowrate	Volts	Current	Head	Wire Lead	Outlet Dia.	N.W./G.W.
SFBP1-G800-13C	SFMA1-G800-13A	800GPH	12V	3.5A	3m / 9ft	3' (1 m)	3/4" (19mm)	0.55KG/0.60KG
SFBP2-G800-13C	SFMA2-G800-13A	800GPH	24V	2.0A	3m / 9ft	3' (1 m)	1/2" (29mm)	0.55KG/0.60KG
SFBP1-G1100-13C	SFMA1-G1100-13A	1100GPH	12V	4.0A	4m / 12ft	3' (1 m)	1" (25mm)	0.55KG/0.60KG
SFBP2-G1100-13C	SFMA2-G1100-13A	1100GPH	24V	2.5A	4m / 12ft	3' (1 m)	1/2" (29mm)	0.55KG/0.60KG

### Livewell-baitwell Pumps 13E Series 800/1100 GPH

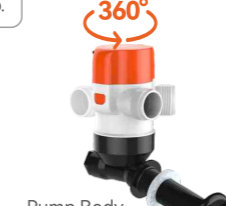
#### FEATURES & BENEFITS

- Pump housing can rotate 360 degrees to allow positioning of the discharge outlet
- Discharge nozzle can be rotated 360 degrees for optimal installation
- Dual port fitting for optional washdown pump
- Quick one hand "push button" motor cartridge removal system
- Includes removable discharge straight and elbow fittings
- Anti-Airlock protection

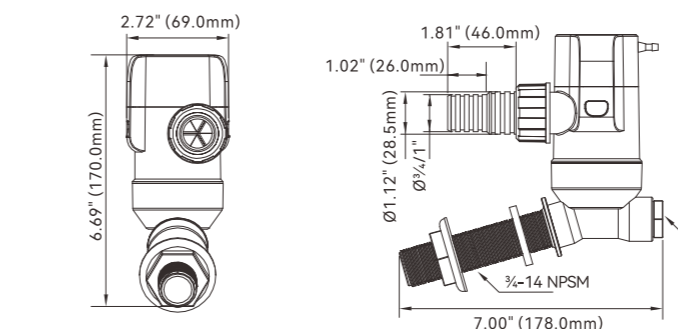
Split quick-connect joint design no need to disconnect base or plumbing when replacing pump.



Rotation Function

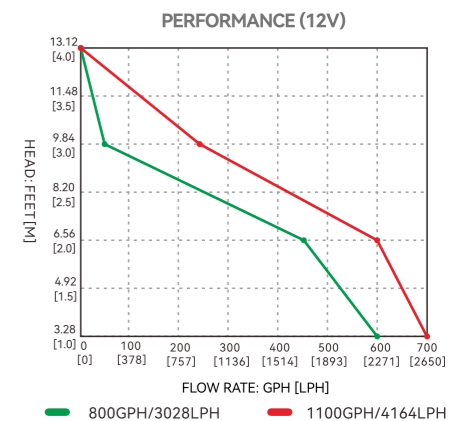


Pump Body Rotation Function



#### Standard Pump Configurations

Pump Model	Motor Model	Flowrate	Volts	Current	Head	Wire Lead	Outlet Dia.	N.W./G.W.
SFBP1-G800-13E	SFMA1-G800-13A	800GPH	12V	3.5A	3m / 9ft	3' (1 m)	3/4" (19mm)	0.55KG/0.60KG
SFBP2-G800-13E	SFMA2-G800-13A	800GPH	24V	2.0A	3m / 9ft	3' (1 m)	1/2" (29mm)	0.55KG/0.60KG
SFBP1-G1100-13E	SFMA1-G1100-13A	1100GPH	12V	4.0A	4m / 12ft	3' (1 m)	1" (25mm)	0.55KG/0.60KG
SFBP2-G1100-13E	SFMA2-G1100-13A	1100GPH	24V	2.5A	4m / 12ft	3' (1 m)	1/2" (29mm)	0.55KG/0.60KG





**NEW**



Blister



Check Valve



Standard Straight Fitting  
1" (25mm) or  
1-1/8" (29mm)



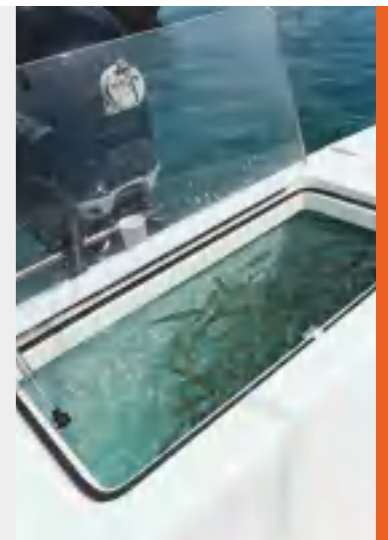
Elbow Fitting  
1-1/8" (29mm)



**NEW**



Blister



### Livewell-baitwell Pumps 13D Series 800/1100 GPH

#### FEATURES & BENEFITS

- Pump housing can rotate 360 degrees to allow positioning of the discharge outlet
- Discharge nozzle can be rotated 360 degrees for optimal installation
- Dual port fitting for optional washdown pump
- Quick one hand "push button" motor cartridge removal system
- Includes removable discharge straight and elbow fittings
- Anti-Airlock protection

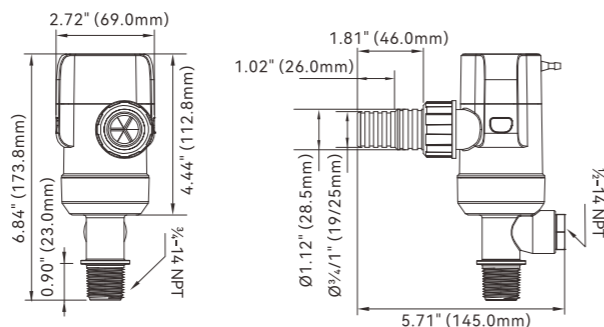
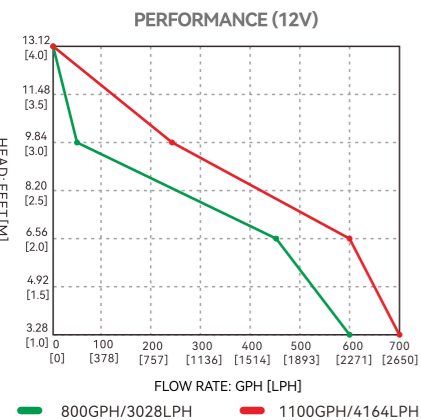
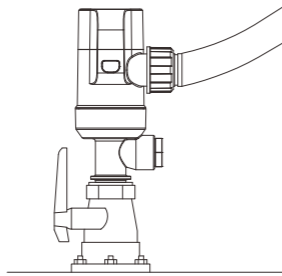
Split quick-connect joint design no need to disconnect base or plumbing when replacing pump.



Rotation Function



Pump Body  
Rotation Function



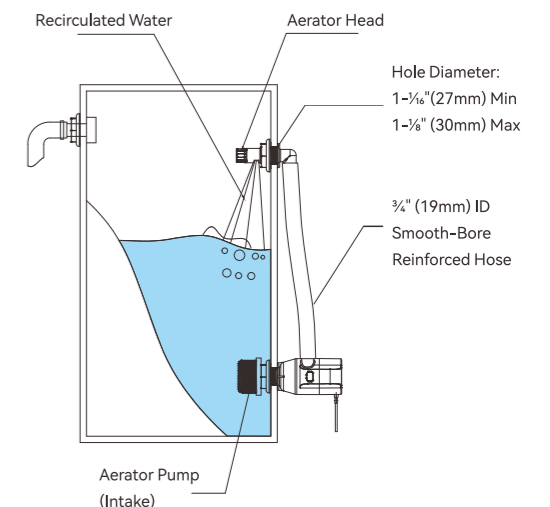
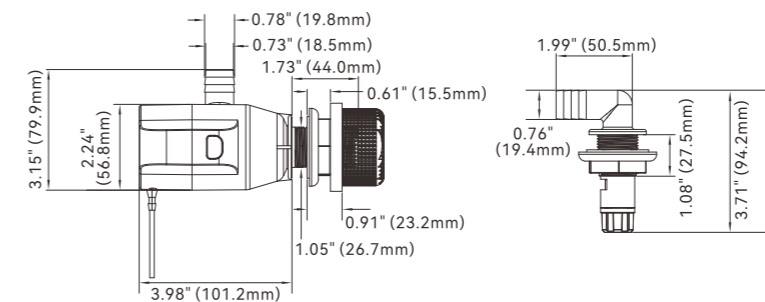
#### Standard Pump Configurations

Pump Model	Motor Model	Flow rate	Volts	Current	Head	Wire Lead	Outlet Dia.	NW/GW.
SFBP1-G800-13D	SFMA1-G800-13A	800GPH	12V	3.0A	3m/9'	3' (1 m)	3/4" (19mm)	0.50KG/0.55KG
SFBP2-G800-13D	SFMA2-G800-13A	800GPH	24V	1.6A	3m/9'	3' (1 m)	1 1/8" (29mm)	0.50KG/0.55KG
SFBP1-G1100-13D	SFMA1-G1100-13A	1100GPH	12V	3.5A	4m/12'	3' (1 m)	1" (25mm)	0.50KG/0.55KG
SFBP2-G1100-13D	SFMA2-G1100-13A	1100GPH	24V	1.8A	4m/12'	3' (1 m)	1 1/8" (29mm)	0.50KG/0.55KG

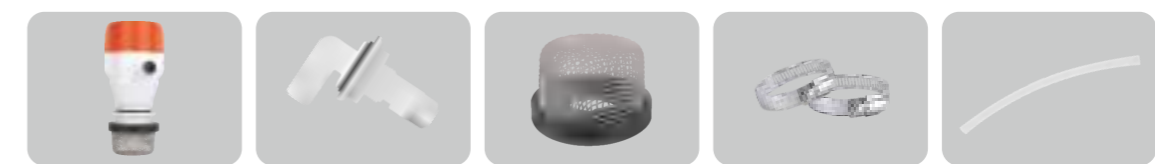
### Portable Livewell Aerator Kit 13F Series 600/800 GPH

#### FEATURES & BENEFITS

- Motor can be sold separately
- Discharge nozzle can be rotated 360 degrees for optimal installation
- Quick one hand "push button" motor cartridge removal system
- Includes Aerator spray head and Stainless Steel strainer
- Flow: 600 & 800 gph in 12 volt version
- Marine grade blocked wiring
- Entirely submersible
- Quiet and vibration-less operation



#### INCLUDED



600/800 GPH  
Livewell pump

Aerator spray head

Stainless Steel strainer

hose clamps

3/4" diameter x  
23" long poly hose

#### SFASH1-01 Aerator Spray Head (Sold separately)



For use on livewells that have built-in overflows or recirculating systems

#### Standard Pump Configurations

Pump Model	Motor model	Voltage	Flow rate	Current	Outlet Dia.
SFBP1-G600-13F	SFMA1-G600-13A	12V	600GPH	2.4A	3/4" (19mm)
SFBP1-G800-13F	SFMA1-G800-13A	12V	800GPH	3.5A	3/4" (19mm)

BILGE PUMPS

**NEW**



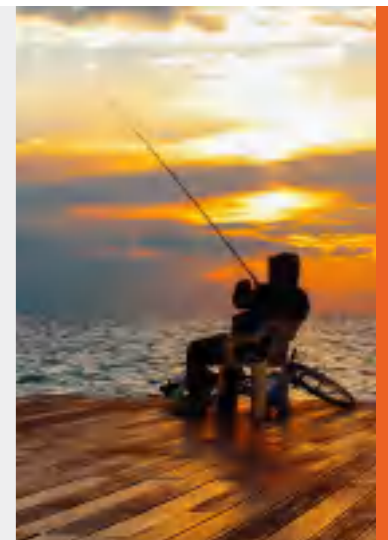
Color Box



**NEW**



Color Box

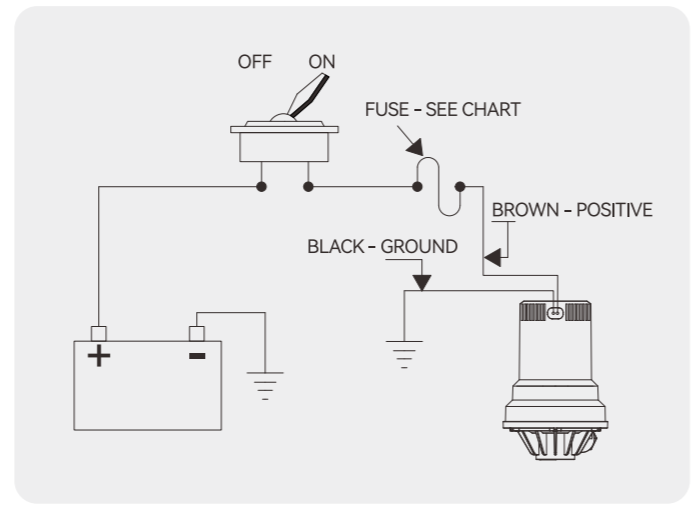
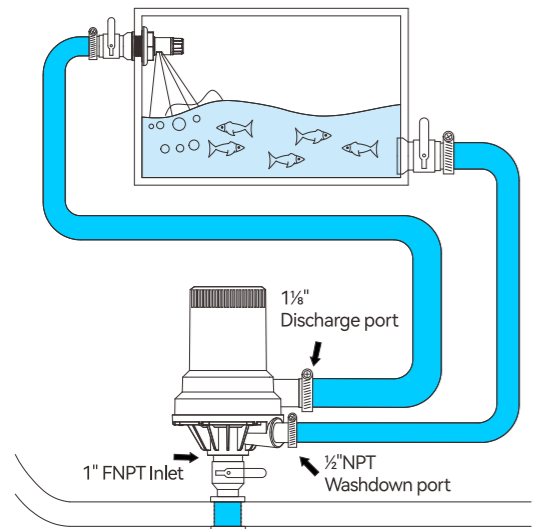
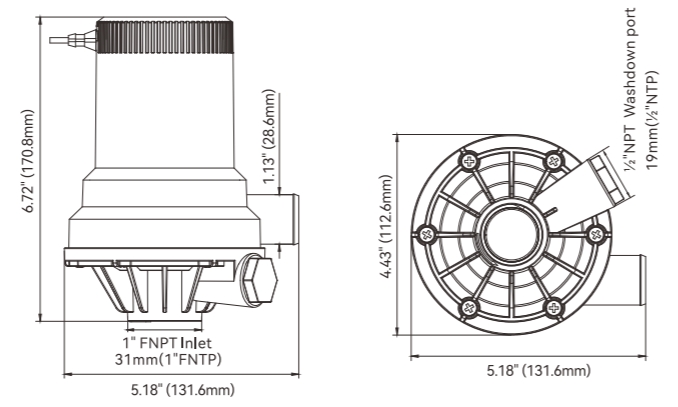


BILGE PUMPS

**Dual Port Livewell Pump 1600 GPH**

**FEATURES & BENEFITS**

- 1600 GPH (6054 LPH) dual port, 12V & 24V
- Dual port base design for easy customer selection
- Silent and vibration-free operation
- Easy to install and remove for cleaning
- Anti-airlock feature, heavy-duty long-life motor
- Can be easily installed into any valve fitting with 1" NPT male thread



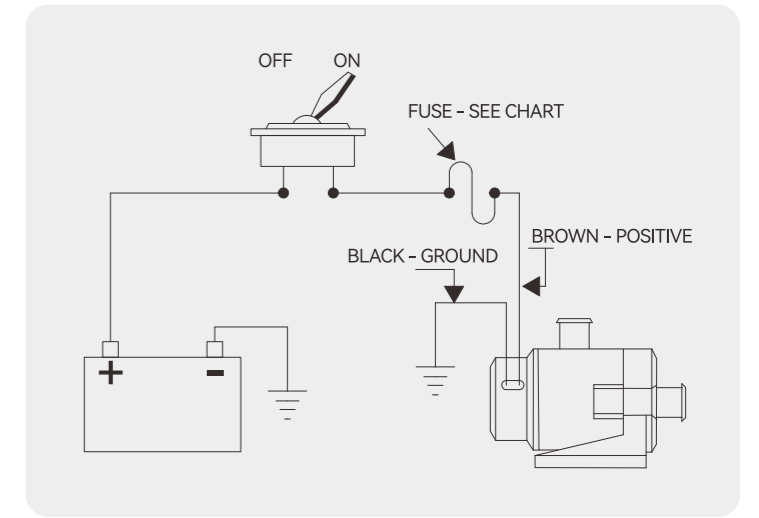
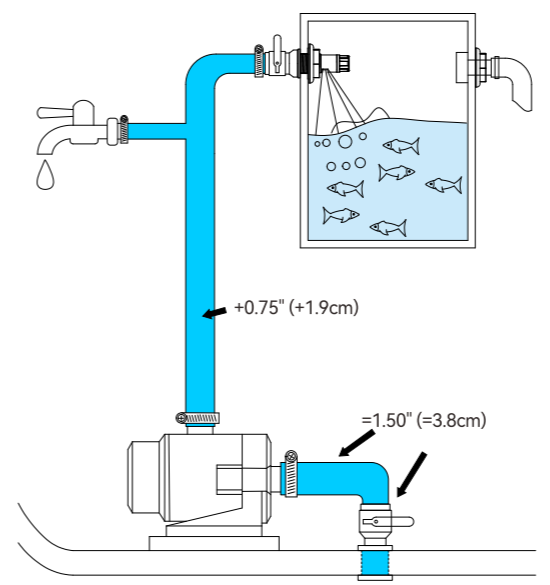
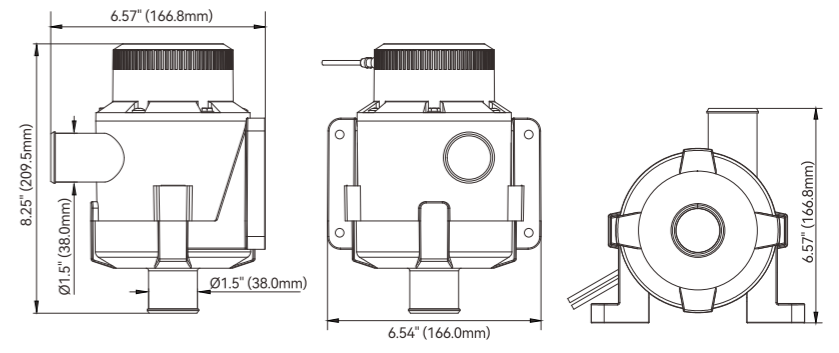
**Standard Pump Configurations**

Model	Flow rate (GPH/LPH)	Volts	Amp Draw	Head	Inlet Ports	Outlet Port
SFBP1-G1600-01A	1600 / 6057	12V	8.4A	13.77' (4.2m)	1" NPT / 31mm	1/4" and 1/2" NPT
SFBP2-G1600-01A	1600 / 6057	24V	4.2A	13.77' (4.2m)	1" NPT / 31mm	1/4" and 1/2" NPT

**General Purpose Pump 3800 GPH**

**FEATURES & BENEFITS**

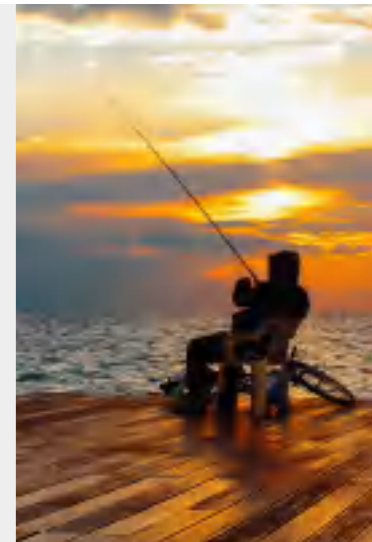
- Easy to install and remove for cleaning
- Compact, efficient and long-life motor
- Entirely Submersible
- Rust and corrosion proof
- Silent and vibration-free operation
- Shock-absorbing reinforced base
- Anti-Airlock protection
- 1.5" (38mm) Discharge port



**Standard Pump Configurations**

Model	Flow rate (GPH/LPH)	Volts	Amp Draw	Fuse Size	Head	Ports
SFBP1-G3800-01A	3800/14383	12V	15.5A	25A	17.38' (5.3m)	1/2" / 38mm
SFBP2-G3800-01A	3800/14383	24V	6.9A	15A	17.38' (5.3m)	1/2" / 38mm

BILGE PUMPS



BILGE PUMPS

**Portable Aerator Kit 350 GPH**

**FEATURES & BENEFITS**

- Aerates from 5 to 30 gallons (19 to 113 liters) of water.
- The SEAFLO 350 GPH (1325 LPH) pump attaches easily to any non-porous surface.
- 9.4" (240 mm) long spray tube can be custom cut to fit into any container.
- A fully adjustable spray head increases or reduces flow of water.
- Foam filtration system keeps water sparkling clean.
- The kit also includes battery clips for easy attachment to your 12 volt power source.
- 18 AWG, 1 m Long Leads

**MOTOR**

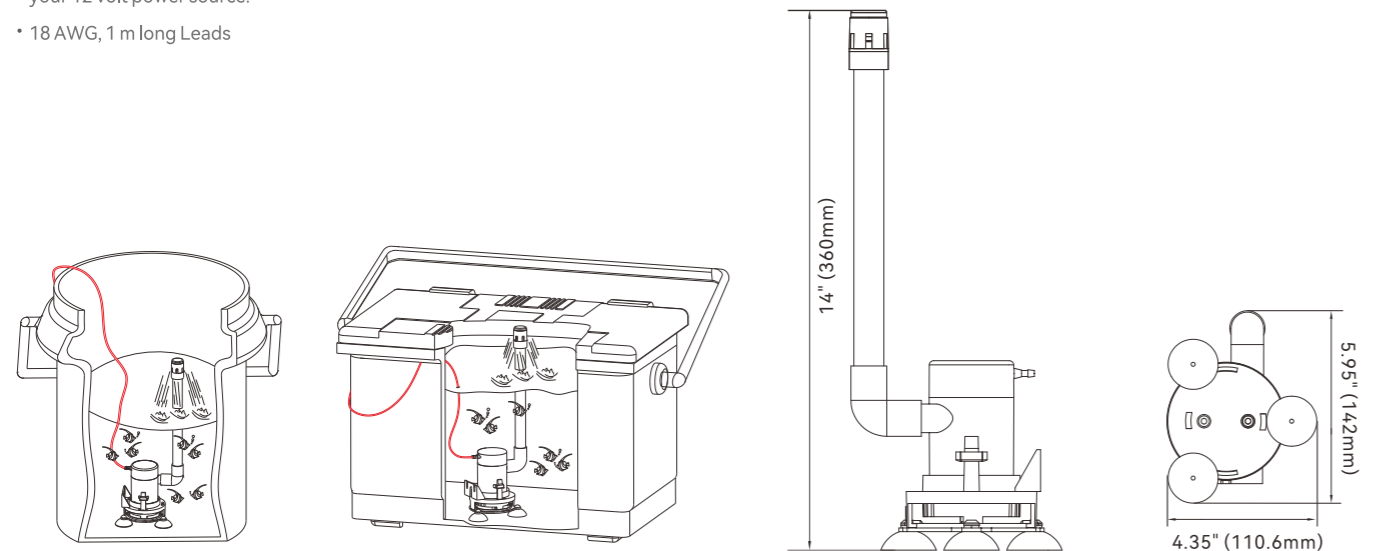
**Type**  
Compact, efficient, long life motor

**Temperature Limits**  
110 °F (43 °C) Max.

**Duty Cycle**  
Intermittent

**Voltage**  
12 V

**Standard Accessories**



Standard Pump Configurations

Model	Flow rate	Volts	Current	Head	Wirelead	Outlet Dia.	N.W./G.W.
SFBP1-G350-09	350 GPH	12 V	1.0 A	1.5 m / 5'	1 m / 3'	3/4" (19mm)	0.32 / 0.42 kg

**Portable Aerator Kit 350 GPH**

**FEATURES & BENEFITS**

- Aerates from 5 to 30 gallons (19 to 113 liters) of water.
- The SEAFLO 350 GPH (1325 LPH) pump attaches easily to any non-porous surface.
- 6.3" (160 mm) long spray tube, 13.8" (350 mm) hosepipe can be custom cut to fit into any container.
- A fully adjustable spray head increases or reduces flow of water.
- Foam filtration system keeps water sparkling clean.
- The kit also includes battery clips for easy attachment to your 12 volt power source.
- 18 AWG, 1 m Long Leads

**MOTOR**

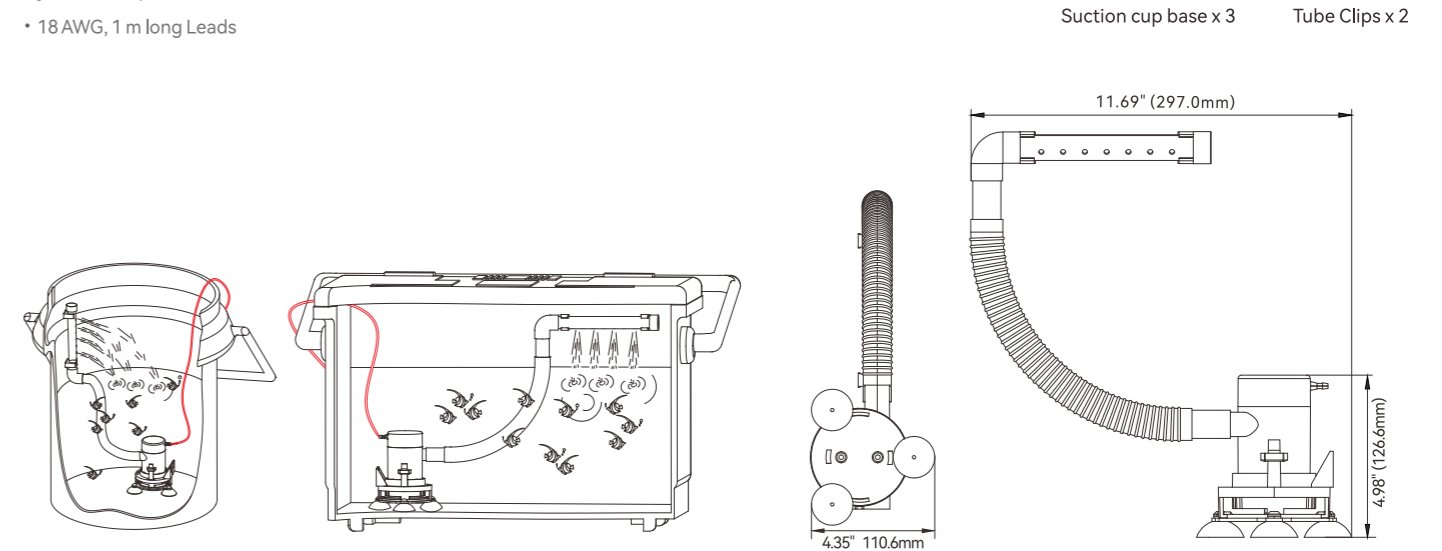
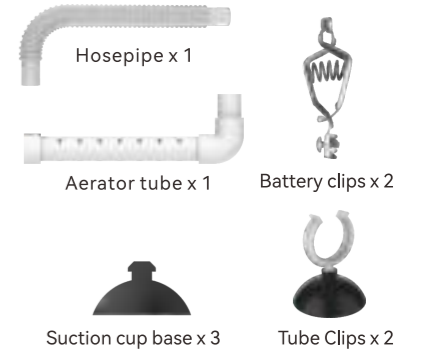
**Type**  
Compact, efficient, long life motor

**Temperature Limits**  
110 °F (43 °C) Max.

**Duty Cycle**  
Intermittent

**Voltage**  
12 V

**Standard Accessories**



standard pump configurations

Model	Flow rate	Volts	Current	Head	Wire lead	Outlet Dia.	N.W./G.W.
SFBP1-G350-10	350 GPH	12 V	1.0 A	1.5 m / 5'	1 m / 3'	3/4" (19mm)	0.32 / 0.42 kg

**NEW**

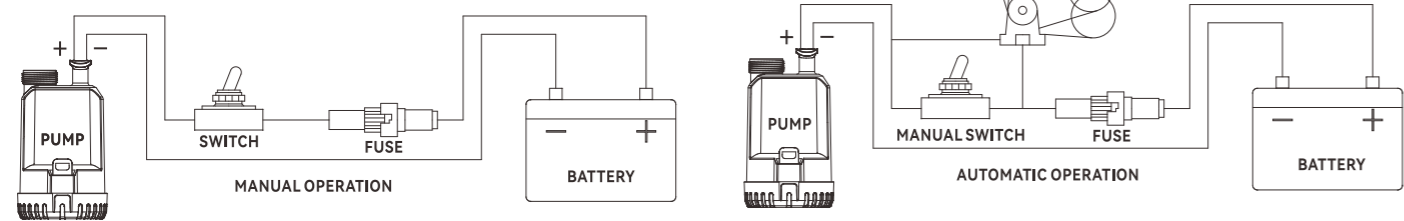
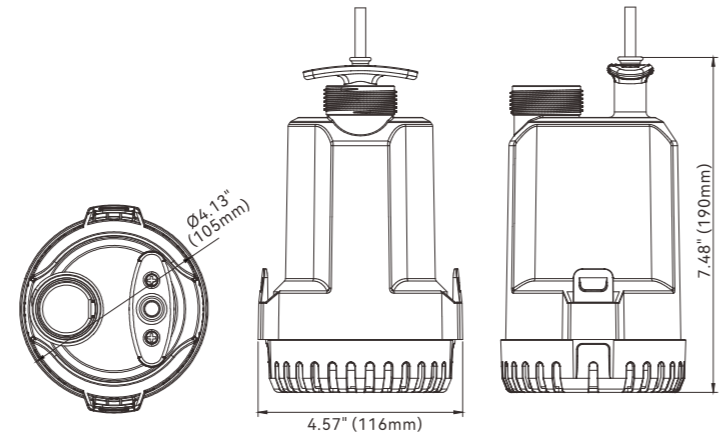


Check Valve 1 1/4" (32mm) 1 1/8" (29mm)

**Handy Submersible Pump 1500/2000 GPH**

**FEATURES & BENEFITS**

- Powerful Pump with Stable Performance
- Easy to transport using the carrying handle
- Built-in check valve inside the pump
- Add ribs around the motor to store water and cool the motor in time
- 2 different diameters outlets (1-1/8" and 1-1/4") to adapt for different size hoses as needed according to the flow rate
- Snap-off strainer base for easy maintenance

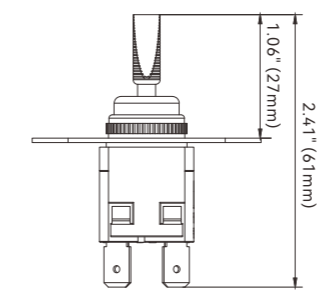
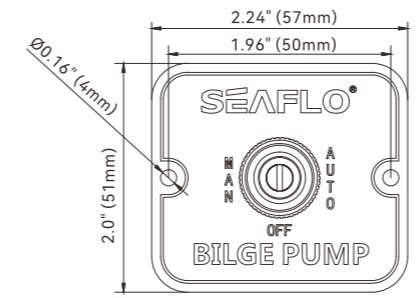
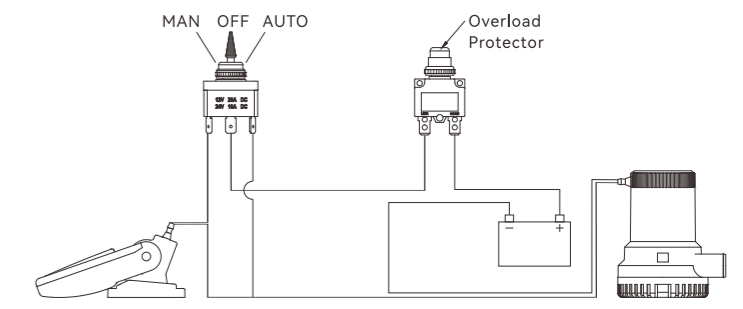


**Standard Pump Configurations**

Model	Flow rate	Volts	Current	Head	Outlet Dia.
SFBP1-G1500-18	1500 GPH	12 V	10 A	4 m / 13.0'	1 1/8" (29mm) & 1 1/4" (32mm)
SFBP2-G1500-18	1500 GPH	24 V	5 A	4 m / 13.0'	1 1/8" (29mm) & 1 1/4" (32mm)
SFBP1-G2000-18	2000 GPH	12 V	12 A	5 m / 16.0'	1 1/8" (29mm) & 1 1/4" (32mm)
SFBP2-G2000-18	2000 GPH	24 V	6 A	5 m / 16.0'	1 1/8" (29mm) & 1 1/4" (32mm)

**2/3-way Switch Panel**

Black aluminum panel  
Control any pump equipped with a float switch  
Prevent impact of intermittent high current  
Toggle of SFSP-01 has three positions (automatic, off, or manual)  
Toggle of SFSP-02 has "on" and "off" providing fingertip control

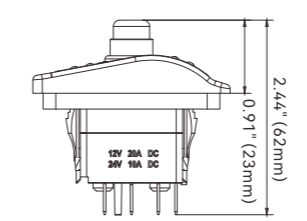
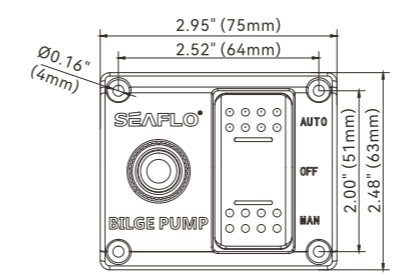
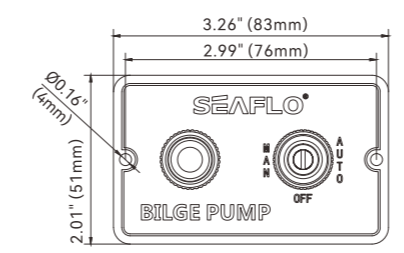


Model	SFSP-01
Volts	12V & 24V
Led Light	Yes
Panel Material	Aluminum
Position	MAN-OFF-AUTO
N.W.	45 g
Dimension	2.24" x 2" (57 mm x 51 mm)

Model	SFSP-02
Volts	12V & 24V
Led Light	Yes
Panel Material	Aluminum
Position	OFF-ON
N.W.	45 g
Dimension	2.24" x 2" (57 mm x 51 mm)

**3-way Switch Panel**

LED indicator when switch is on  
Control any pump equipped with a float switch  
Prevent impact of intermittent high current  
Toggle has three positions (automatic, off, or manual)  
SFSP-015-01 is black aluminum panel  
SFSP-015-02 is black plastic panel



Model	SFSP-015-01
Volts	12V & 24V
Fuse	15 A
Led Light	Yes
Panel Material	Aluminum
Position	MAN-OFF-AUTO
N.W.	60 g
Dimension	3.26" x 2" (83 mm x 51 mm)

Model	SFSP-015-02
Volts	12V & 24V
Fuse	15 A
Led Light	Yes
Panel Material	Plastic
Position	MAN-OFF-AUTO
N.W.	62 g
Dimension	2.95" x 2.48" (75 mm x 63 mm)

WATER ALARM SYSTEMS FLOAT SWITCHES

WATER ALARM SYSTEMS FLOAT SWITCHES

**NEW**



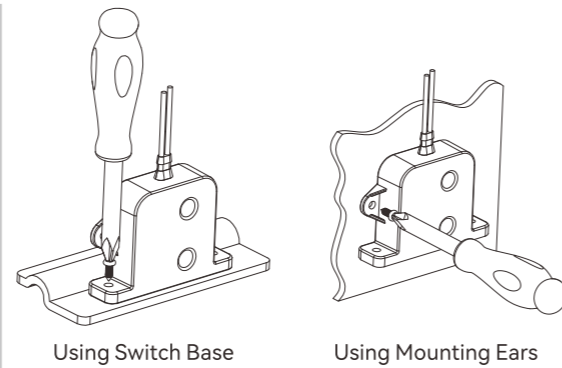
Blister

### Electric Field Bilge Switch 06 Series

This SEAFLO electric field sensor senses water level and automatically controls a 12 or 24 volt bilge pump. The switch turns on when it senses 41mm (1.6") water level and turns off when water is below 9.5mm (0.37"). This product is designed for use in pleasure boat applications, and is not intended to be used in commercial marine & boating applications or for any other use.

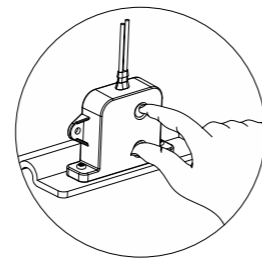
#### FEATURES & BENEFITS

- Ideal for use with electric bilge pump
- Rated to handle pumps up to 20A at 12V or 10A at 24V
- No moving parts, totally sealed solid state electronics and field detectors
- No exposed sensors eliminate corrosion possibilities
- Activates at a 41mm (1.6") fluid level and deactivates at a 9.5 mm (0.37") fluid level
- A three second delay prevents false starts from water sloshing in the bilge
- Easy to install, mounted on either horizontal or vertical surface (e.g. bulkhead or hull)



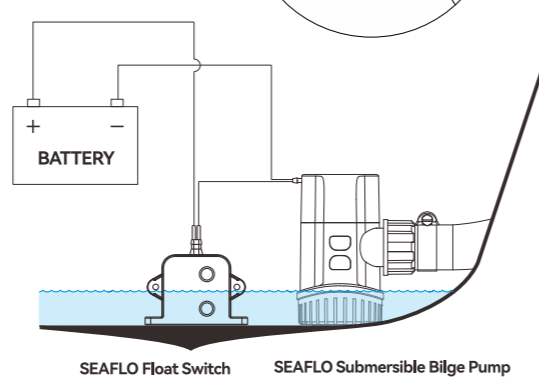
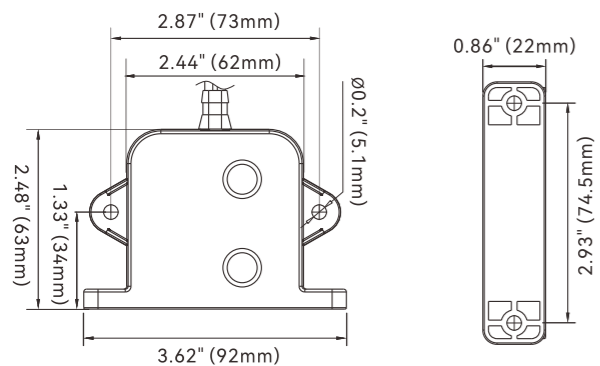
Using Switch Base

Using Mounting Ears



Testing Switch

#### INSTALLATION DIMENSION DRAWING



SEAFLO Float Switch SEAFLO Submersible Bilge Pump

Model Number	Voltage	Current	Wire Gauge Size /length	N.W.
SFBS-20-06	12V/24V DC	20A at 12V or 10A at 24V	16AWG / 39.37" (1000mm)	0.1KG

### Alarm Control System **NEW**

**NEW**

#### FEATURES & BENEFITS

- Detects water and sends a signal (3 seconds delay) to the alarm and switch
- Switch activates the Bilge Pump at a 41mm/1.6" fluid level and deactivates at a 9.5mm/0.37" fluid level
- 3 second delay prevents false starts
- Totally sealed fluid detector is never in contact with water, will not corrode and is not affected by oil or debris



Blister

Model Number	Voltage	Current	Alarm volume	N.W.	Wire Gauge Size /length
SFAS1-20-03	12V DC	20 Amps. Max	≥85DB	0.2KG	16AWG/1000mm (Bilge Switch)
SFAS2-10-03	24V DC	10 Amps. Max	≥85DB	0.2KG	16AWG/100mm (Alarm Switch)

### Water Level Alarm System **NEW**

**NEW**

#### FEATURES & BENEFITS

- Consists of an electric field bilge switch and a 95 dB alarm
- Detects water and sends a signal (3 seconds delay) to the alarm
- Switch activates the Bilge Pump at a 41mm/1.6" fluid level and deactivates at a 9.5mm/0.37" fluid level
- 3 second delay prevents false starts
- Precision switch automatically activates and shuts off alarms when water reaches specific levels
- No moving parts, totally sealed solid state electronics and field detectors



Blister

Model Number	Voltage	Current	Alarm volume	N.W.	Wire Gauge Size /length
SFAS1-20-01	12V DC	20 Amps. Max	≥95DB	0.2KG	18AWG/1000mm (Switch)
SFAS2-10-01	24V DC	10 Amps. Max	≥95DB	0.2KG	28AWG/150mm (Alarm)

### High Water Bilge Alarm **NEW**

**NEW**

#### FEATURES & BENEFITS

- A safety reminder device integrating vision and hearing
- Consists of a float switch and a 95 DB alarm
- Allows an unarmed compartment to be constantly monitored
- Turn on when water level higher than 45-55mm(1.77"-1.97")
- Turn off when water level lower than 20-25mm(0.79"-0.98")
- The float switch comes with a filter housing to keep debris out



Blister

Model Number	Voltage	Current	Alarm volume	N.W.	Wire Gauge Size /length
SFAS1-20-02	12V DC	20 Amps. Max	≥95DB	0.3KG	16AWG/1000mm (Switch)
SFAS2-10-02	24V DC	10 Amps. Max	≥95DB	0.3KG	28AWG/150mm (Alarm)

### Alarm Switch Panel

#### FEATURES & BENEFITS

- For use with seaflo electric field bilge switch, precise operation ensures proper bilge pumping and provides peace of mind
- Controls any pump equipped with an automatic float switch
- Unique 3-way switch disables piezo alarm while keeping warning LED lit
- Marine switch panel, easy to install



Blister

Model Number	Voltage	Current	Wire Gauge Size /length	Alarm volume	N.W.
SFASP1-01	12V DC	20 Amps. Max	16AWG/100mm	≥85DB	0.2KG
SFASP2-01	24V DC	10 Amps. Max	16AWG/100mm	≥85DB	0.2KG

### Water Alarm

A safety reminder device integrating vision and hearing. Allows an unarmed compartment to be constantly monitored.



Blister

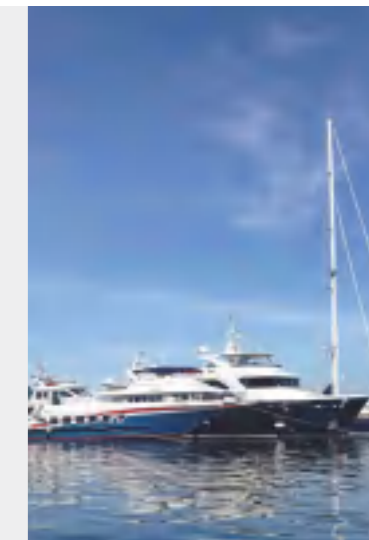
Model Number	Voltage	Current	Wire Gauge Size /length	Alarm volume	N.W.
SFWA1-01	12V DC	20 Amps. Max	28AWG/150mm	≥95DB	0.1KG
SFWA2-01	24V DC	10 Amps. Max	28AWG/150mm	≥95DB	0.1KG



Blister



Color Box

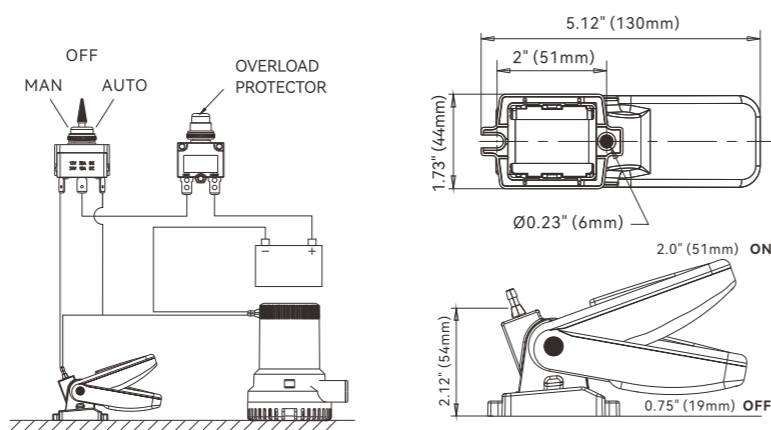


### Float Switch 01 Series

- Ideal flow sensor for bilge pumps
- 20A Max.
- Heavy duty flow switch is designed for the toughest applications
- Turns pump on when water level reaches 2.0" (51 mm)



Blister



#### Standard Pump Configurations

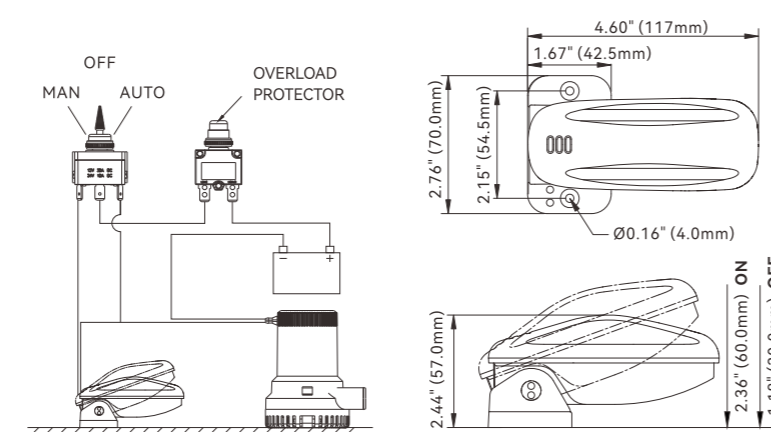
Model	Max Amps 12volts	Max Amps 24volts	Wire Lead	Wire Gauge Size	N.W.
SFBS-20-01	20 A	10 A	3.28' (1 m)	18 AWG	0.16 kg

### Float Switch 02 Series

- Ideal flow sensor for bilge pumps
- 18A Max.
- Unique internal steel bearing activation
- Turns pump on when water level reaches 2.3" (60 mm)



Blister



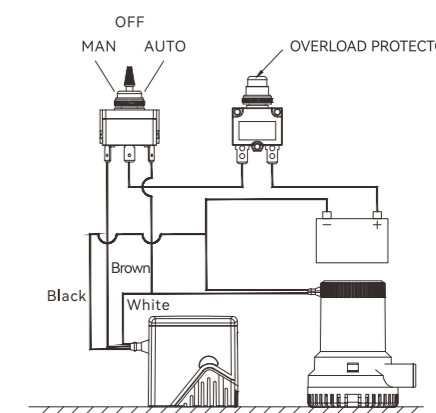
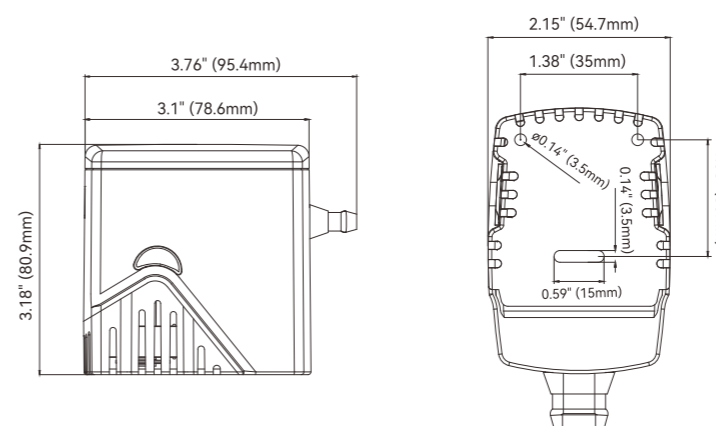
#### Standard Pump Configurations

Model	Max Amps 12volts	Max Amps 24volts	Wire Lead	Wire Gauge Size	N.W.
SFBS-18-02	18 A	8 A	3.28' (1 m)	16 AWG	0.14 kg

### Electromagnetic Float Switch 05 Series 25A

#### FEATURES & BENEFITS

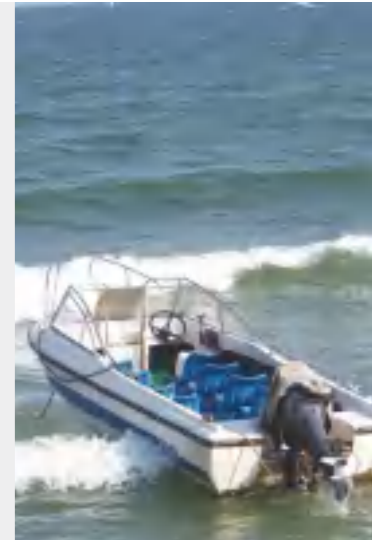
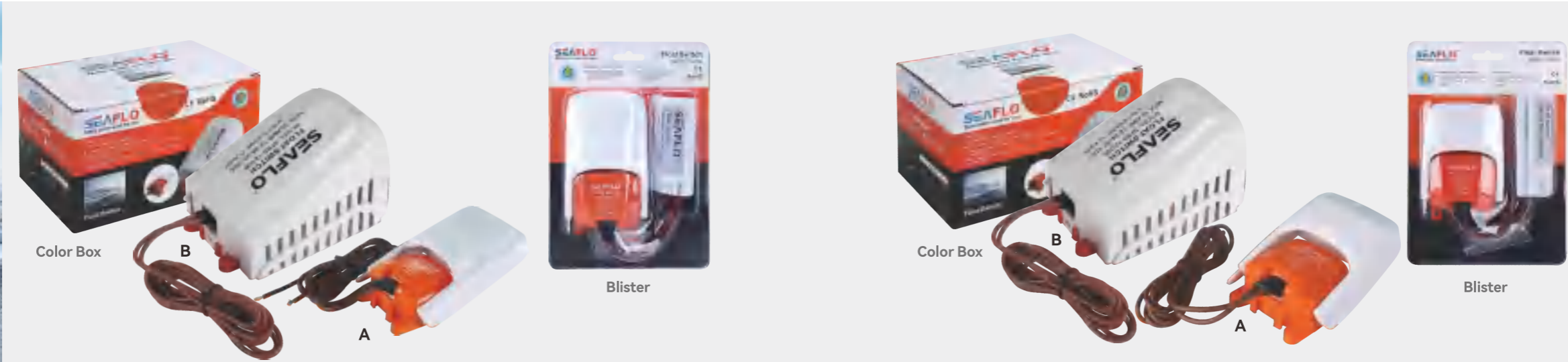
- Innovative Electromagnetic Design
- Enclosed Construction Offers Advanced Reliability
- Strainer housing protects switch from debris
- Quick Attach Base Offers Simple Maintenance
- Works with Any Manual Bilge Pump
- Designed for Pumps Up To 25 Amps
- Mercury Free



#### Standard Pump Configurations

Model	Max Amps	Wire Gauge Size	Wire Lead	N.W.
SFBS-25-05	25 A	16 AWG	3.28' (1 m)	0.2 kg

WATER ALARM SYSTEMS FLOAT SWITCHES

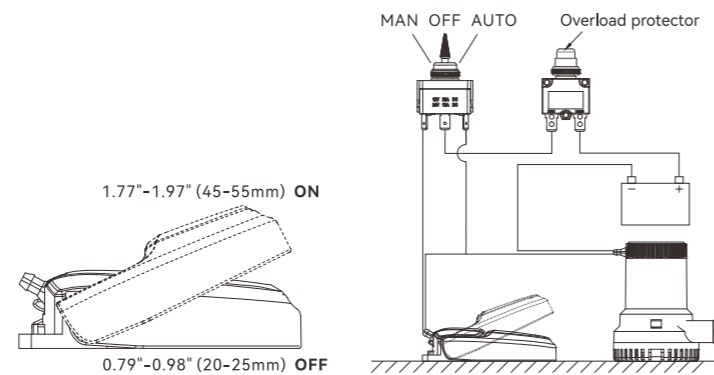


WATER ALARM SYSTEMS FLOAT SWITCHES

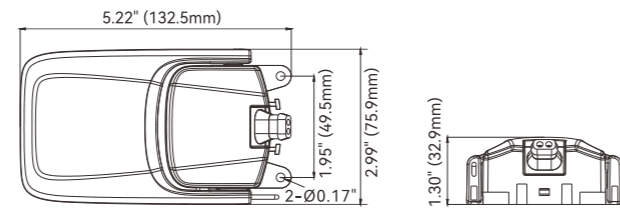
**Float Switch 03 Series 25A**

**FEATURES & BENEFITS**

- Larger float and drive structure for better stability
- Amp draws up to 25 A
- Idea flow sensor for bilge pump
- Mercury free
- Compact design, easy installation
- Strainer housing protects switch from debris
- Turn on when water level higher than 45-55 mm(1.77"-1.97")
- Turn off when water level lower than 20-25 mm(0.79"-0.98")



SFBS-25-03A



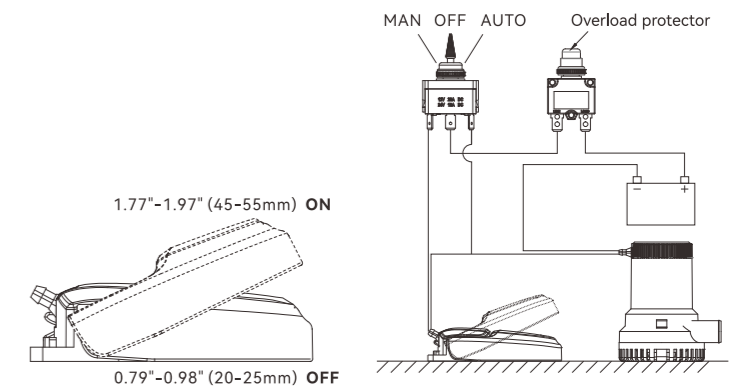
**Standard Pump Configurations**

Model	Max Amps	Wire Gauge Size	Wire Lead	N.W.	Filter Housing
SFBS-25-03A	25 A	14 AWG	3.28' (1 m)	0.12 kg	NO

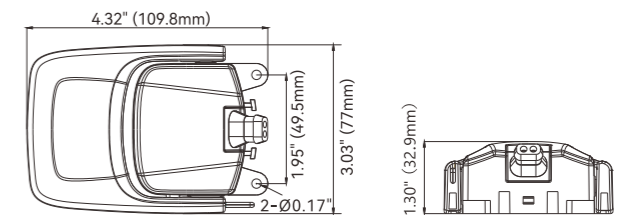
**Float Switch 04 Series 12A**

**FEATURES & BENEFITS**

- Larger float and drive structure for better stability
- Amp draws up to 12 A
- Idea flow sensor for bilge pump
- Mercury free
- Compact design, easy installation
- Strainer housing protects switch from debris
- Turn on when water level higher than 45-55 mm(1.77"-1.97")
- Turn off when water level lower than 20-25 mm(0.79"-0.98")



SFBS-12-04A

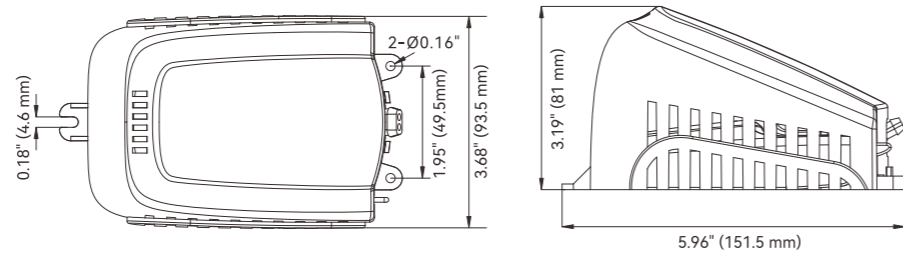


**Standard Pump Configurations**

Model	Max Amps	Wire Gauge Size	Wire Lead	N.W.	Filter Housing
SFBS-12-04A	12 A	16 AWG	3.28' (1 m)	0.11 kg	NO



SFBS-25-03B

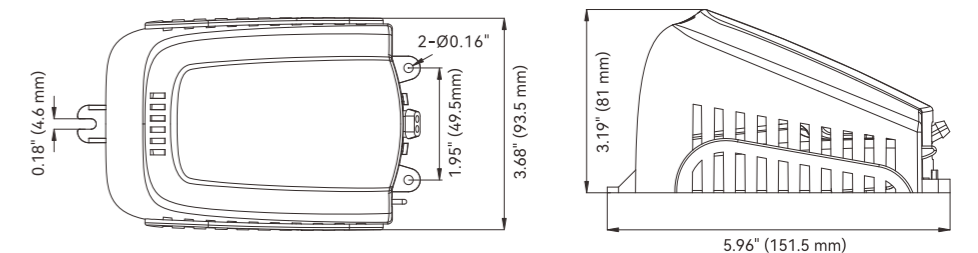


**Standard Pump Configurations**

Model	Max Amps	Wire Gauge Size	Wire Lead	N.W.	Filter Housing
SFBS-25-03B	25 A	14 AWG	3.28' (1 m)	0.19 kg	YES



SFBS-12-04B



**Standard Pump Configurations**

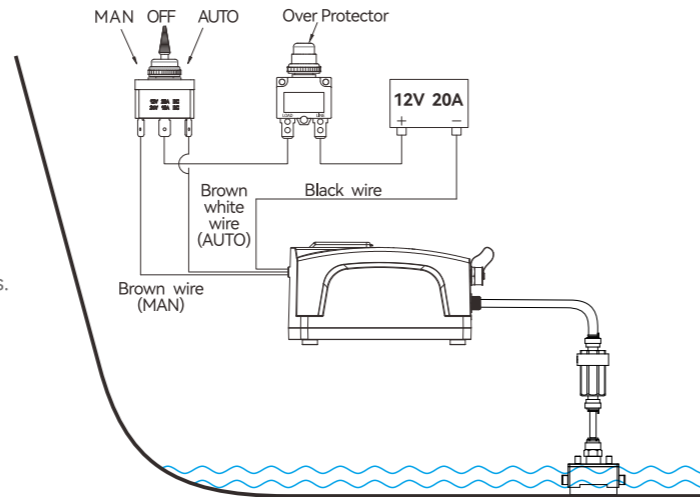
Model	Max Amps	Wire Gauge Size	Wire Lead	N.W.	Filter Housing
SFBS-12-04B	12 A	16 AWG	3.28' (1 m)	0.18 kg	YES



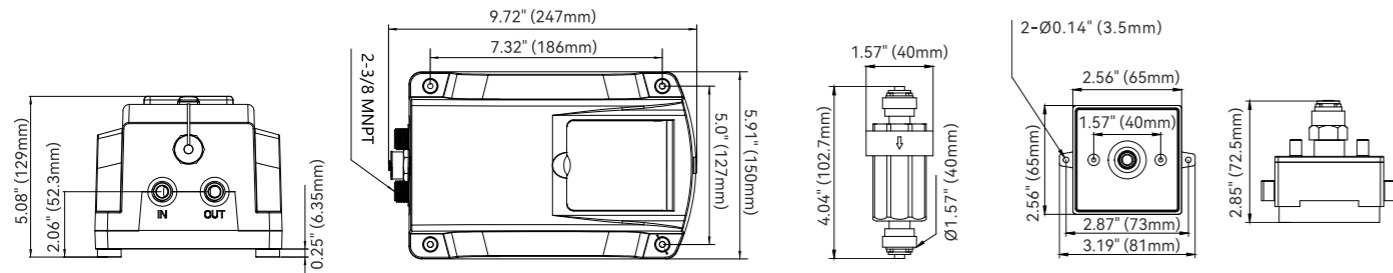
## Dry Bilge System

### FEATURES & BENEFITS

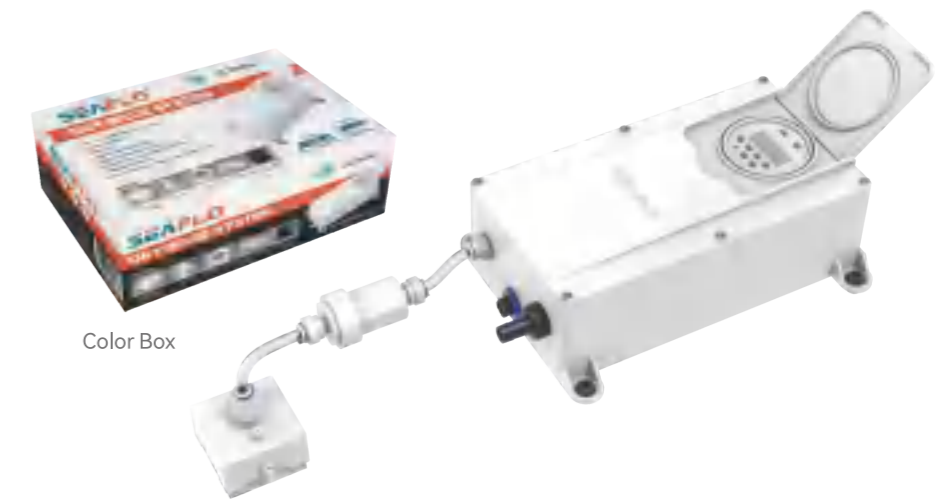
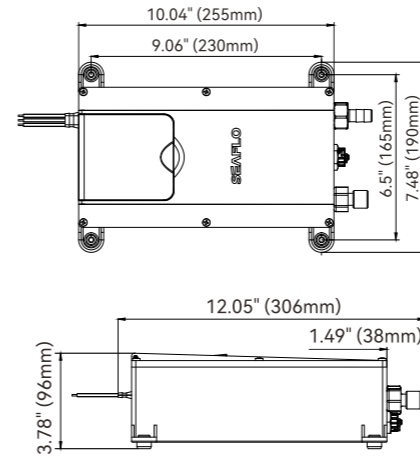
- 25' Self-priming suction allows the system to be remotely mounted.
- User program mable timer allows the user to activate the system asmuch, or as little, as needed.
- Thin (5/16") suction hose allows for easy bends and fits into tight spaces.
- Quick-connect fittings allow for simple plumbing installation.
- High absorption suction base ensures a dry bilge.
- Ignition Protected- ISO 8846 Marine / SAE J1171 Marine.



### Included

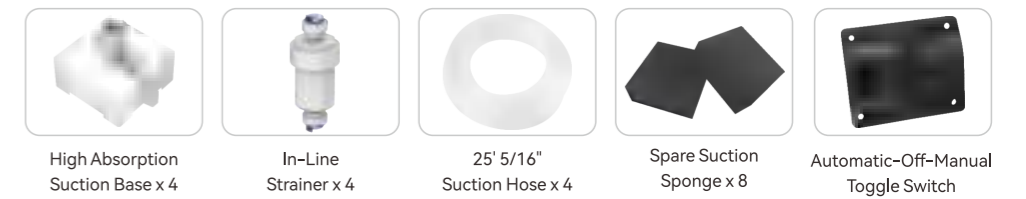


Model	Volts	Max Draw	Open Flow	Inlet Dia	Outlet Dia
SFDBS1-02	12V	6A	1.7 LPM	5/16"	5/16"
SFDBS2-02	24V	3A	1.7 LPM	5/16"	5/16"



Color Box

### Included



Model	Voltage	Max Draw	Open Flow	Inlet Dia	Outlet Dia
SFDBS1-01	12V	5.5 A	1 LPM / 0.3GPM	5/16"	1/2" Barb
SFDBS2-01	24V	2.75 A	1 LPM / 0.3GPM	5/16"	1/2" Barb

## 4 Suction Zone Splitter

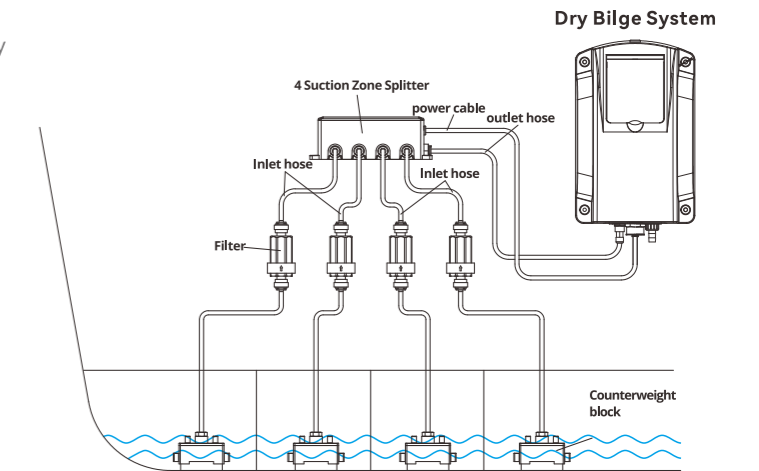
- Use with the SEAFLO Dry Bilge System to keep bilges clean and dry
- The valve has 4 inlet and 1 outlets
- Water inlet port and outlet port diameter are 5/16"(8mm)
- High absorption suction base ensures a dry bilge
- Quick-connect fittings allow for simple plumbing installation



Color Box



4 Suction Zone Splitter



Model	Voltage	Power	Pressure	size
SFSV1-02A	12V	10W	1-150PSI	6.93" x 3.07" x 2.41"
SFSV2-02A	24V	10W	1-150PSI	6.93" x 3.07" x 2.41"



ULTRASONIC ANTIFOULING SYSTEM

ULTRASONIC ANTIFOULING SYSTEM



Number of Transducers \* 4

Number of Transducers \* 2



Model	Volts	Number of Transducers	Frequency Range	Wire Length
SFUAS1-01	12V	1	20kHz to 45kHz	15ft

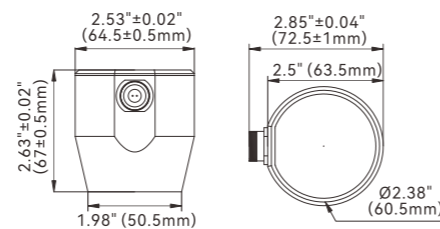
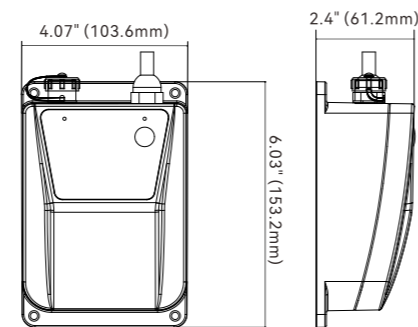
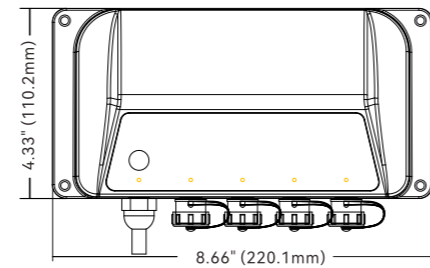
Model	Volts	Number of Transducers	Frequency Range	Wire Length
SFUAS1-02	12V	2	20kHz to 45kHz	15ft

### Ultrasonic antifouling system

SEAFLO ultrasonic antifouling system offers complete, versatile, and reliable antifouling protection for hulls, drives, and other parts of a vessel that are prone to marine fouling.

#### FEATURES & BENEFITS

- Easy Installation and does not require special tools.
- ultrasonic antifouling system effectively work 24/7 to repel most types of marine fouling.
- A clean hull has less drag, improved fuel efficiency, and increased top-end speed.
- Use less applications of toxic bottom paint while reducing environmental impact.
- Spend less money and time with fewer haul-outs, bottom painting, and abrasive cleaning.
- Boats having automated anti-fouling hardware have increased resale value.



Model	Volts	Number of Transducers	Frequency Range	Wire Length
SFUAS1-03	12V	4	20kHz to 45kHz	15ft

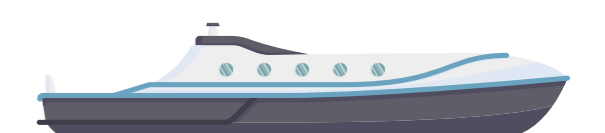
#### Ultrasonic Antifouling Hull Coverage

Stay cleaner for longer while extending the functional lifespan of your bottom paint.

Each transducer provides approximately 200sqft of protected underwater surface area. A rough estimate of your underwater surface area can be calculated by doubling your draft, adding it to your beam, then multiplying by your LWL (length at water line)

Mono hull	20ft	30ft	40ft	50ft	65ft
Less than 20'	1x transducer	2x transducers	3x transducers	4x transducers	5x transducer

Catamaran	34ft	50ft	34ft
Up to 34'	2x Transducers	4x Transducers	6x Transducers



**Continuous Antifouling**  
ultrasonic antifouling systems effectively work 24/7 to repel most types of marine fouling.

**Easy Installation**  
Installation is straight-forward, easy and does not require special tools.

**Improve Performance**  
A clean hull has less drag, improved fuel efficiency, and increased top-end speed.

**Environmentally Friendly**  
Use less applications of toxic bottom paint while reducing environmental impact.

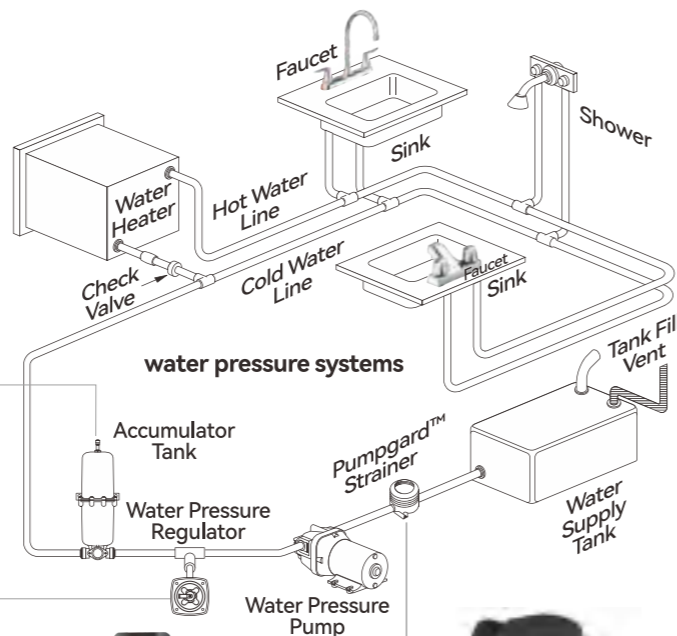
**Save Money & Time**  
Spend less money and time with fewer haul-outs, bottom painting, and abrasive cleaning.

**Increase Resale Value**  
Boats having automated anti-fouling hardware have increased resale value.

# WATER PRESSURE SYSTEMS



Pressurized Accumulator Tanks



water pressure systems



water inlet with water pressure regulator



Accumulator Pressure Boost System



33 Series Fresh water pump



42 Series Fresh water pump



51S01 Filter - 1/2"-14 MNPT



52S02 Filter - 1/2"-14 MNPT

SEAFLO is a leading manufacturer of plumbing products for Marine, RV, Agricultural, Industrial, Construction and OEM Applications. Our Fresh Water Pumps are of uncompromised quality, with proven reliability, and a vast variety of options. Our Diaphragm Pumps are available in DC and AC currents, in flows from 0.7 GPM up to 7.0 GPM which can serve 2 to 5 3/8" (10 mm) or 1/2" (13 mm) outlets. This automatic demand water system pump has a built-in pressure switch, which automatically starts and stops when the faucet is opened and closed. Our tough design provides performance that you can rely on for years. Quality fresh water pumps you can trust with and 2 year warranty.

## Features & Benefits

- Positive displacement pump
- Capable of supplying 2-5 fixtures
- Internal bypass technology reduces cycling (22/42/43/51 series)
- Can run dry
- Quiet operation
- Demand pump
- Low amp draw
- Open flow from 1.0 gpm/3.8lpm to 7.0 gpm/26.5 lpm
- Pressure from 17 psi/1.2 bar to 70 psi/4.8 bar
- Self priming up to 6 feet/1.8 m
- Industry standard mount pattern
- Completely rubber & iron mounting-base
- Adjustable pressure switch
- Easy connect fittings and strainers
- Marine grade blocked wiring



Industry Carton

Color Box

Standard Accessories  
23F001\*2 (5/8" X 3/8")

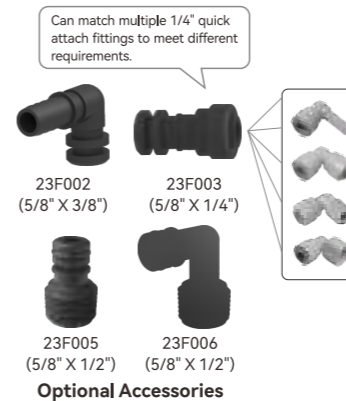
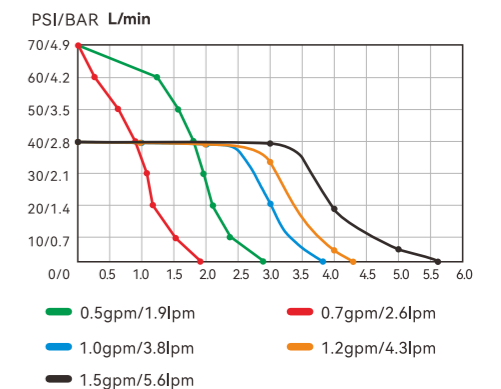
## 23A Series Water Pump

### FEATURES & BENEFITS

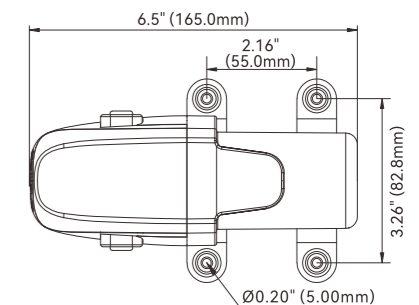
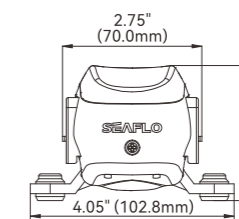
- Open flow up to 1.5gpm/5.6lpm
- Dry run capability
- Max Self-priming up to 5 feet/1.5m
- Waterproof grade IP54 with extra cover
- On-demand long life pressure switch
- Configurable reflux function
- Adapt to a variety of scenarios
- Multiple connector options
- By pass technology reduces cycling
- Ignition protected, CE, RoHS

### PUMP

- Max Recommended Temperature 140°F (60°C) Max.
- Priming Capabilities
  - 2 feet (0.6m) suction lift for 0.5 and 0.7gpm
  - 5 feet (1.5m) suction lift for 1, 1.2 and 1.5gpm
- Inlet/Outlet Ports
  - 5/8" quick connector
- Weight
  - 1.54 lbs (0.7 kg)



Can match multiple 1/4" quick attach fittings to meet different requirements.

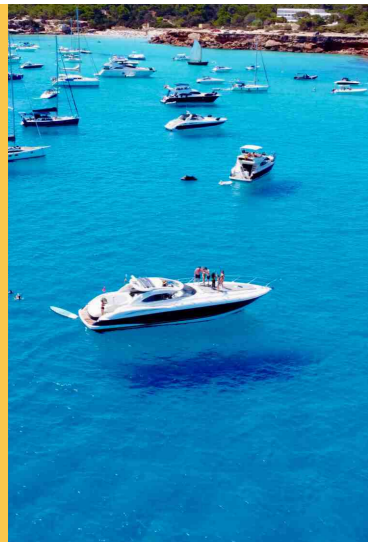


### Standard Pump Configurations

Model	Voltage	GPM/LPM	Control Type	Amps	PSI/BAR	Valves	Diaphragm	Ports
SFDP1-010-040-23A	12V	1.0/3.8	Switch & By pass	3.8Max	40/2.8	EPDM	Santoprene	5/8" quick attach
SFDP2-010-040-23A	24V	1.0/3.8	Switch & By pass	2.0Max	40/2.8	EPDM	Santoprene	5/8" quick attach
SFDP1-012-040-23A	12V	1.2/4.5	Switch & By pass	4.2Max	40/2.8	EPDM	Santoprene	5/8" quick attach
SFDP2-012-040-23A	24V	1.2/4.5	Switch & By pass	2.2Max	40/2.8	EPDM	Santoprene	5/8" quick attach
SFDP1-015-040-23A	12V	1.5/5.6	Switch & By pass	4.5Max	40/2.8	EPDM	Santoprene	5/8" quick attach
SFDP2-015-040-23A	24V	1.5/5.6	Switch & By pass	2.5Max	40/2.8	EPDM	Santoprene	5/8" quick attach

Inquire about other configurations, or valve and diaphragm materials

FRESH WATER PUMPS



FRESH WATER PUMPS

## 21 Series Water Pump

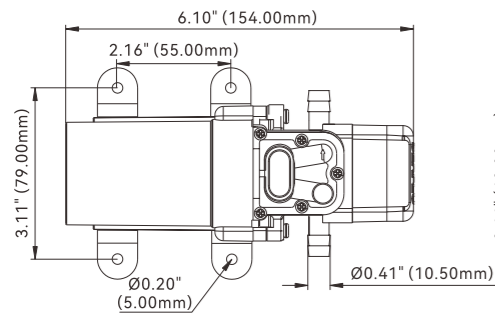
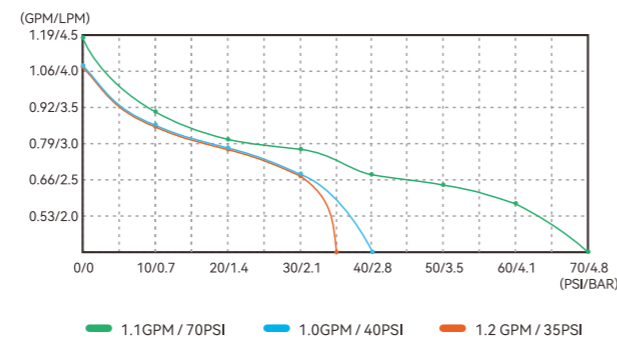
### FEATURES & BENEFITS

- Capable of supplying 1-2 fixtures
- Compact design
- On-demand pressure switch
- Adjustable pressure setting
- Can run dry
- Quiet operation
- Industry standard mounting pattern
- 18 AWG, 13" (33 cm) long Leads

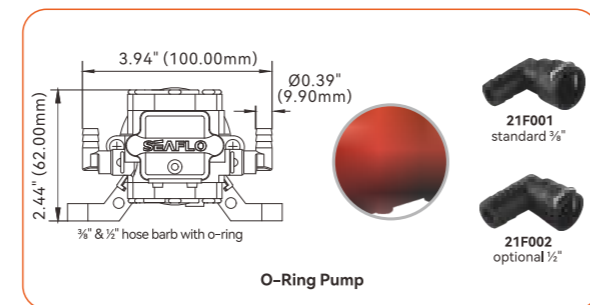
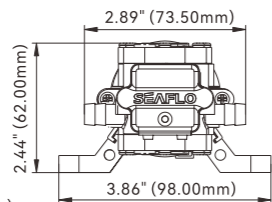
### PUMP

- Max Recommended Temperature**  
110 °F (43 °C) Max.
- Priming Capabilities**  
4 feet (1.2 m) suction lift
- Inlet/Outlet Ports**  
3/8" hose barb  
(Custom O-Ring Outlets available)
- Weight**  
1.25 lbs (0.57 kg)

### PERFORMANCE



Standard Borrd Pump



O-Ring Pump

### Standard Pump Configurations

Model	Voltage	GPM/LPM	Control Type	Amps	PSI/BAR	Valves	Diaphragm	Ports
SFDP1-010-040-21	12 V	1.0/3.8	Switch	4.0 MAX	40/2.8	EPDM	Santoprene	3/8" Barb (or Custom O-Ring)
SFDP2-010-040-21	24 V	1.0/3.8	Switch	2.0 MAX	40/2.8	EPDM	Santoprene	3/8" Barb (or Custom O-Ring)
SFDP1-011-070-21	12 V	1.1/4.2	Switch	4.5 MAX	70/4.8	EPDM	Santoprene	3/8" Barb (or Custom O-Ring)
SFDP1-012-035-21	12 V	1.2/4.5	Switch	4.0 MAX	35/2.4	EPDM	Santoprene	3/8" Barb (or Custom O-Ring)
SFDP2-012-035-21	24 V	1.2/4.5	Switch	2.5 MAX	35/2.4	EPDM	Santoprene	3/8" Barb (or Custom O-Ring)

Inquire about other configurations, or valve and diaphragm materials

## 33 Series Water Pump

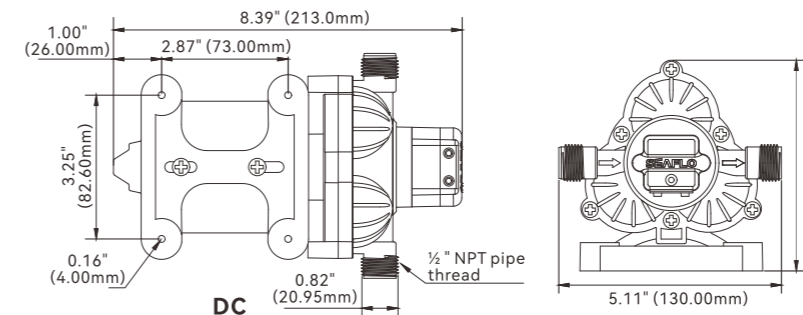
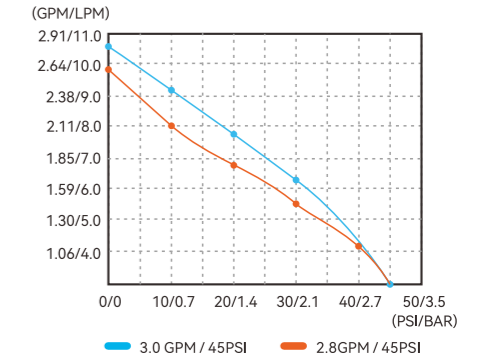
### FEATURES & BENEFITS

- Capable of supplying 2-3 fixtures
- Up to 3.0 GPM
- Self priming
- Run dry safe
- Quiet operation
- On-demand use
- Industry Standard mounting pattern
- Completely rubber mounting-base
- Adjustable pressure switch
- 16 AWG, 4.5" (11.4 cm) long Leads

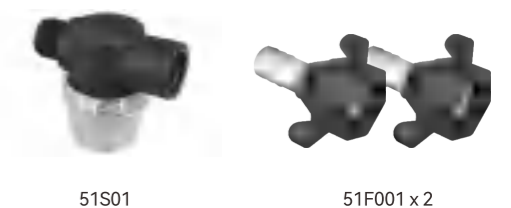
### PUMP

- Max Recommended Temperature**  
140 °F (60 °C) Max.
- Priming Capabilities**  
6 feet (1.8 m) suction lift
- Inlet/Outlet Ports**  
1/2"-14 MNPT
- Weight**  
3.97 lbs (1.80 kg)

### PERFORMANCE



### Standard Accessories



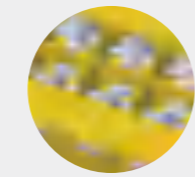
### Standard Pump Configurations

Model	Voltage	Control Type	GPM/LPM	PSI/BAR	Max Draw(A)	Valves	Diaphragm	Ports	Wire Connections
SFDP1-018-020-33	12 V	Switch	1.8/6.8	20/1.4	3.5	EPDM	Santoprene	1/2"-14 MNPT	2-Pin/Leads
SFDP1-020-020-33	12 V	Switch	2.0/7.57	20/1.4	4.5	EPDM	Santoprene	1/2"-14 MNPT	2-Pin/Leads
SFDP1-024-030-33	12 V	Switch	2.4/9.07	30/2.1	5.0	EPDM	Santoprene	1/2"-14 MNPT	2-Pin/Leads
SFDP1-028-045-33	12 V	Switch	2.8/10.6	45/3.1	7.5	EPDM	Santoprene	1/2"-14 MNPT	2-Pin/Leads
SFDP2-028-045-33	24 V	Switch	2.8/10.6	45/3.1	4.0	EPDM	Santoprene	1/2"-14 MNPT	2-Pin/Leads
SFDP1-030-045-33	12 V	Switch	3.0/11.3	45/3.1	8.5	EPDM	Santoprene	1/2"-14 MNPT	2-Pin/Leads
SFDP2-030-045-33	24 V	Switch	3.0/11.3	45/3.1	4.0	EPDM	Santoprene	1/2"-14 MNPT	2-Pin/Leads
SFDPA1-030-045-33	115 V	Demand	3.0/11.3	45/3.1	1.6	EPDM	Santoprene	1/2"-14 MNPT	Leads/Plug
SFDPA2-030-045-33	220 V	Demand	3.0/11.3	45/3.1	0.8	EPDM	Santoprene	1/2"-14 MNPT	Leads/Plug

FRESH WATER PUMPS



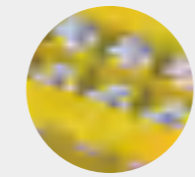
41short-AC Pump



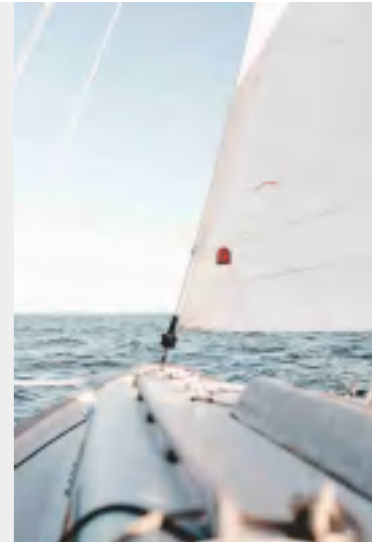
Industry Carton



41long-AC Pump



Industry Carton



FRESH WATER PUMPS

### 41 Series (short) Water Pump

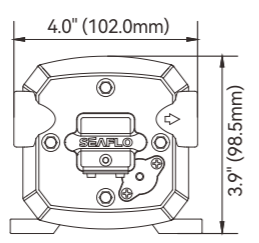
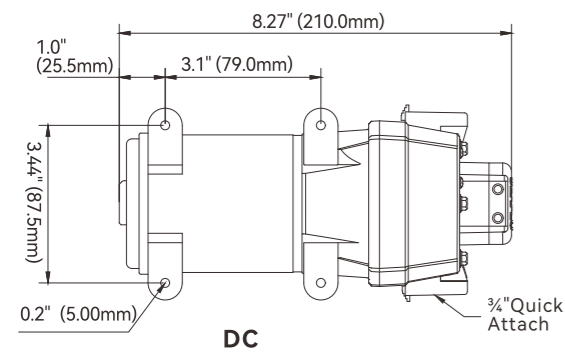
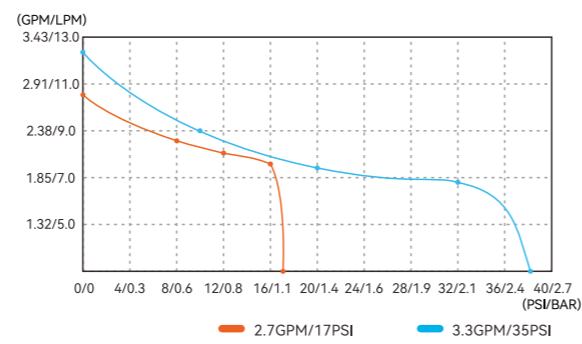
#### FEATURES & BENEFITS

- Up to 3.3 GPM
- Can supply up to 3 fixtures
- Quick-Connect fittings
- Self priming
- Run dry safe
- On-demand use
- Industry Standard mounting pattern
- Rubber mounting-feet
- Can be used for Fresh & Salt Water
- 16 AWG, 4.5"(11.4 cm) long Leads

#### PUMP

- Max Recommended Temperature**  
140 °F (60 °C) Max.
- Priming Capabilities**  
6 feet (1.8 m) suction lift
- Inlet/Outlet Ports**  
Quick Attach
- Weight**  
4.0 lbs (1.80 kg)

#### PERFORMANCE



#### Standard Accessories



#### Standard Pump Configurations

Model	Voltage	Control Type	GPM/LPM	PSI/BAR	Max Draw(A)	Valves	Diaphragm	Ports	Wire Connections
SFDP1-027-017-41	12 V	Switch & By pass	2.7/10.2	17/1.2	4.5	EPDM	Santoprene	Quick Attach	2-Pin/Leads
SFDP2-027-017-41	24 V	Switch & By pass	2.7/10.2	17/1.2	2.0	EPDM	Santoprene	Quick Attach	2-Pin/Leads
SFDP1-033-035-41	12 V	Switch & By pass	3.3/12.5	35/2.4	8.0	EPDM	Santoprene	Quick Attach	2-Pin/Leads
SFDP2-033-035-41	24 V	Switch & By pass	3.3/12.5	35/2.4	4.0	EPDM	Santoprene	Quick Attach	2-Pin/Leads
SFDPA1-033-035-41	115 V	Demand & By pass	3.3/12.5	35/2.4	1.2	Viton	Santoprene	Quick Attach	Leads/Plug
SFDPA2-033-035-41	220 V	Demand & By pass	3.3/12.5	35/2.4	0.5	Viton	Santoprene	Quick Attach	Leads/Plug

### 41 Series (long) Water Pump

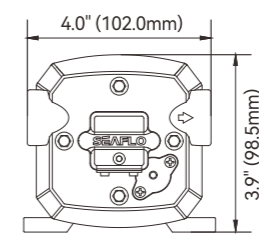
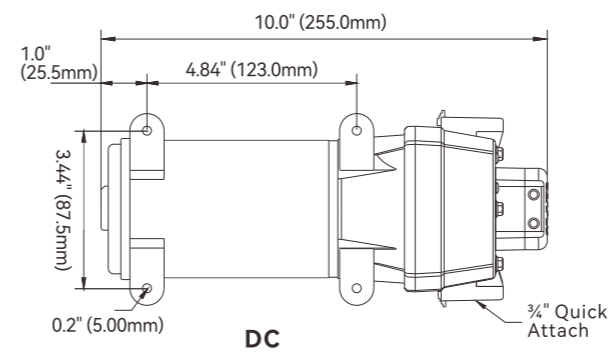
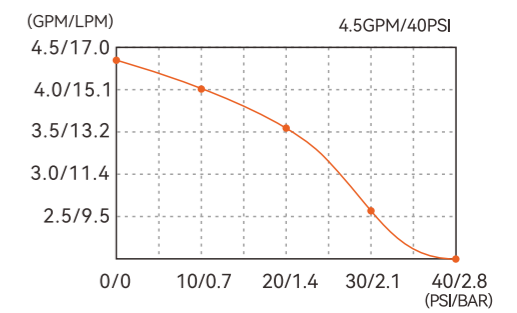
#### FEATURES & BENEFITS

- Up to 4.5 GPM
- Can supply up to 4 fixtures
- Quick-Connect fittings
- Self priming
- Run dry safe
- On-demand use
- Industry Standard mounting pattern
- Rubber mounting-feet
- Can be used for Fresh & Salt Water
- Adjustable pressure switch
- 16 AWG, 4.5"(11.4 cm) long Leads

#### PUMP

- Max Recommended Temperature**  
140 °F (60 °C) Max.
- Priming Capabilities**  
6 feet (1.8 m) suction lift
- Inlet/Outlet Ports**  
Quick Attach
- Weight**  
5.0 lbs (2.30 kg)

#### PERFORMANCE



#### Standard Accessories



#### Standard Pump Configurations

Model	Voltage	Control Type	GPM/LPM	PSI/BAR	Max Draw(A)	Valves	Diaphragm	Ports	Wire Connections
SFDP1-045-040-41	12 V	Switch & By pass	4.5/17.0	40/2.8	16.5	EPDM	Santoprene	Quick Attach	2-Pin/Leads
SFDP2-045-040-41	24 V	Switch & By pass	4.5/17.0	40/2.8	8.0	EPDM	Santoprene	Quick Attach	2-Pin/Leads
SFDPA1-045-040-41	115 V	Demand & By pass	4.5/17.0	40/2.8	1.7	EPDM	Santoprene	Quick Attach	Leads/Plug
SFDPA2-045-040-41	220 V	Demand & By pass	4.5/17.0	40/2.8	0.9	EPDM	Santoprene	Quick Attach	Leads/Plug

FRESH WATER PUMPS



FRESH WATER PUMPS

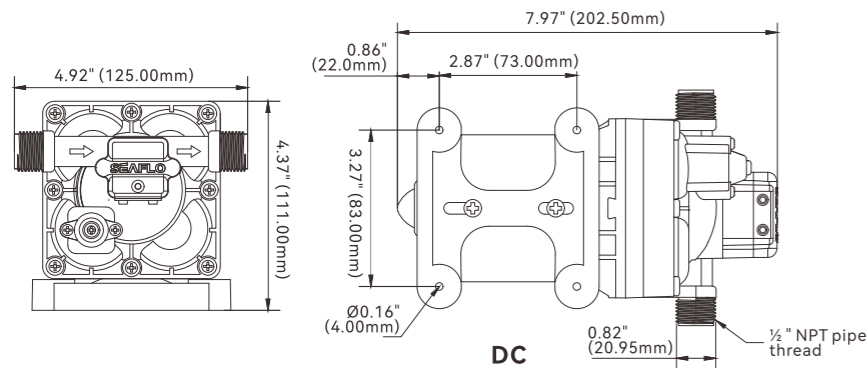
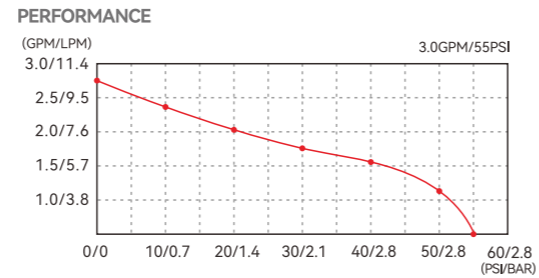
### 42 Series (short) Water Pump

#### FEATURES & BENEFITS

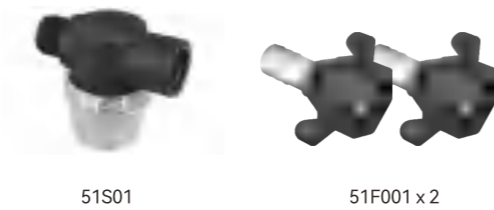
- Up to 3.0 GPM
- Self priming
- Run dry safe
- Quiet operation
- On-demand use
- Industry Standard mounting pattern
- Completely rubber mounting-base
- Internal bypass technology reduces cycling
- 16 AWG, 9.4"(23.8 cm) long with

#### PUMP

- Max Recommended Temperature**  
140 °F (60 °C) Max.
- Priming Capabilities**  
6 feet (1.8 m) suction lift
- Inlet/Outlet Ports**  
½"-14 MNPT
- Weight**  
4.1 lbs (1.90 kg)



#### Standard Accessories



#### Standard Pump Configurations

Model	Voltage	Control Type	GPM/LPM	PSI/BAR	Max Draw(A)	Valves	Diaphragm	Ports	Wire Connections
SFDP1-020-025-42	12 V	Switch & By pass	2.0/7.57	25/1.7	4.5	EPDM	Santoprene	½"-14 MNPT	2-Pin/Leads
SFDP1-030-055-42	12 V	Switch & By pass	3.0/11.3	55/3.8	7.5	EPDM	Santoprene	½"-14 MNPT	2-Pin/Leads
SFDP2-030-055-42	24 V	Switch & By pass	3.0/11.3	55/3.8	4.0	EPDM	Santoprene	½"-14 MNPT	2-Pin/Leads
SFDP1-030-055-42	115 V	Switch & By pass	3.0/11.3	55/3.8	1.1	EPDM	Santoprene	½"-14 MNPT	Leads/Plug
SFDP2-030-055-42	220 V	Switch & By pass	3.0/11.3	55/3.8	0.5	EPDM	Santoprene	½"-14 MNPT	Leads/Plug

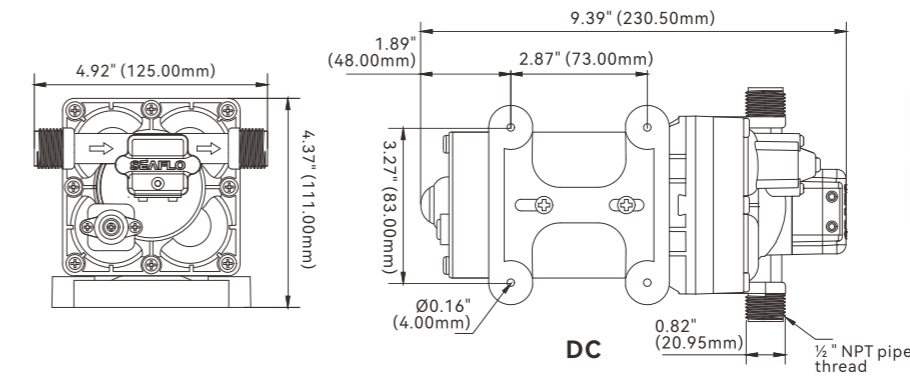
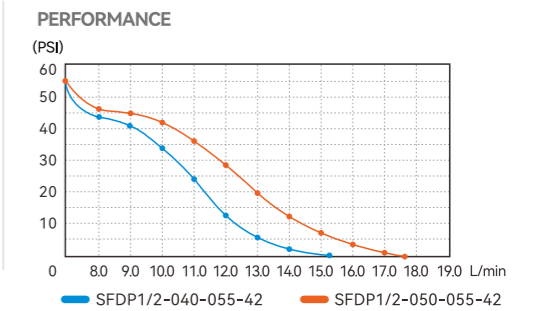
### 42 Series (long) Water Pump

#### FEATURES & BENEFITS

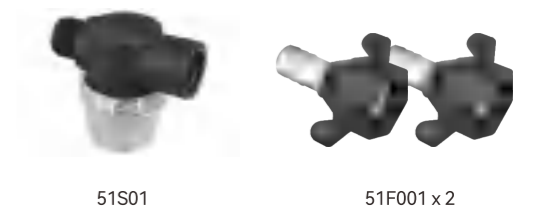
- Up to 5.0 GPM
- Self priming
- Run dry safe
- Quiet operation
- On-demand use
- Industry Standard mounting pattern
- Completely rubber mounting-base
- Internal bypass technology reduces cycling
- 14 AWG, 9.4"(23.8 cm) long Leads

#### PUMP

- Max Recommended Temperature**  
140 °F (60 °C) Max.
- Priming Capabilities**  
6 feet (1.8 m) suction lift
- Inlet/Outlet Ports**  
½" MNPT
- Weight**  
5.95 lbs (2.7 kg)

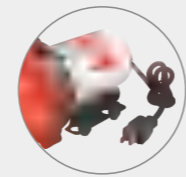
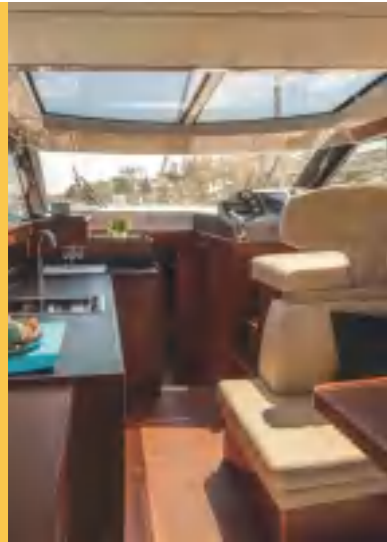


#### Standard Accessories

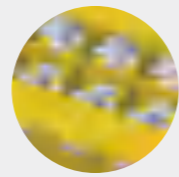


#### Standard Pump Configurations

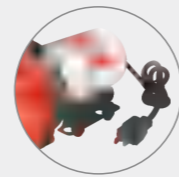
Model	Voltage	Control Type	GPM/LPM	PSI/BAR	Max Draw(A)	Valves	Diaphragm	Ports	Wire Connections
SFDP1-040-035-42	12 V	Switch & By pass	4.0/15.1	35/2.4	12.0	EPDM	Santoprene	½" MNPT	2-Pin/Leads
SFDP2-040-035-42	24 V	Switch & By pass	4.0/15.1	35/2.4	6.0	EPDM	Santoprene	½" MNPT	2-Pin/Leads
SFDP2-050-035-42	24 V	Switch & By pass	5.0/18.9	35/2.4	7.0	EPDM	Santoprene	½" MNPT	2-Pin/Leads
SFDP1-040-055-42	12 V	Switch & By pass	4.0/15.1	55/3.8	14.00	EPDM	Santoprene	½" MNPT	2-Pin/Leads
SFDP2-040-055-42	24 V	Switch & By pass	4.0/15.1	55/3.8	7.00	EPDM	Santoprene	½" MNPT	2-Pin/Leads
SFDP1-050-055-42	12 V	Switch & By pass	5.0/18.9	55/3.8	15.00	EPDM	Santoprene	½" MNPT	2-Pin/Leads
SFDP2-050-055-42	24 V	Switch & By pass	5.0/18.9	55/3.8	7.50	EPDM	Santoprene	½" MNPT	2-Pin/Leads
SFDP1-040-055-42	115V	Switch & By pass	4.0/15.1	55/3.8	1.80	EPDM	Santoprene	½" MNPT	Leads/Plug
SFDP2-040-055-42	220V	Switch & By pass	4.0/15.1	55/3.8	0.85	EPDM	Santoprene	½" MNPT	Leads/Plug



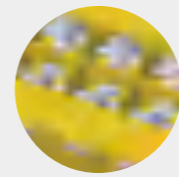
51 NEW-AC Pump



Industry Carton



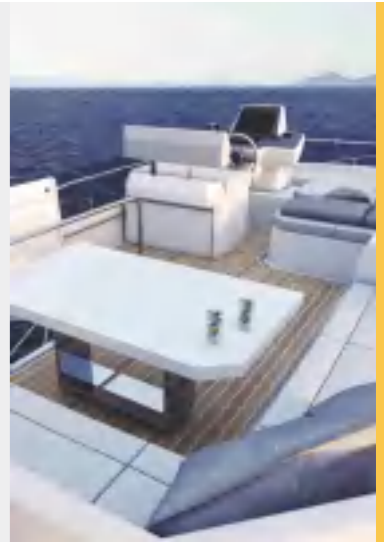
55-AC Pump



Industry Carton



Color Box



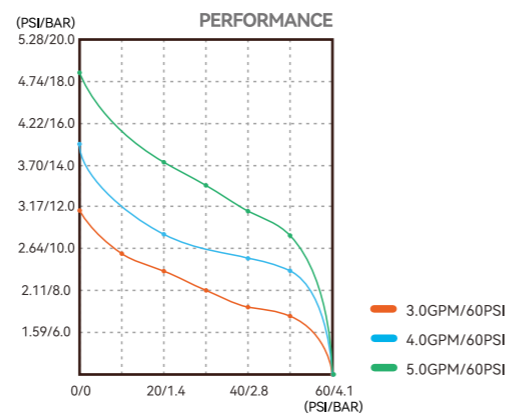
### 51 New Series Water Pump

#### FEATURES & BENEFITS

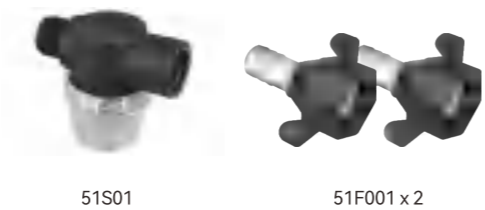
- Precise pressure control and stable performance
- Good sealing performance, waterproof and dustproof
- Low starting pressure, reduces cycling
- Good heat dissipation
- Longer pump life
- Can supply up to 4 fixtures
- Run dry capable for normal workloads
- Very quiet operation
- On-demand only
- Fresh water or salt water available
- 16 AWG, 9"(22.8 cm) long leads

#### PUMP

- Max Recommended Temperature**  
140 °F (60 °C) Max.
- Priming Capabilities**  
6 feet (1.8 m) suction lift
- Inlet/Outlet Ports**  
½" MNPT
- Weight**  
5.9 lbs (2.68 kg)

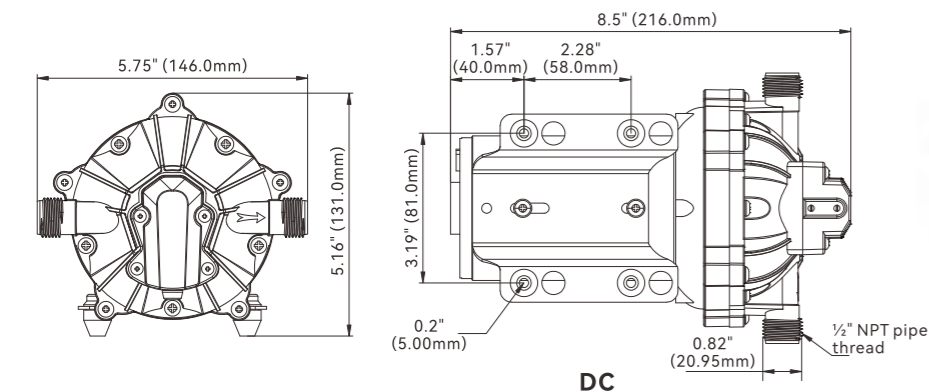


#### Standard Accessories



51S01

51F001 x 2



DC

#### Standard Pump Configurations

Model	Voltage	Control Type	GPM/LPM	PSI/BAR	Max Draw(A)	Valves	Diaphragm	Ports	Wire Connections
SFDP1-040-060-51 NEW	12V	Switch	4.0/15.1	60/4.2	14.0	EPDM	Santoprene	½"-14 MNPT	2-Pin/Leads
SFDP2-040-060-51 NEW	24V	Switch	4.0/15.1	60/4.2	7.0	EPDM	Santoprene	½"-14 MNPT	2-Pin/Leads
SFDP1-050-060-51 NEW	12V	Switch	5.0/18.9	60/4.2	17.0	EPDM	Santoprene	½"-14 MNPT	2-Pin/Leads
SFDP2-050-060-51 NEW	24V	Switch	5.0/18.9	60/4.2	8.0	EPDM	Santoprene	½"-14 MNPT	2-Pin/Leads
SFDP1-050-060-51 NEW	115V	Switch	5.0/18.9	60/4.2	2.56	EPDM	Santoprene	½"-14 MNPT	Leads/Plug
SFDP2-050-060-51 NEW	220V	Switch	5.0/18.9	60/4.2	1.28	EPDM	Santoprene	½"-14 MNPT	Leads/Plug

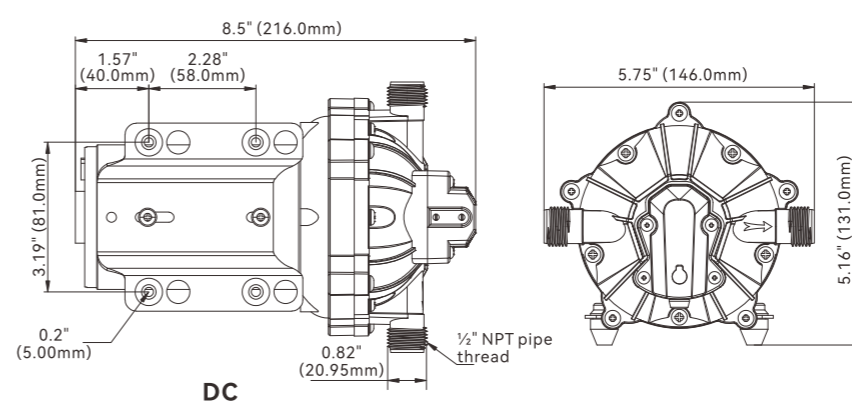
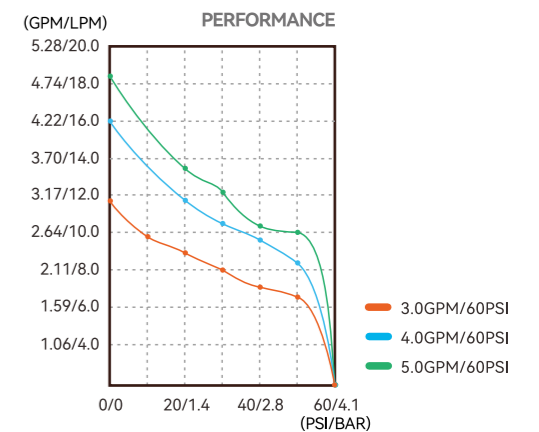
### 55 Series Water Pump With Bypass

#### FEATURES & BENEFITS

- Precise pressure control and stable performance
- Good sealing performance, waterproof and dustproof
- Low starting pressure, reduces cycling
- Good heat dissipation
- Longer pump life
- Can supply up to 4 fixtures
- Run dry capable for normal workloads
- Very quiet operation
- On-demand combine with by-pass
- Fresh water or salt water available
- 16 AWG, 9"(22.8 cm) long Leads

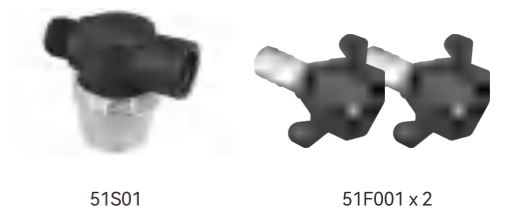
#### PUMP

- Max Recommended Temperature**  
140 °F (60 °C) Max.
- Priming Capabilities**  
6 feet (1.8 m) suction lift
- Inlet/Outlet Ports**  
½" MNPT
- Weight**  
5.9 lbs (2.68 kg)



DC

#### Standard Accessories



51S01

51F001 x 2

#### Standard Pump Configurations

Model	Voltage	Control Type	GPM/LPM	PSI/BAR	Max Draw(A)	Valves	Diaphragm	Ports	Wire Connections
SFDP1-040-060-55	12V	Switch & By Pass	4.0/15.0	60/4.2	14.0	EPDM	Santoprene	½"-14 MNPT	2-Pin/Leads
SFDP2-040-060-55	24V	Switch & By Pass	4.0/15.0	60/4.2	7.0	EPDM	Santoprene	½"-14 MNPT	2-Pin/Leads
SFDP1-050-060-55	12V	Switch & By Pass	5.0/18.9	60/4.2	17.0	EPDM	Santoprene	½"-14 MNPT	2-Pin/Leads
SFDP2-050-060-55	24V	Switch & By Pass	5.0/18.9	60/4.2	8.0	EPDM	Santoprene	½"-14 MNPT	2-Pin/Leads
SFDP1-050-060-55	115V	Switch & By Pass	5.0/18.9	60/4.2	2.56	EPDM	Santoprene	½"-14 MNPT	Leads/Plug
SFDP2-050-060-55	220V	Switch & By Pass	5.0/18.9	60/4.2	1.28	EPDM	Santoprene	½"-14 MNPT	Leads/Plug

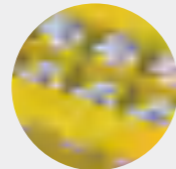
**NEW**



**Variable Speed**



Color Box



Industry Carton

**NEW**



Kraft Box

### 56C Series Variable Speed Smart Pump

#### FEATURES & BENEFITS

- Variable speed technology
- Motor speed adjusts to water needs
- Capable of sustained low voltage operation
- Waterproof grade IPX5
- Run dry safe, long service life
- Strong suction, suction lift up to 1.8m
- CE, UKCA, RoHS, REACH, PAHS
- Quiet operation, bypass technology reduces cycling
- 5-chamber diaphragm pump operates more stably and smoothly

#### PUMP

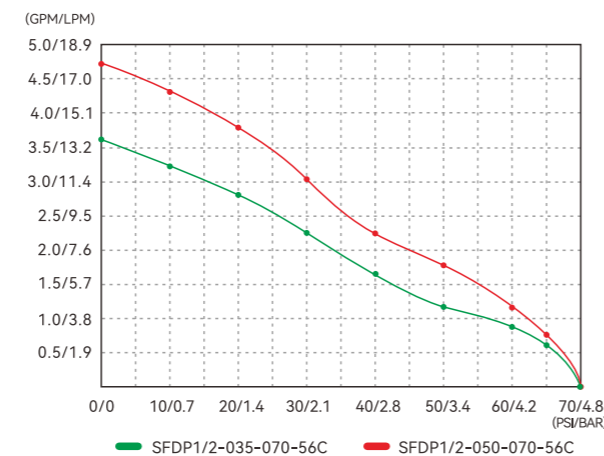
**Max Recommended Temperature**  
140 °F (60 °C) Max.

**Priming Capabilities**  
6 feet (1.8 m) suction lift

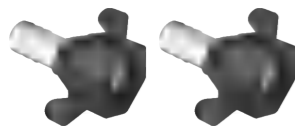
**Inlet/Outlet Ports**  
½" MNPT

**Weight**  
6.57 lbs (2.98 kg)

#### PERFORMANCE



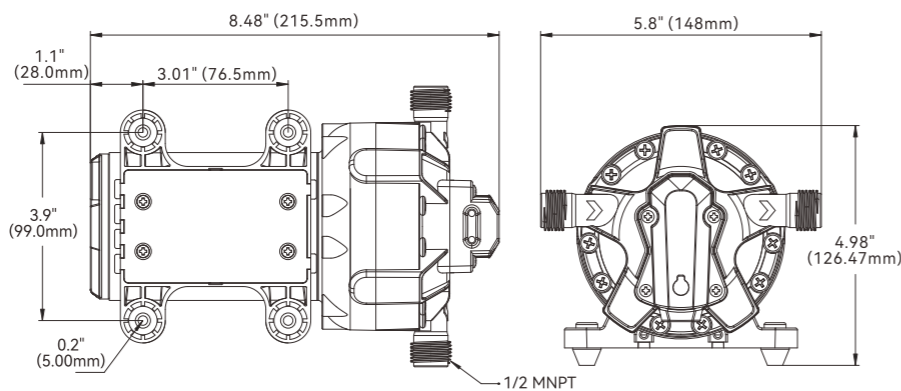
#### Standard Accessories



51F001 x 2



51S01



#### Standard Pump Configurations

Model	Voltage	Control Type	GPM/LPM	PSI/BAR	Max Draw(A)	Valves	Diaphragm	Ports	Wire Connections
SFDP1-035-070-56C	12 V	Variable Speed	3.5/13.2	70/4.8	7.5	EPDM	Santoprene	½" MNPT	2-Pin/Leads
SFDP2-035-070-56C	24 V	Variable Speed	3.5/13.2	70/4.8	4.0	EPDM	Santoprene	½" MNPT	2-Pin/Leads
SFDP1-050-070-56C	12 V	Variable Speed	5.0/18.9	70/4.8	10.0	EPDM	Santoprene	½" MNPT	2-Pin/Leads
SFDP2-050-070-56C	24 V	Variable Speed	5.0/18.9	70/4.8	5.5	EPDM	Santoprene	½" MNPT	2-Pin/Leads

### 56 Series Portable Cleaning Kit

#### FEATURES & BENEFITS

- 1/2" NPTF connector can be directly connected to the pipe or used with a quick coupling
- Pump station integrated design, easy to use
- Advanced IPX6 rating waterproof outer box
- High-power water pump, flow up to 5.0GPM
- Automatic shut-off pressure switch
- Quiet operation, Capable of dry running
- With 17' (5.2m) UV-protected coiled hose coil and adjustable sprayer

#### PUMP

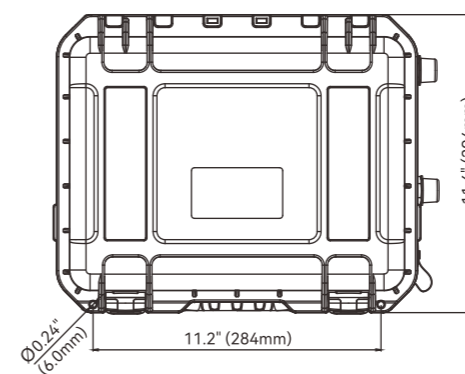
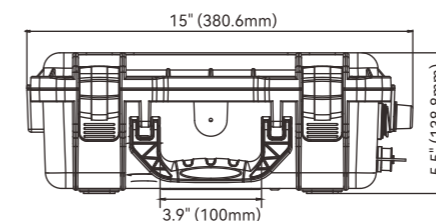
**Liquid temperature**  
140 °F (60 °C) Max.

**Priming Capabilities**  
5 feet (1.5 m) suction lift

**Max Pressure**  
70 PSI (4.8 BAR)

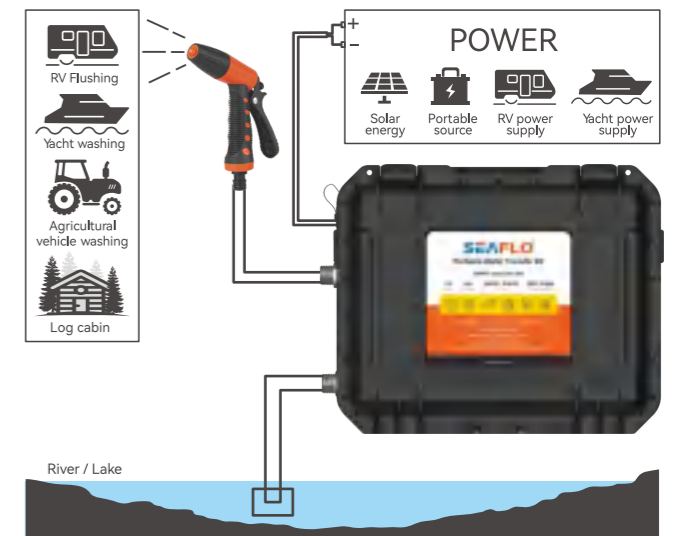
**Weight**  
11.2 lbs (5.1 kg)

#### Standard Accessories

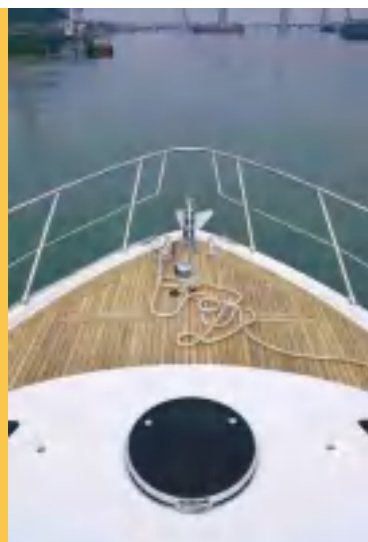


#### Standard Pump Configurations

Model	Voltage	Open Flow (GPM/LPM)	Control Type	Max Draw(A)	Shut-off Pressure (PSI/BAR)	Valves	Diaphragm	Ports	Wire Connections
SFWP1-050-070-56P	12 V	5.0 / 18.9	Demand & By pass	20.0	70 / 4.8	EPDM	Santoprene	½" NPTF	Waterproof connector



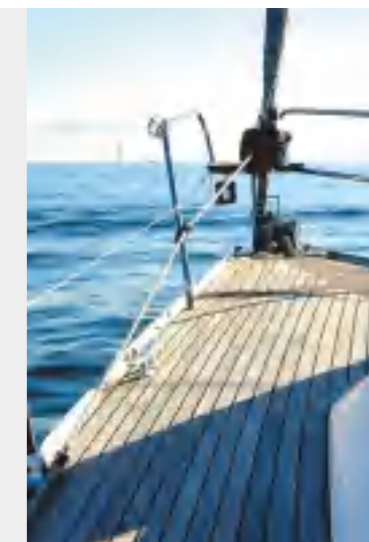
FRESH WATER PUMPS



Color Box



Color Box



FRESH WATER PUMPS

### 33 Series Washdown Pump Kit With 20' Coiled Hose

#### FEATURES & BENEFITS

- Positive displacement pump
- Can run dry
- Quiet operation
- Demand pump
- Easy connect fittings
- Ignition protected
- Industry standard mount pattern

#### PUMP

- Liquid temperature 140 °F (60 °C) Max.
- Priming Capabilities 6 feet (1.8 m) suction lift
- Inlet/Outlet Ports ½" -14MNPT
- Weight 6.74 lbs (3.06 kg) -33 series

#### Includes:

- 3.0/5.0 GPM Heavy-Duty Washdown Pump
- Trigger Spray Nozzle w/ Quick Connect
- 20' Coiled Hose (UV Protected, ½")
- Quick Hose Disconnect Fitting
- 50 Mesh Inlet Strainer
- ½" Barbed Fittings

### 51 Series Washdown Pump Kit With 20' Coiled Hose

#### FEATURES & BENEFITS

- Positive displacement pump
- Can run dry
- Quiet operation
- Demand pump
- Easy connect fittings
- Ignition protected
- Industry standard mount pattern

#### PUMP

- Liquid temperature 140 °F (60 °C) Max.
- Priming Capabilities 6 feet (1.8 m) suction lift
- Inlet/Outlet Ports ½" -14MNPT
- Weight 8.2 lbs (3.72 kg) -51 series

#### Includes:

- 3.0/5.0 GPM Heavy-Duty Washdown Pump
- Trigger Spray Nozzle w/ Quick Connect
- 20' Coiled Hose (UV Protected, ½")
- Quick Hose Disconnect Fitting
- 50 Mesh Inlet Strainer
- ½" Barbed Fittings



51F001

51F002

51F003

51S01

51H01 (6.5 m)

51SG01

51F006

Blister



51F001

51F002

51F003

51S01

51H01 (6.5 m)

51SG01

51F006

Blister

#### Standard Pump Configurations

Model	Voltage	Switch	GPM/LPM	PSI/BAR	Max Draw(A)	Valves	Diaphragm	Ports	Wire Connections
SFWP1-030-070-33	12 V	Demand	3.0/11.3	70/4.8	11	EPDM	Santoprene	½" -14 MPNT	2-Pin/Leads
SFWP2-030-070-33	24 V	Demand	3.0/11.3	70/4.8	5	EPDM	Santoprene	½" -14 MPNT	2-Pin/Leads

#### Standard Pump Configurations

Model	Voltage	Switch	GPM/LPM	PSI/BAR	Max Draw(A)	Valves	Diaphragm	Ports	Wire Connections
SFWP1-050-070-51 NEW	12 V	Demand	5.0/18.9	70/4.8	17	EPDM	Santoprene	½" -14 MPNT	2-Pin/Leads
SFWP2-050-070-51 NEW	24 V	Demand	5.0/18.9	70/4.8	10	EPDM	Santoprene	½" -14 MPNT	2-Pin/Leads
SFWP1-055-070-51 NEW	12 V	Demand	5.5/20.0	70/4.8	17	EPDM	Santoprene	½" -14 MPNT	2-Pin/Leads
SFWP2-055-070-51 NEW	24 V	Demand	5.5/20.0	70/4.8	10	EPDM	Santoprene	½" -14 MPNT	2-Pin/Leads



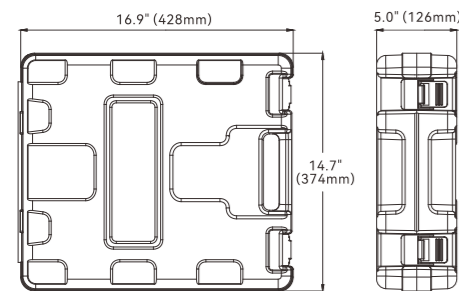
## 41 Series Portable Washdown Pump Kit

### FEATURES & BENEFITS

- 6.5M UV-protected Coiled Hose Coil
- 2M Inlet Hose
- Easy to use, store, and carry on
- Adjustable sprayer
- Built-in by pass valve
- Smooth flowing
- Quiet Operation
- 16 AWG, 4.5"(11.4 cm) long Leads

### PUMP

- Liquid temperature**  
140 °F (60 °C) Max.
- Priming Capabilities**  
6 feet(1.8 m) suction lift
- Max Pressure**  
70 PSI (4.8 BAR)
- Weight**  
11 lbs (5 kg)



Color Box

### Standard Accessories



### Standard Pump Configurations

Model	Voltage	Open Flow (GPM/LPM)	Control Type	Max Draw(A)	Shut-off Pressure (PSI/BAR)	Valves	Diaphragm	Ports	Wire Connections
SFWP1-045-070-41	12V	4.5 / 17.0	Demand & By pass	17.0	70 / 4.8	EPDM	Santoprene	Quick attach	2-Pin/Leads

## 20' Coil Hose Washdown Kit

### FEATURES & BENEFITS

- Consists of UV-protected 20' (6.5 m) Coiled 1/3" I.D. Hose, spray nozzle with adjustable tip and contoured grip and bronze fittings.
- Coil hose eliminates any kinks that may arise from normal water hose.
- Designed to facilitate easy, neat, safe storage.
- Great for large cockpits, dockside installation and even home cleaning use.



Model	SFHW2-060-01		
Spray Gun	Connector: 3/8"QA	Pressure: 0-8 Bar	
Contoured Grip	Connector: 3/8"QA * 3/8"QA	Diameter: ID 1/2"	Length: 20'
Adaptor	Connector: 1/4"FNPT / 1/2"FNPT / 1"FNPT * 3/8"QA		

## Pressurized Accumulator Tank 0.75 L/1 L

Accumulator tanks hold a reservoir of air and water down stream from the pump. The air acts as a cushion, absorbing pump and pressure fluctuations, smoothing the flow and making the system quieter. Accumulators allow the pump to reach shut-off pressure more smoothly which reduces the on/off cycle which gives better control of hot water delivery.

### FEATURES & BENEFITS

- Smoother flow, quieter water systems.
- Internal rubber membrane eliminates maintenance and allows universal mounting.
- Better control of hot water temperatures.

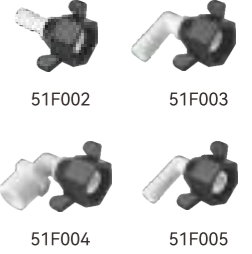
- Simply fitted to new or existing systems.
- Longer pump life, lower battery drain.
- Snap-in port fittings.

### Standard Accessories:

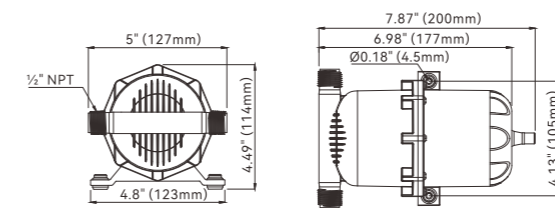


51F001 x 2

### Optional Accessories:



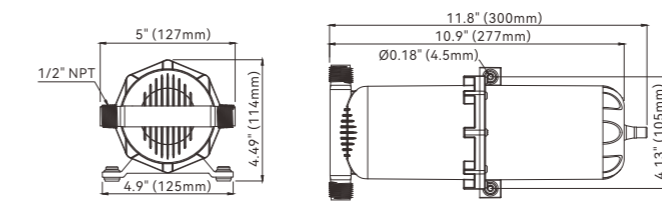
51F002 51F003  
51F004 51F005



0.75 L

### Product Specifications

Model	Internal Volume	Pre-charge Pressure	Max Operating Pressure	Air Fill Valve	Inlet/Outlet Dia	Weight	Dimensions
SFAT-075-125-01	0.75 L 25 FL OZ	10 PSI 0.7 BAR	125 PSI 8.6 BAR	standard automotive style tire valve	1/2" MNPT	360 g	8.1" x 4.6" 205mm x 116mm



1 L

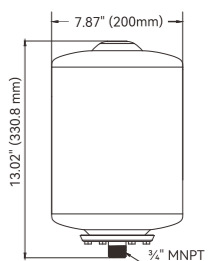
### Product Specifications

Model	Internal Volume	Pre-charge Pressure	Max Operating Pressure	Air Fill Valve	Inlet/Outlet Dia	Weight	Dimensions
SFAT-100-125-01	1.0 L 33.8 FL OZ	10 PSI 0.7 BAR	125 PSI 8.6 BAR	standard automotive style tire valve	1/2" MNPT	660 g	12" x 4.6" 300mm x 114mm

## 8L Water Accumulator Tank

### FEATURES & BENEFITS

- Making flow more smoother
- Prolong pump's service life
- protective coating for corrosion resistance
- 3/4" MNPT thread for convenient installation in the water system



Kraft Box

### Standard Pump Configurations

Model	Tank Volume	Max. Pressure	Inlet/outlet size	Net Weight
SFAT-087-021-01	8L	87 PSI (6 Bar)	3/4" MNPT	2 KG

FRESH WATER PUMPS



Color Box



Kraft Box



FRESH WATER PUMPS

### 33 Series Economic Water Pressure System

3.0 GPM/11.3LPM Pump with Integrated Accumulator Tank

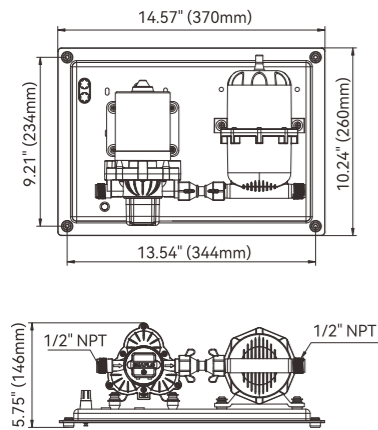
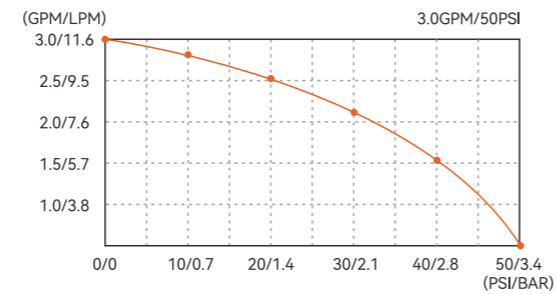
#### FEATURES & BENEFITS

- Powerful 3.0 gallons / 11.3 litres per minute of flow
- Ultra quiet with constant and steady flow
- Superior self-priming capabilities
- Powerful enough to supply up to 3 fixtures
- Built-in adjustable pressure switch
- Easy pre-assembled installation
- Heavy-duty, corrosion resistant motor
- Capable of being run dry without damage
- Can be fitted to new or existing systems

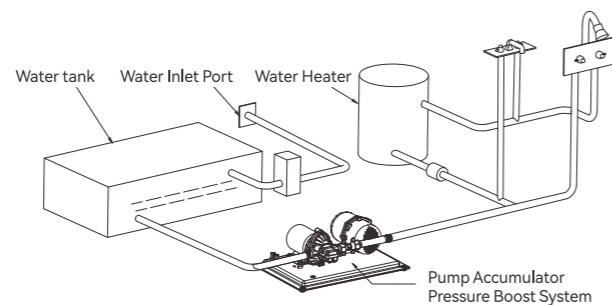
#### PUMP

- Max Recommended Temperature**  
140°F(60°C) Max.
- Priming Capabilities**  
6 feet (1.8 m) suction lift
- Inlet/Outlet Ports**  
½"MNPT
- Weight**  
7.1 lbs (3.2 kg)

#### PERFORMANCE



#### Standard Accessories



#### Standard Pump Configurations

Model	Tank Volume	Voltage	Control Type	GPM/LPM	Pressure On (PSI/BAR)	Pressure Off (PSI/BAR)	Max Draw(A)	Ports	Wire Connections
SFWSK1-030-045-002	0.75 L	12 V	Switch	3.0 / 11.3	35 / 2.4	45 / 3.1	11.0	½" MNPT	2-Pin/Leads
SFWSK2-030-045-002	0.75 L	24 V	Switch	3.0 / 11.3	35 / 2.4	45 / 3.1	5.5	½" MNPT	2-Pin/Leads

### Luxury Pump Accumulator Pressure Boost System

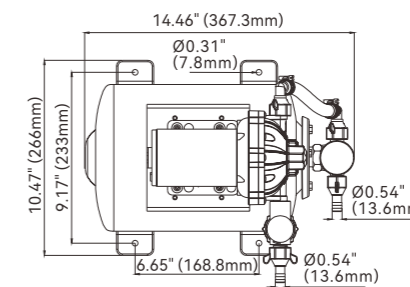
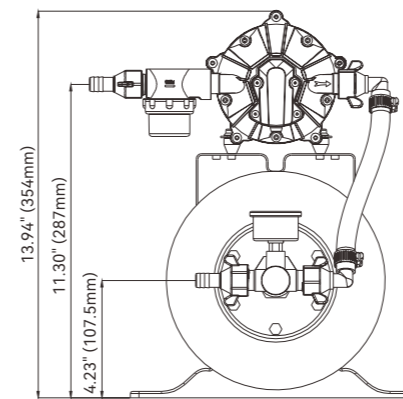
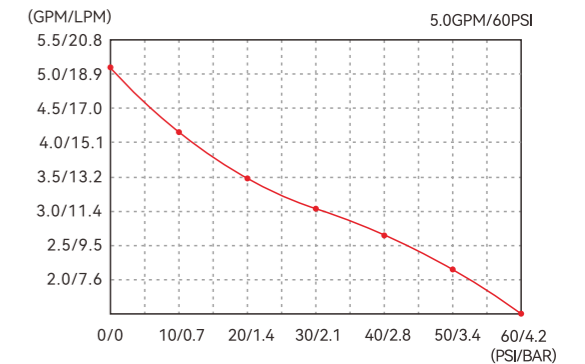
#### FEATURES & BENEFITS

- Smoother flow, quieter water systems.
- Longer pump life, lower battery drain.
- Self-priming up to 6 feet (1.8 m).
- Five Chamber diaphragms for smooth and quiet operation.
- Can be installed vertically or horizontally.
- Maintenance free potable water quality accumulator tank.
- Complies with USCG 183.410 and ISO 8846 MARINE (Ignition Protection).
- 16 AWG, 4.5" long Leads

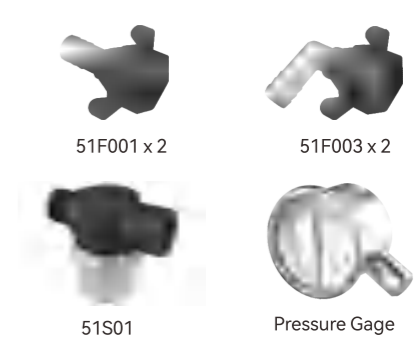
#### PUMP

- Max Recommended Temperature**  
140°F(60°C) Max.
- Priming Capabilities**  
6 feet (1.8 m) suction lift
- Inlet/Outlet Ports**  
½" barb
- Weight**  
11.9 lbs (5.4 kg)

#### PERFORMANCE



#### Standard Accessories



#### Standard Pump Configurations

Model	Tank Volume	Voltage	Control Type	GPM/LPM	Pressure On (PSI/BAR)	Pressure Off (PSI/BAR)	Max Draw(A)	Ports	Wire Connections
SFWSK1-030-060-0021 NEW	8 L	12 V	Switch	3.0/11.3	40/2.8	60/4.2	10.0	½" barb	2-Pin/Leads
SFWSK2-030-060-0021 NEW	8 L	24 V	Switch	3.0/11.3	40/2.8	60/4.2	5.5	½" barb	2-Pin/Leads
SFWSK1-040-060-0021 NEW	8 L	12 V	Switch	4.0/15.0	40/2.8	60/4.2	13.0	½" barb	2-Pin/Leads
SFWSK2-040-060-0021 NEW	8 L	24 V	Switch	4.0/15.0	40/2.8	60/4.2	7.0	½" barb	2-Pin/Leads
SFWSK1-050-060-0021 NEW	8 L	12 V	Switch	5.0/18.9	40/2.8	60/4.2	17.0	½" barb	2-Pin/Leads
SFWSK2-050-060-0021 NEW	8 L	24 V	Switch	5.0/18.9	40/2.8	60/4.2	9.0	½" barb	2-Pin/Leads

SELF-PRIMING BILGE PUMPS



Color Box

Bronze Pump Head



Color Box

Plastic Pump Head



SELF-PRIMING BILGE PUMPS

### Self-priming Bilge Pumps

#### FEATURES & BENEFITS

- Sealed motor design
- Thermally Protected Motor
- High Quality Efficient Motor
- Self-priming
- Stainless Steel Shaft
- Great for bilge water that traditional pumps cannot get to

#### PUMP

- Liquid Temperature 140°F (60°C) Max.
- Priming Capabilities 4 feet (1.2 m) suction lift
- Power 10 amps max current draw
- Max Pressure 3 m (9.8 ft)

#### MOTOR

- Type High quality seamless design that is thermally protected
- Leads Wire leads
- Duty Cycle Intermittent
- Voltage 12 V/24V

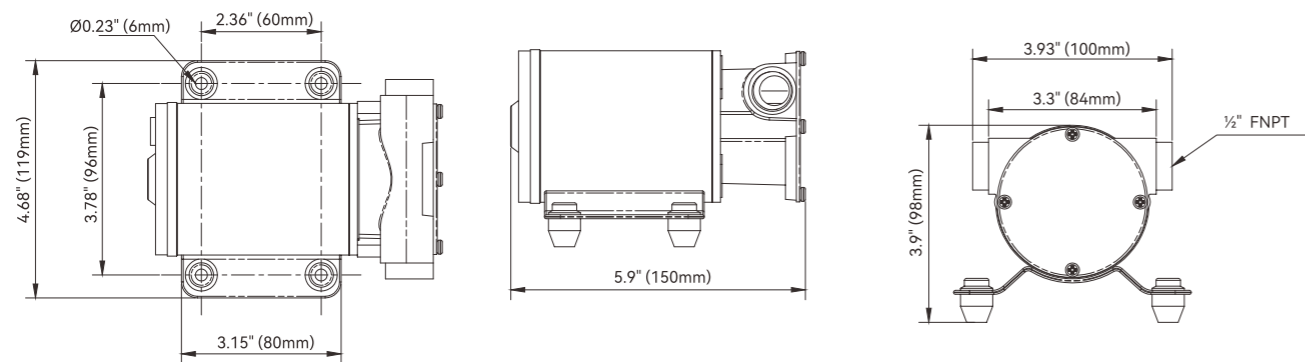
#### Optional Accessories



Impeller (0.31") 8mm

#### TYPICAL APPLICATIONS

- Bilge pump
- Industrial use
- Water transfer



### Self-priming Bilge Pumps

#### FEATURES & BENEFITS

- Sealed motor design
- Thermally Protected Motor
- High Quality Efficient Motor
- Self-priming
- Stainless Steel Shaft
- Great for bilge water that traditional pumps cannot get to

#### PUMP

- Liquid Temperature 140°F (60°C) Max.
- Priming Capabilities 4 feet (1.2 m) suction lift
- Power 10 amps max current draw
- Max Pressure 3 m (9.8 ft)

#### MOTOR

- Type High quality seamless design that is thermally protected
- Leads Wire leads
- Duty Cycle Intermittent
- Voltage 12 V/24V

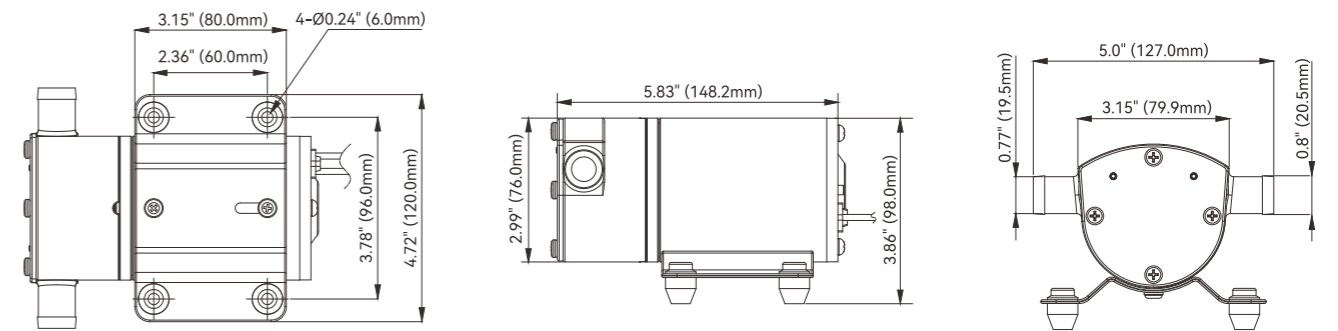
#### Optional Accessories



Impeller (0.31") 8mm

#### TYPICAL APPLICATIONS

- Bilge pump
- Industrial use
- Water transfer



#### Standard Pump Configurations

Model	Voltage	GPM/LPM	Pump Head	Impeller	Ports	Lead	Molded	Max Draw(A)
SFSP1-080-003-01	12V	8.0 / 30.0	Bronze	Rubber & copper	½" FNPT	Yes	N/A	10.0
SFSP2-080-003-01	24V	8.0 / 30.0	Bronze	Rubber & copper	½" FNPT	Yes	N/A	7.0

#### Standard Pump Configurations

Model	Voltage	GPM/LPM	Pump Head	Impeller	Ports	Lead	Molded	Max Draw(A)
SFSP1-080-003-02	12V	8.0 / 30.0	Plastic	Rubber & copper	¾" hose barb	Yes	N/A	10.0
SFSP2-080-003-02	24V	8.0 / 30.0	Plastic	Rubber & copper	¾" hose barb	Yes	N/A	5.0

**NEW**



Color Box

Optional Accessories



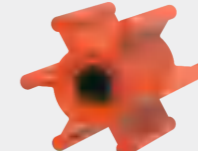
Impeller  
(0.87") 22mm

**NEW**



Color Box

Optional Accessories

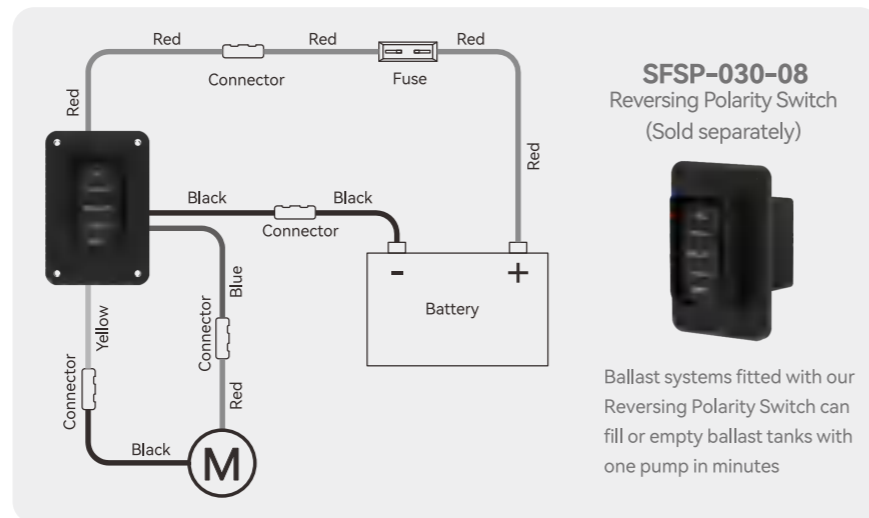


Impeller  
(1.73") 44mm

**Ballast Pump 01 Series**

**FEATURES & BENEFITS**

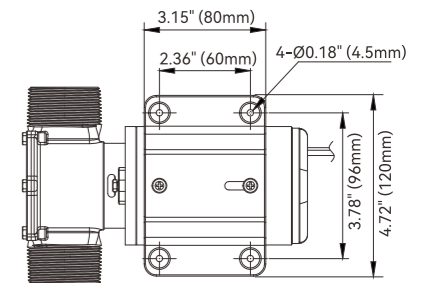
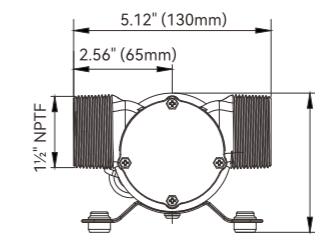
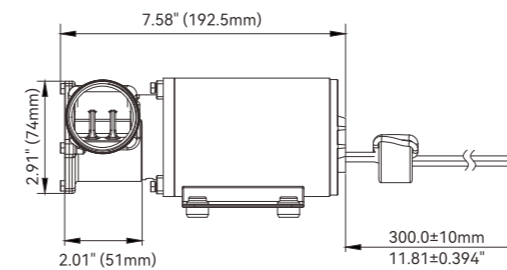
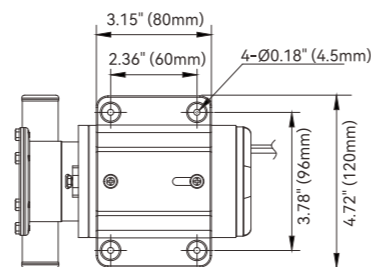
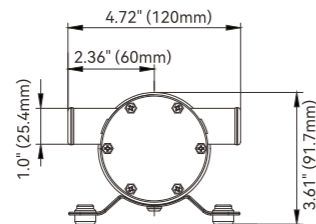
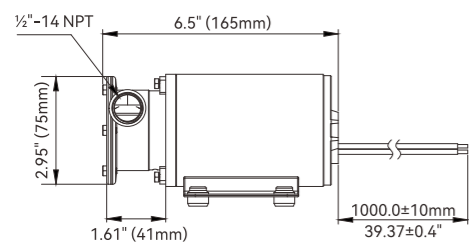
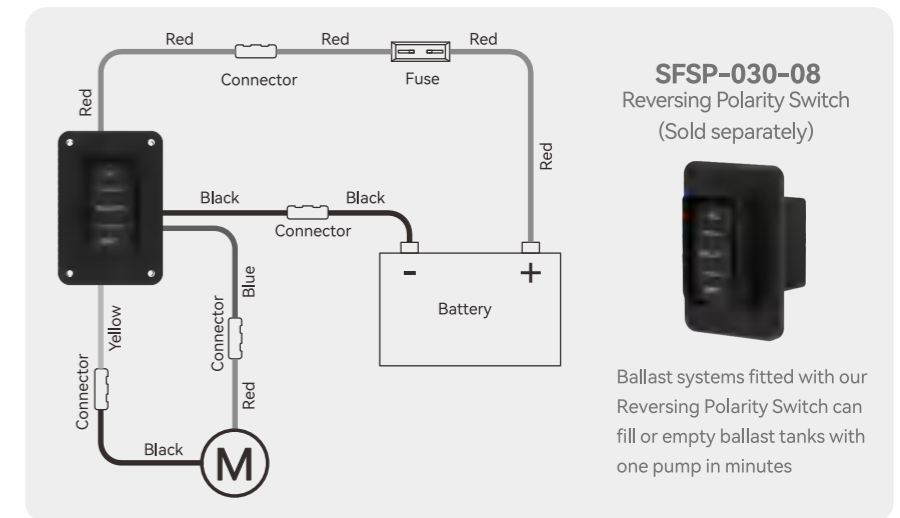
- Reversible pump both fills and empties ballast tanks
- 13.5 GPM / 50 LPM flow rate
- Self-priming to 6.5 ft. (2m)
- Use with Reversing Polarity Switch to fill or empty ballast tanks
- High performance and output of intermittent work cycles
- Improved impeller designed for run dry for short duration
- Built in thermal overload protection, automatically reset after cooling



**Ballast Pump 02 Series**

**FEATURES & BENEFITS**

- Reversible pump both fills and empties ballast tanks
- 30 GPM / 113 LPM flow rate
- Self-priming to 6.5 ft. (2m)
- Use with Reversing Polarity Switch to fill or empty ballast tanks
- High performance and output of intermittent work cycles
- Improved impeller designed for run dry for short duration
- Built in thermal overload protection, automatically reset after cooling



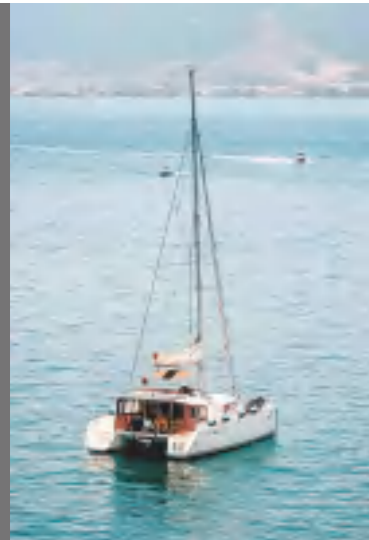
**Standard Pump Configurations**

Model	Voltage	GPM/LPM	Impeller	Head	Amp (A)	Ports
SFSP1-050-003-01	12 V	13.5 / 50	TPU	2 m / 6.5'	14	1/2" NPT
SFSP2-050-003-01	24 V	13.5 / 50	TPU	2 m / 6.5'	7	1/2" NPT

**Standard Pump Configurations**

Model	Voltage	GPM/LPM	Impeller	Head	Amp (A)	Ports
SFSP1-113-009-02	12 V	30 / 113	TPU	2 m / 6.5'	20	1 1/2" NPT
SFSP2-113-009-02	24 V	30 / 113	TPU	2 m / 6.5'	10	1 1/2" NPT

MACERATOR PUMP



Color Box

**NEW**



19mm (3/4") X 2 38mm (1-1/2") X 2 Check Valve x 5  
Standard Accessories



Color Box



TOILET & SHOWER & SINK WASTE PUMP

### Macerator Pump 01 Series

#### FEATURES & BENEFITS

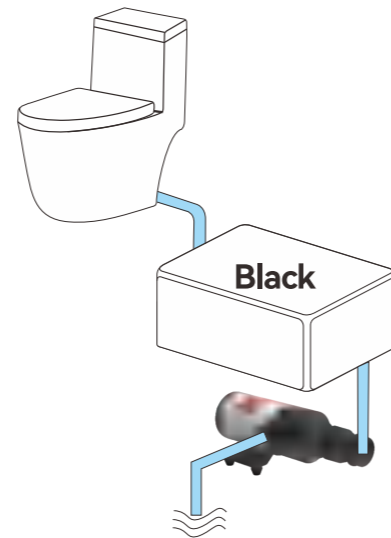
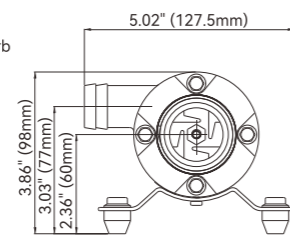
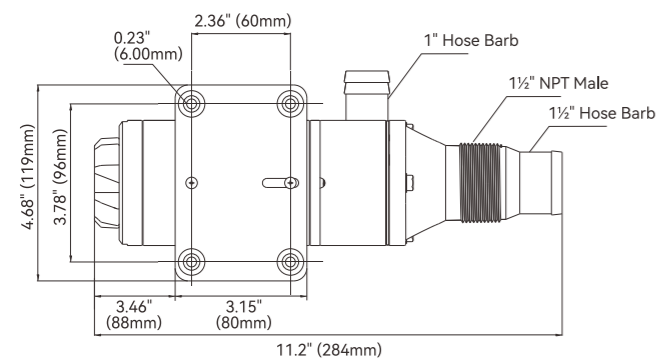
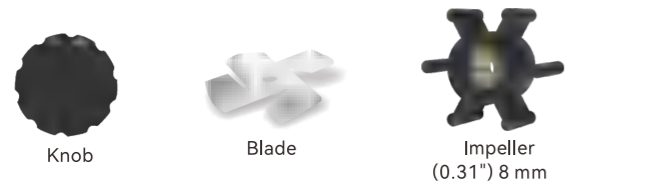
- Completely new design
- Sealed motor
- Easy reach knob in case of clogs
- Run Dry for short periods of time
- New 4-blade design
- Thermally Protected
- Ignition Protected

#### PUMP

- Liquid Temperature**  
140 °F (60 °C) Max.
- Power**  
12 amps max current draw
- Weight**  
4.9 lbs (2.24 kg)

#### Inlet/Outlet Ports

- Inlet:**  
1.5" (39 mm) Hose Barb  
1.5" (39 mm) Threaded Fitting
- Outlet:**  
1" Hose Barb



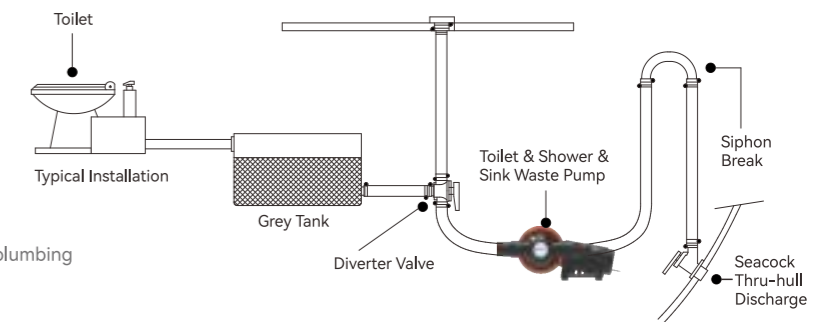
#### Standard Pump Configurations

Model	Voltage	GPM/LPM	Impeller	Ports	Lead	Molded	MaxDraw(A)
SFMP1-120-01	12 V	12/45.0	Rubber & Copper	Inlet 1 1/2" Barb/1 1/2" NPT Outlet 1" Barb	Yes	N/A	12.0
SFMP2-120-01	24 V	12/45.0	Rubber & Copper	Inlet 1 1/2" Barb/1 1/2" NPT Outlet 1" Barb	Yes	N/A	6.0

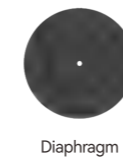
### Toilet & Shower & Sink Waste Pump

#### FEATURES & BENEFITS

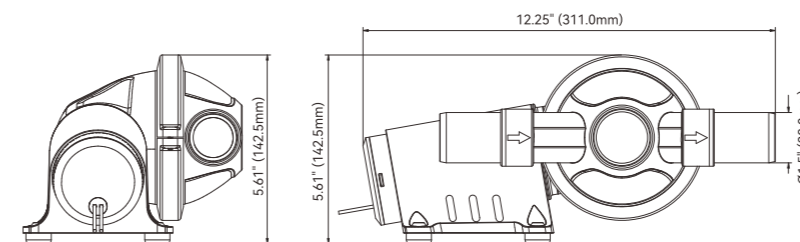
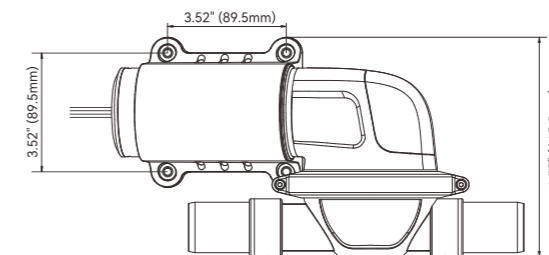
- Single diaphragm pump designed
- Uses multi-positional ports for easy mounting of the pump
- Flow up to 19 lpm (5 US gpm)
- Self-priming to 3m (9.5ft), dry run capability
- Connections for 38mm (1 1/2") or 19mm (3/4") ports
- The waste pump head assembly to be rotated 360° to accommodate plumbing
- No filter required
- Double outlet valves to ensure continuous flow



#### Optional Accessory



Diaphragm



360° rotating head for flexible installation



#### Standard Pump Configurations

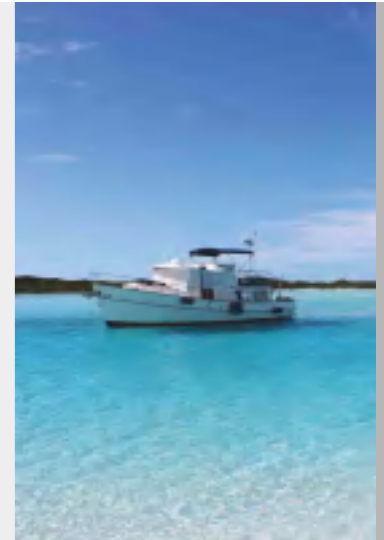
Model	Voltage	GPM/LPM	MaxDraw(A)	Suction lift	Port
SFMP1-07	12 V	5.0/19.0	8A	3m (9.5')	38mm (1 1/2") or 19mm (3/4")
SFMP2-07	24 V	5.0/19.0	2.5A	3m (9.5')	38mm (1 1/2") or 19mm (3/4")



Color Box



Color Box



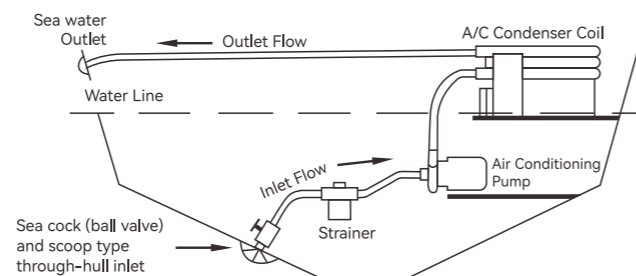
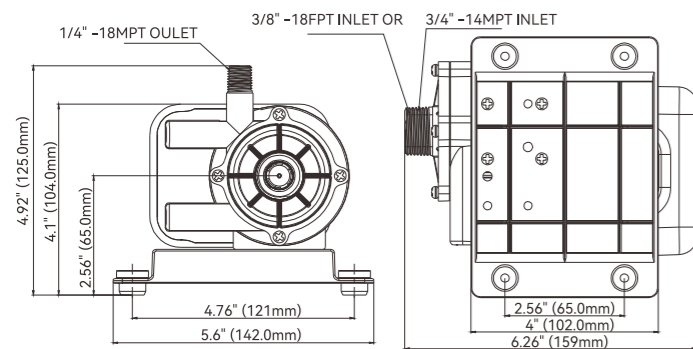
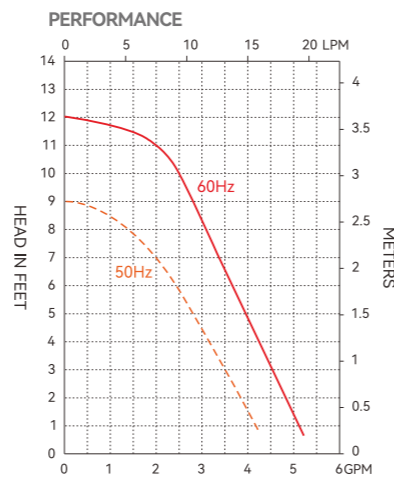
### Air Conditioning Pump 250 GPH

#### FEATURES & BENEFITS

- For use with AC system up to 12,000 BTU
- More than 10,000 hours lifetime
- 5 GPM seawater circulation pump
- Run dry safe for normal workloads
- Continuous duty
- Replaces any brand marine air conditioning pump

#### PUMP

**Liquid**  
130 °F (54 °C) Max.  
**Inlet/Outlet Ports**  
Inlet:  
3/8" NPT & 3/4" NPT  
Outlet:  
1/4" NPT



#### Standard Pump Configurations

Model	SFCPA1-G250-01		SFCPA2-G250-01	
	115 V		230 V	
Frequency	60 Hz	50 Hz	60 Hz	50 Hz
Flow Rate	5 GPM	18.5 LPM	5 GPM	18.5 LPM
Head	13' / 5.7 psi	8.8' / 2.7 m	13' / 5.7 psi	8.8' / 2.7 m
Power	56 W	56 W	55 W	55 W
Amps Draw	0.99 A	1.1 A	0.50 A	0.56 A

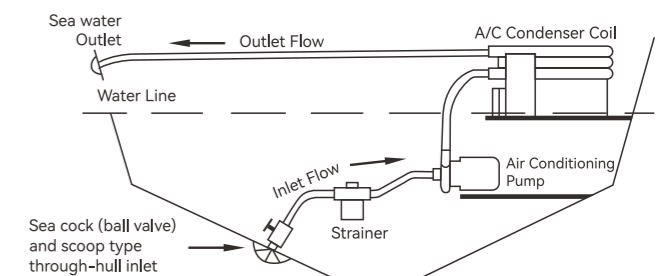
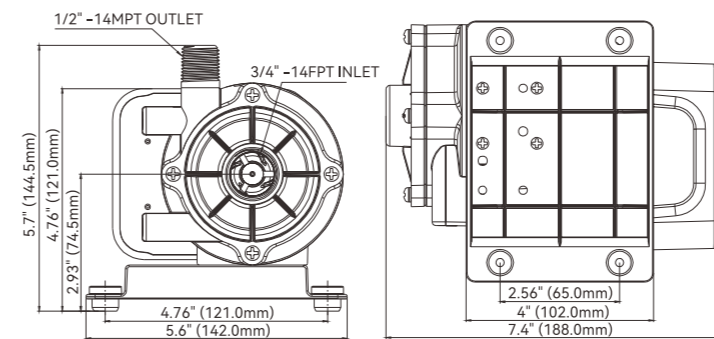
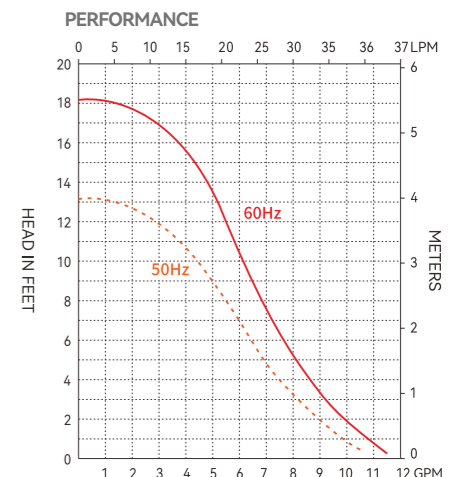
### Air Conditioning Pump 500 GPH

#### FEATURES & BENEFITS

- For use with AC system up to 12,000 BTU
- More than 10,000 hours lifetime
- 8.5 GPM seawater circulation pump
- Run dry safe for normal workloads
- Continuous duty
- Replaces any brand marine air conditioning pump

#### PUMP

**Liquid**  
130 °F (54 °C) Max.  
**Inlet/Outlet Ports**  
Inlet:  
3/4" FPT  
Outlet:  
1/2" MPT



#### Standard Pump Configurations

Model	SFCPA1-G500-01		SFCPA2-G500-01	
	115 V		230 V	
Frequency	60 Hz	50 Hz	60 Hz	50 Hz
Flow Rate	8.5 GPM	31 LPM	8.5 GPM	31 LPM
Head	19' / 8.2 psi	14' / 4.3m	19' / 8.2 psi	14' / 4.3m
Power	115 W	110 W	110 W	105 W
Amps Draw	1.8 A	1.9 A	0.9 A	0.9 A

OIL CHANGE SYSTEMS



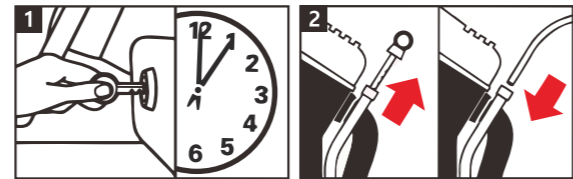
**NEW**

### Oil Change System 01

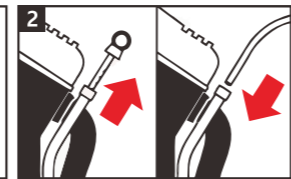
SEAFLO oil change system includes premium pump with 6 feet (1.8m) cables, battery clips, hose kit and 4 gallon (15 L) storage bucket. Incorporating SEAFLO advanced motor technology that includes thermal overload protection, this Oil Change System is self-priming, easy to install and extremely versatile. System simplifies the engine oil changing process, perfect for changing engine oil in Boats, RV's, Lawn and Garden Equipment.

#### FEATURES & BENEFITS

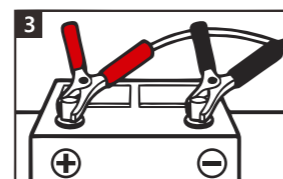
- Self-contained oil change system
- Self-priming up to 5 feet (1.5m), run dry capable pump, thermal overload protection
- Battery clamp leads and on-off switch to make pumping process quick and simple
- Secured fully assembled 4 gallon (15 L) pail prevents wobble and spillage
- Vent hole can prevent the barrel from expanding and unable to pump oil
- Drain Spout for easy pouring
- No spilling and very portable, easy to empty and easy to carry
- Easy to operate - four easy steps to fast, clean oil



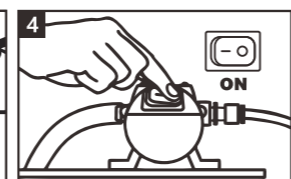
1 For quicker oil changes, start engine and run for 5 minutes to heat the oil.



2 Remove the dipstick and insert the suction probe.

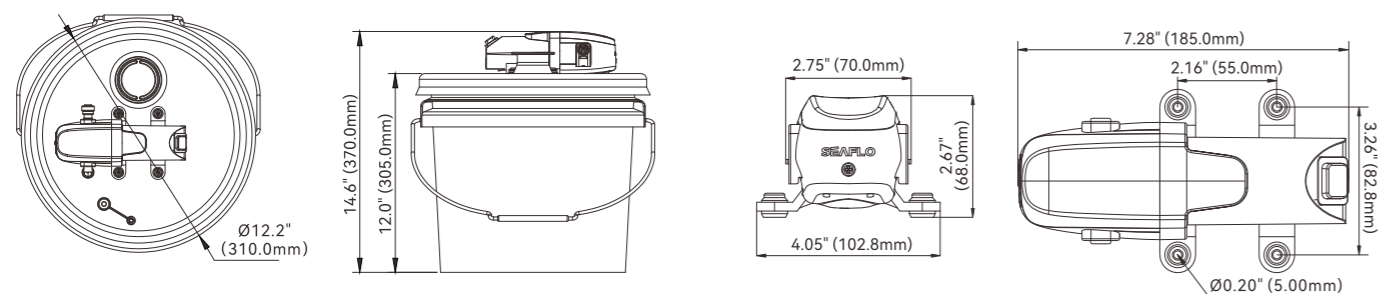


3 Attach the power cord clips to the engine's battery.



4 Activate pump with switch on motor to drain crankcase.

#### INSTALLATION DIMENSION DRAWING



#### Standard Pump Configurations

Model Number	Voltage	Amp Draw	Fuse Size	Open Flow	Battery Leads	Suction Tube	Weight
SFOCS1-015-01	12V DC	2A	5A	1.5GPM/5.6LPM	6.6' / 2m	8' / 2.4m	3.7lbs / 1.69kg



**NEW**

### Oil Change System 02

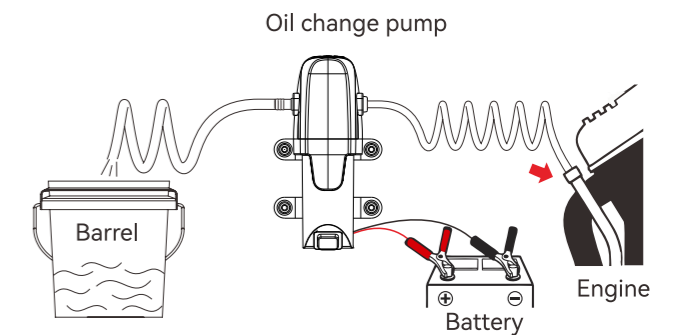
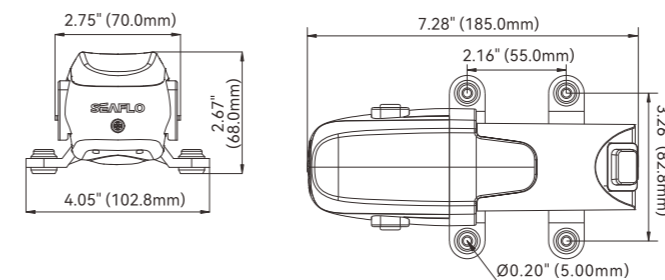
#### FEATURES & BENEFITS

- Self-contained oil change system
- Self-priming up to 5 feet (1.5m), run dry capable pump, thermal overload protection
- Battery clamp leads and on-off switch to make pumping process quick and simple
- 8 feet (2.4m), oil & heat resistant 1/4 inch suction tube
- 6.6 feet (2m) battery leads with alligator clips
- With 3 m of 10/14 mm (inner/outer diameter) transparent PU tube
- Very portable and easy to carry
- Perfect for changing engine oil in Boats, RV's, Lawn and Garden Equipment
- Easy to operate - four easy steps to fast, clean oil
- Perfect for changing engine oil in Boats, RV's, Lawn and Garden Equipment.



Optional Accessories

#### INSTALLATION DIMENSION DRAWING



#### Standard Pump Configurations

Model Number	Voltage	Amp Draw	Fuse Size	Open Flow	Dimension(L*W*H)
SFOCS1-015-02	12V DC	2A	5A	1.5GPM/5.6LPM	7.28" x 4.05" x 2.67" (185 x 103 x 68 mm)

OIL CHANGE SYSTEMS



Color Box

**Gear pumps**

**FEATURES & BENEFITS**

- Perfect for pumping oil
- Metal pump head
- Metal gears
- Sealed Motor Design
- Thermally Protected Motor
- Self-priming
- Stainless Steel Shaft

**TYPICAL APPLICATIONS**

- Extreme duty Transmission fluid transfer
- Lubricant and viscous liquid transfer
- Industrial use
- Oil change pump

**PUMP**

- Liquid Temperature**  
140°F(60°C) Max.
- Priming Capabilities**  
Not needed flooded suction
- Power**  
10 amps max current draw
- Max Pressure**  
Not needed
- Inlet/Outlet Ports**  
3/8" FNPT(9.52 mm) thread fitting
- Weight**  
5.46lbs(2.48 kg)

**MOTOR**

- Type**  
High quality seamless design that is thermally protected
- Leads**  
Wire leads
- Temperature Limits**  
140°F(60°C) Max.
- Duty Cycle**  
Intermittent
- Voltage**  
12 V/24V

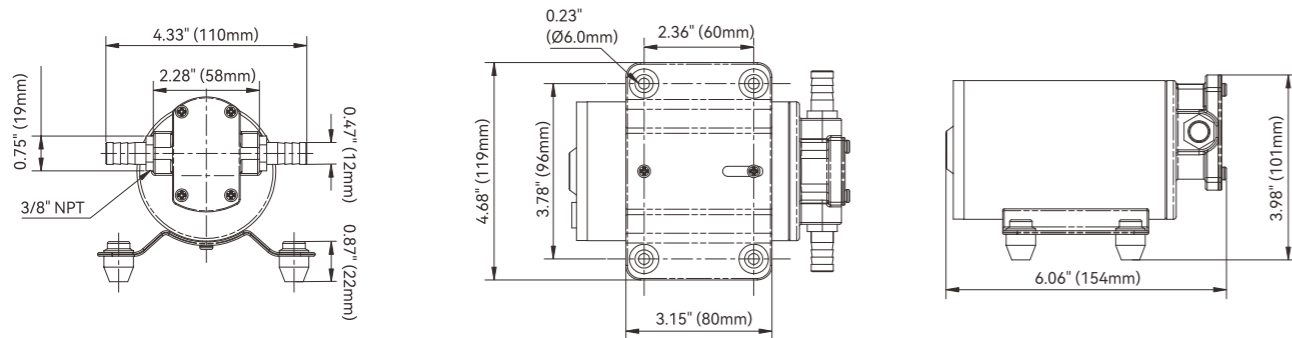


Gear

**Standard Accessories**



GPF001 GPF001  
3/8" MNPT x 1/2" Barb



**Standard Pump Configurations**

Model	Voltage	GPM/LPM	Impeller	Ports	Lead	Molded	Max Draw(A)
SFGP1-032-003-01	12V	3.2 / 12.0	copper	3/8" FNPT	Yes	N/A	10.0
SFGP2-032-003-01	24V	3.2 / 12.0	copper	3/8" FNPT	Yes	N/A	6.0

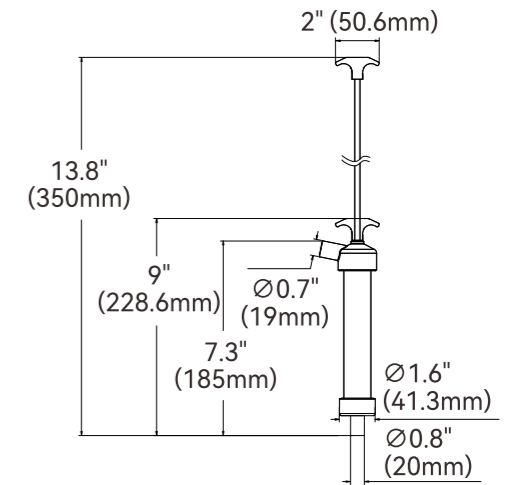
**Oil Change Hand Pump**



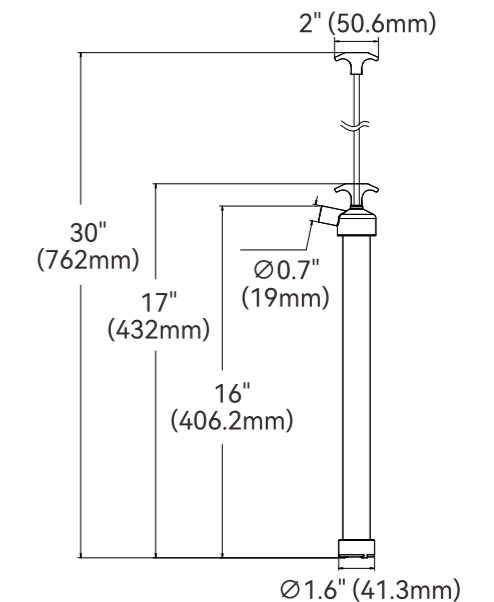
The Self-Priming Hand Pump that is made of brass for oil change purpose. It is quick and simple to remove and refresh vehicle's oil perfect for boats, off-road vehicle, RVs and Auto. It also great for changing oil on inboard and outboard boats motors and RV.

**FEATURES & BENEFITS**

- Portable design - lightweight
- Ease of use - versatile flexible outlet pipe
- Comes with 6mm,8mm or 12mm plastic tubes for your work convenience
- Designed to fit engine dipstick tube
- Ease of operation - simple handle plunger
- Available in two barrel lengths 229 mm (9") or 432 mm (17")



Model	Hose connections	Housing Material	Tube Material	Length of Pump	Extra Adapter Provided
SFPH-H350-03	6mm, 8mm and 12mm Hose connections	Brass	Plastic	9"	Yes



Model	Hose connections	Housing Material	Tube Material	Length of Pump	Extra Adapter Provided
SFPH-H765-03	9.5mm Hose connections	Brass	Plastic	17"	No

OIL CHANGE SYSTEMS

OIL CHANGE SYSTEMS



## Piston Hand Pumps

### FEATURES & BENEFITS

- Portable design - lightweight
- Ease of use - versatile flexible outlet pipe
- Ready to pump - 1.3"/34 mm hose no fittings or plumbing required
- Ease of operation - simple handle plunger
- Suitable for bilge water or diesel transfer
- Available in two barrel lengths 369 mm (14.5") or 629 mm (24.8")
- Lighter and smoother compare with old hand pump

### TYPICAL APPLICATIONS

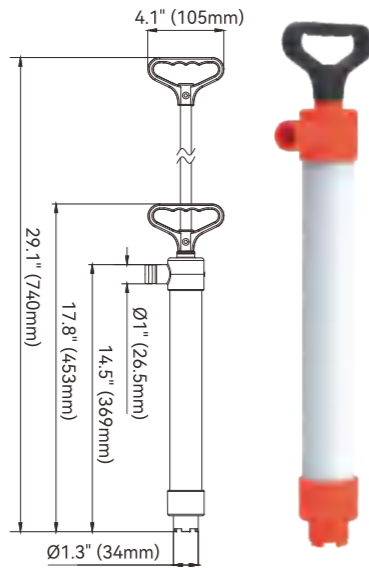
- Marine
- Kayaks & Canoes
- RV & Campers
- Industrial



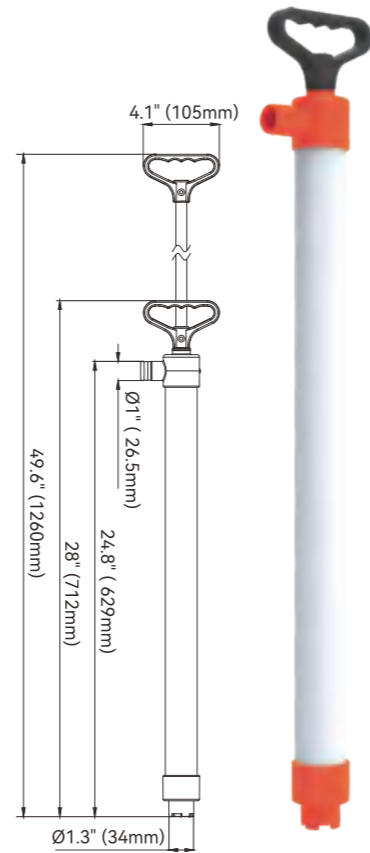
Standard Accessory



PE Bag



Short Barrel Version (740)



Long Barrel Version (1260)

### Standard Pump Configurations

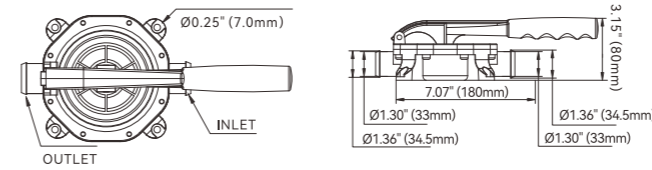
	Short Barrel Version		Long Barrel Version	
	SFPH-H740-01	SFPH-H740-02	SFPH-H1260-01	SFPH-H1260-02
Product Code	SFPH-H740-01	SFPH-H740-02	SFPH-H1260-01	SFPH-H1260-02
color	white	black	white	black
Hose Connections	1.3" (34 mm) Hose Connections		1.3" (34mm) Hose Connections	
Weight	0.93 lbs (0.42 kg)		1.14 lbs (0.52 kg)	
Materials	Pump body: PVC, Valve: EPDM		Pump body: PVC, Valve: EPDM	
Materials In Contact with Fluid	PVC, EPDM		PVC, EPDM	
Suction Lift	3' (1 m)		3' (1 m)	
Discharge Head	1.5' (0.5 m)		1.5' (0.5 m)	
45 Strokes per Minute	15.8 ltrs (4.2 US gals)		27 ltrs (7.1 US gals)	
70 Strokes per Minute	24.5 ltrs (6.5 US gals)		42 ltrs (11.1 US gals)	

## Diaphragm Hand Pumps

### FEATURES & BENEFITS

- Proven design - tough yet lightweight polypropylene materials
- Versatility of installation
- Simple plumbing- 1-1/4" (34 mm) smooth hose connection options
- Ease of operation - molded grip handle

- Easy maintenance - easy remove diaphragm
- Secure fit - robust molded base
- Compact design - ideal for confined spaces
- Reliable performance - U-shaped outlet valve
- Efficient performance - up to 5.3 Gallons Per Minute



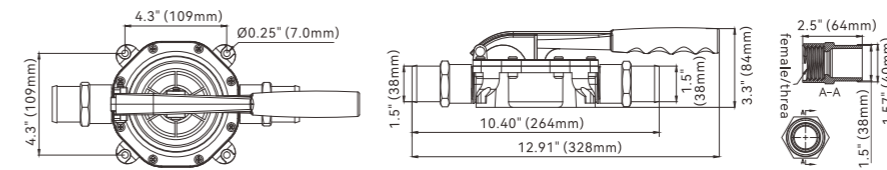
### Plastic hand pump (SFDHP-G720-01 without fittings)

Product Code	SFDHP-G720-01
Hose Connections	1.36" (34.5 mm) Hose Connections
Weight	0.99 lbs (0.45 kg)
Materials	Pump Body: Glass-filled Polypropylene, Diaphragm: EPDM, Fasteners: Stainless Steel
Materials On Contact with Fluid	Glass-filled Polypropylene, EPDM, Stainless Steel



Color Box

Kraft Box

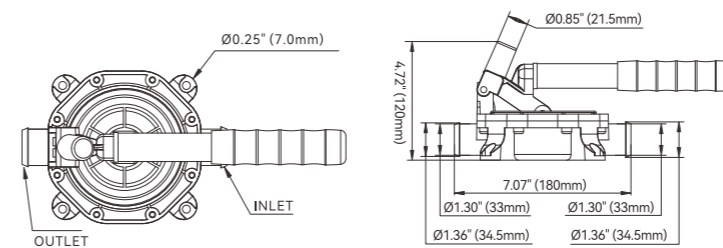


### Plastic hand pump (SFDHP-G720-02 with HPF01 fittings)

Product Code	SFDHP-G720-02
Hose Connections	1.5" (38.1 mm) Hose Connections
Weight	1.19 lbs (0.54 kg)
Materials	Pump Body: Glass-filled Polypropylene, Diaphragm: EPDM, Fasteners: Stainless Steel
Materials On Contact with Fluid	Glass-filled Polypropylene, EPDM, Stainless Steel



HPF01 Material: PP



### Aluminum hand pump

Product Code	SFDHA-G720-01
Hose Connections	1.36" (34.5 mm) Hose Connections
Weight	1.25 lbs (0.57 kg)
Materials	Pump Body: Glass-filled Polypropylene, Diaphragm: EPDM, Fasteners: Stainless Steel
Materials On Contact with Fluid	Glass-filled Polypropylene, EPDM, Stainless Steel



Color Box

Kraft Box

PORTABLE DESK FAN

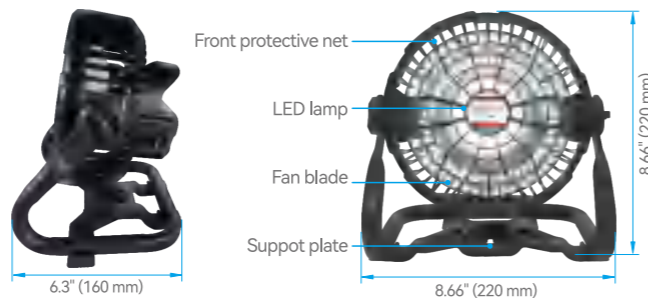
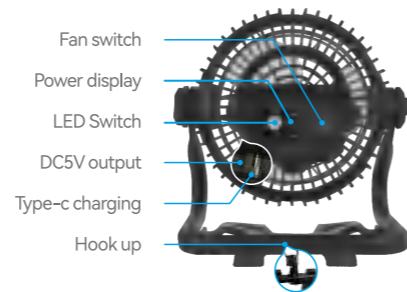


**Portable Desk Fan**

This 2-in-1 rechargeable fan, with its unique and powerful design, is a superior choice for mobile use. It is equipped with a high-efficiency brush motor and lightweight PC fan blades for strong wind power. The shell is made of environmentally friendly PP material, which is pressure-resistant and drop-proof, and easy to carry. With stepless speed control design, the wind speed can be adjusted as you wish to meet various needs. Add three LED lights, lighting wind both, practicality. Built-in high-capacity 18650 battery, long-lasting, is the ideal companion for outdoor activities.

**FEATURES & BENEFITS**

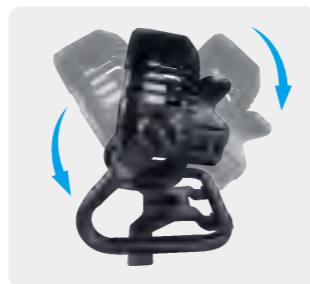
- The product adopts brush motor, lightweight PC blade and super strong wind force
- The shell adopts modified environmental PP, strong pressure resistance, fall resistance, suitable for mobile use
- The product has strong functions, the wind speed adopts stepless speed regulation, arbitrary switch, at the same time there are three LED lights, lighting with the use
- Built-in standard large capacity 18650 battery



LED night light  
3 setting to meet your needs



Can be hung for use



360° rotation to rotate into any angle



Built-in 18650mAh rechargeable battery can be used as power bank

Model	Input Voltage	Input Current	Output Power	Battery Model	Led Power	Service Time
SFDF-01	5V-2A	200mah-2000mah	1W-6W	18650	1W-3W	high speed 6 hours, low speed 12hours

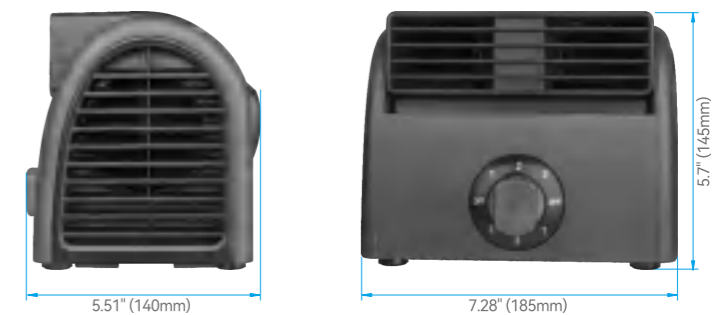


**Turbo Desk Fan**

This bladeless turbo desktop fan combines safety, comfort and energy saving with an innovative bladeless design that eliminates safety hazards while delivering an unrivaled silent experience. Soft and powerful three wind speeds can be adjusted to meet different needs, and the 45° angle air outlet supports manual adjustment, so that the wind direction can be adjusted as you wish. The motor is upgraded to work continuously without heating, energy saving and power saving. Simple body design, portable and does not occupy space.

**FEATURES & BENEFITS**

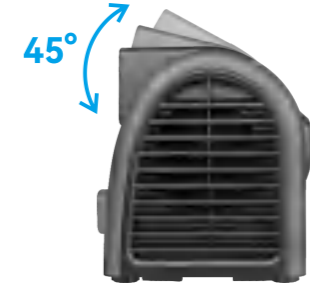
- Soft three-speed control airflow
- Bladeless and silent design saves energy and electricity
- Manually adjustable 45° angle airflow
- Motor upgraded to work continuously without heating



Soft three-speed control airflow



Bladeless and silent design



Manually adjustable 45° angle airflow

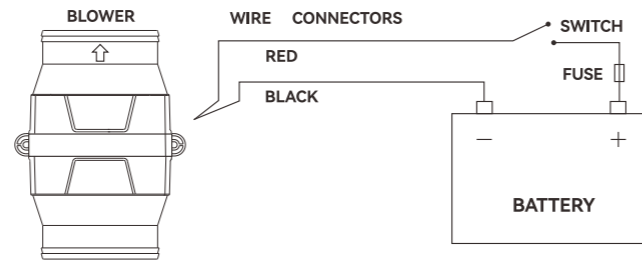


Model	Rated Voltage	Power Consumption
SFDF-02	AC110V/60Hz	35W

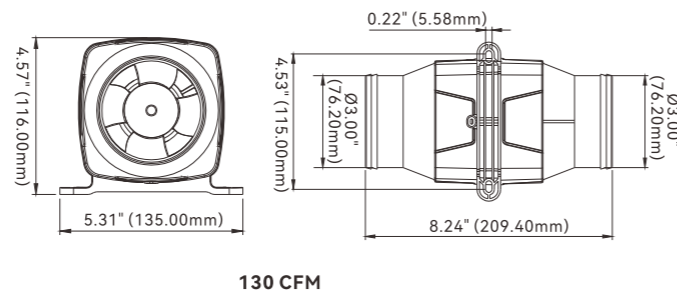
## In-line Blowers 01 / 02 Series

### FEATURES & BENEFITS

- Meets or exceeds ISO 8846 certification
- Built-in mounting feet allows easy vertical or horizontal installation
- Very low current draw, high volume air flow, long life
- Four/Six-blade fan maximizes airflow and efficiency
- Sealed motor shaft for moisture protection
- Corrosion resistant ABS plastic housing



01 Series



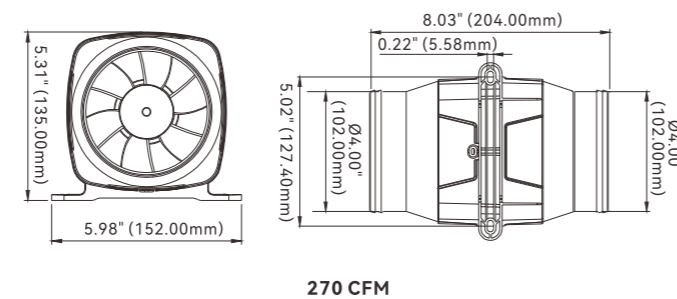
130 CFM

### Technical Date

Model	Volts(V)	Air Flow (cfm/cmh)	Amp Draw(A)	Fuse (A)	Intake Pipe Dia	Packing Size	N.W./G.W. (kg)
SFIB1-130-01	12V	130/220	2.5A	5.0A	3" / 76 mm	8.46" x 5.39" x 4.72"	0.45/0.60 kg
SFIB2-130-01	24V	130/220	1.3A	3.0A	3" / 76 mm	8.46" x 5.39" x 4.72"	0.45/0.60 kg



02 Series



270 CFM

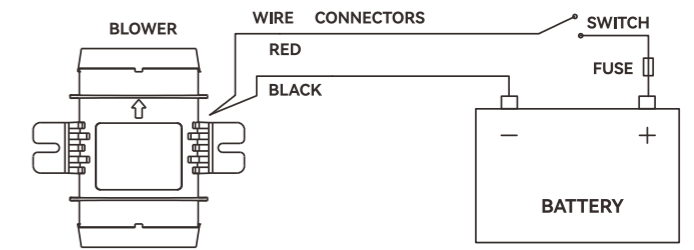
### Technical Date

Model	Volts(V)	Air Flow (cfm/cmh)	Amp Draw(A)	Fuse (A)	Intake Pipe Dia	Packing Size	N.W./G.W. (kg)
SFIB1-270-02	12V	270/456	6.0A	10.0A	4" / 102 mm	8.14" x 6.06" x 4.48"	0.70/0.90 kg
SFIB2-270-02	24V	270/456	3.0A	5.0A	4" / 102 mm	8.14" x 6.06" x 4.48"	0.70/0.90 kg

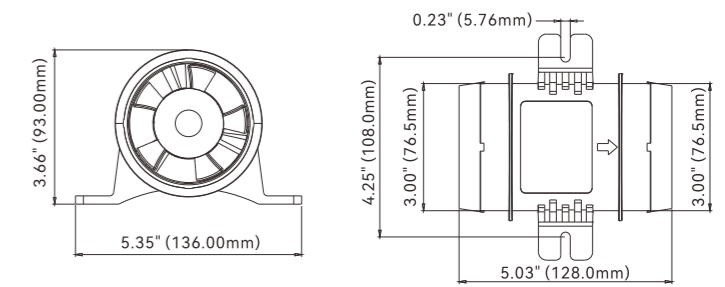
## In-line Blowers 03 / 04 Series

### FEATURES & BENEFITS

- Meets or exceeds ISO 8846 certification
- Built-in mounting feet allows easy vertical or horizontal installation
- Very low current draw, high volume air flow, long life
- Five blade fan maximizes airflow and efficiency
- Sealed motor shaft for moisture protection
- Corrosion resistant ABS plastic housing
- Smaller size for any limited area



03 Series



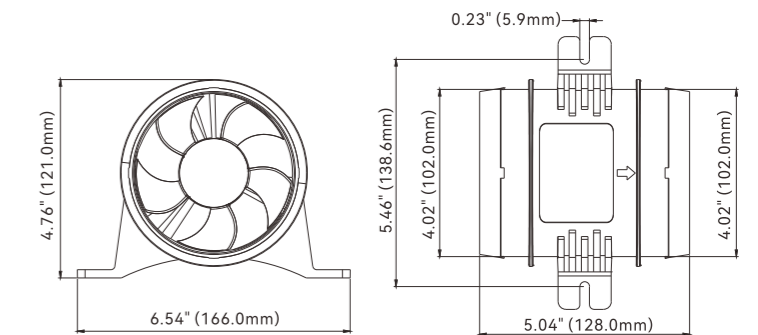
145 CFM

### Technical Date

Model	Volts	Air Flow (cfm/cmh)	Amp Draw(A)	Fuse (A)	Intake Pipe Dia	Packing Size	N.W./G.W. (kg)
SFIB1-145-03	12 V	145/247	3.0	5.0	3" / 76 mm	5.51" x 5.23" x 3.74"	0.34/0.41 kg
SFIB2-145-03	24 V	145/247	1.5	2.5	3" / 76 mm	5.51" x 5.23" x 3.74"	0.34/0.41 kg



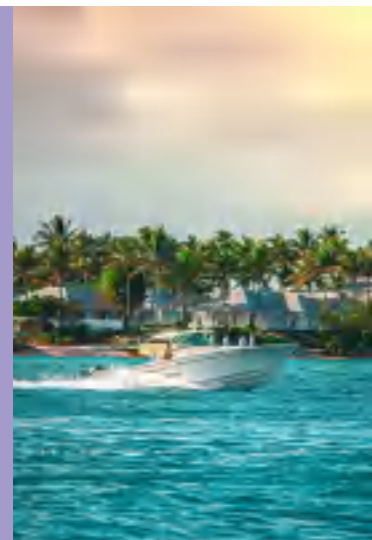
04 Series



235 CFM

### Technical Date

Model	Volts	Air Flow (cfm/cmh)	Amp Draw(A)	Fuse (A)	Intake Pipe Dia	Packing Size	N.W./G.W. (kg)
SFIB1-235-04	12 V	235/400	4.0	7.0	4" / 102 mm	6.69" x 5.23" x 4.84"	0.40/0.49 kg
SFIB2-235-04	24 V	235/400	2.0	4.0	4" / 102 mm	6.69" x 5.23" x 4.84"	0.40/0.49 kg



Color Box

**Bilge Blowers 01 Series**

**FEATURES & BENEFITS**

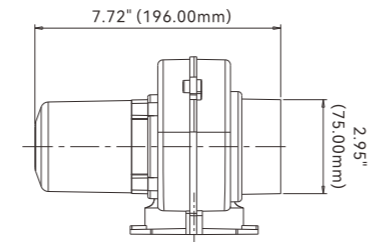
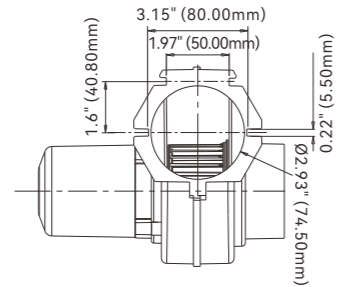
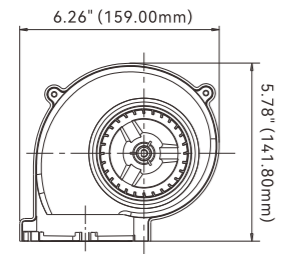
- Dual Mounting Options
- Efficient high volume air flow
- Very low current draw, long life
- Flex Mount or Flange Mount

- Sealed motor shaft for moisture protection
- Corrosion resistant ABS plastic housing
- Ignition protected
- CE conforms with EN 50014-1, EN N 61000-3-3

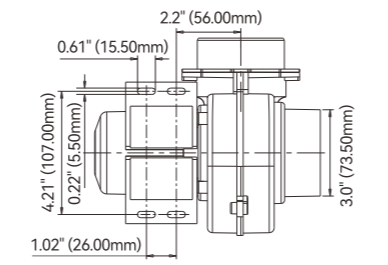
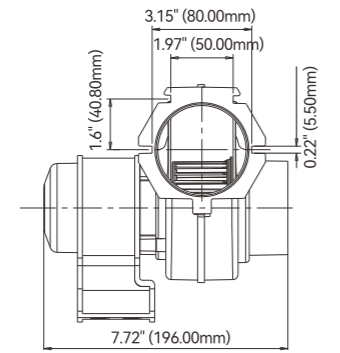
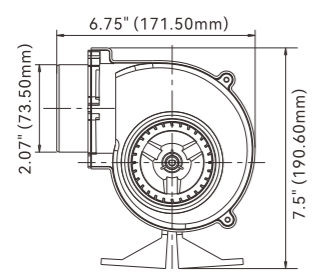
**TYPICAL APPLICATIONS**

- Boats bilge ventilation
- Engine compartments
- Galleys and heads

**Flange Mount**



**Flex Mount**



**Technical Date**

Model	Volts	Air Flow (cfm/cmh)	Amp Draw(A)	Fuse (A)	Packing Size	N.W./G.W. (kg)
SFBB1-130-01	12 V	130/220	2.5	5	6.29" x 6.29" x 7.87"	0.71/0.83 kg
SFBB2-130-01	24 V	130/220	1.5	3	6.29" x 6.29" x 7.87"	0.71/0.83 kg

**Bilge Blowers 02 / 03 Series**

**FEATURES & BENEFITS**

- Efficient high volume air flow
- Very low current draw, long life
- Available in either Flex Mount or Flange Mount
- Sealed motor shaft for moisture protection
- Corrosion resistant ABS plastic housing
- Ignition protected
- CE conforms with EN 50014-1, EN N 61000-3-3

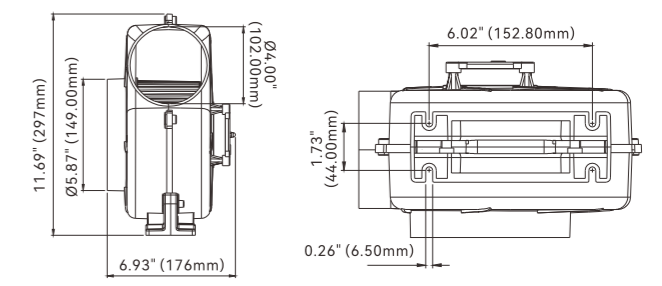
**TYPICAL APPLICATIONS**

- Boats bilge ventilation
- Engine compartments
- Galleys and heads
- Bus ventilation (engine and bathroom fumes)



Color Box

02 Series



**Flex Mount-02**

The flex mount is when the motor mounting bracket is used to secure to blower, hose would have to be connected to both the inlet and outlet.

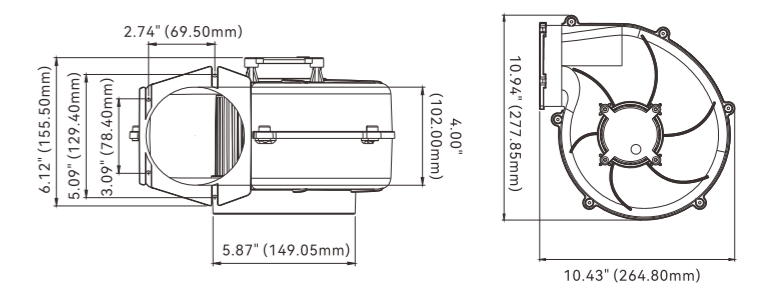
**Technical Date**

Model	Volts	Air Flow (cfm/cmh)	Amp Draw(A)	Fuse (A)	Packing Size	N.W./G.W. (kg)
SFBB1-320-02	12 V	320/550	11.0	16.0	11.81" x 10.62" x 11.02"	2.27/2.45 kg
SFBB2-320-02	24 V	320/550	6.0	10.0	11.81" x 10.62" x 11.02"	2.27/2.45 kg



Color Box

03 Series



**Flange Mount-03**

The flange mount is when the blower is mounted using the outlet mounting flange to secure the pump.

**Technical Date**

Model	Volts	Air Flow (cfm/cmh)	Amp Draw(A)	Fuse (A)	Packing Size	N.W./G.W. (kg)
SFBB1-320-03	12 V	320/550	11.0	16.0	11.81" x 10.62" x 11.02"	2.46/2.56 kg
SFBB2-320-03	24 V	320/550	6.0	10.0	11.81" x 10.62" x 11.02"	2.46/2.56 kg

SOLAR POWER VENTILATOR



**Solar Power Ventilator**

**FEATURES & BENEFITS**

- Waterproof design
- Easy installation
- High quality battery can run the vent up to 30 hours with no sunlight
- Two types of blade(Intake & Exhaust) are provided with each vent
- Ventilator with rechargeable battery and switch
- Powered by solar and work at both day and night
- For marine, boats, yachts, trailer caravan solar vent



Low Carbon, Environmentally Friendly Solar Power Storage, 24 hours Availability



Model	Power	Air flow	Ventilator Cutout Diameter	Battery	Switch	Material
SFSPV-04	1.2W	900 cubic ft/h	4-3/4" (120mm)	YES	YES	ABS

SOLAR POWER VENTILATOR



Model	Power	Air flow	Ventilator Cutout Diameter	Battery	Switch	Material
SFSPV-01	1.2W	900 cubic ft/h	4-3/4" (120mm)	NO	NO	ABS



Model	Power	Air flow	Ventilator Cutout Diameter	Battery	Switch	Material
SFSPV-02	1.2W	900 cubic ft/h	4-3/4" (120mm)	NO	NO	Stainless Steel



Model	Power	Air flow	Ventilator Cutout Diameter	Battery	Switch	Material
SFSPV-03	1.2W	900 cubic ft/h	4-3/4" (120mm)	YES	YES	Stainless Steel

BATTERY SWITCHES

BATTERY SWITCHES



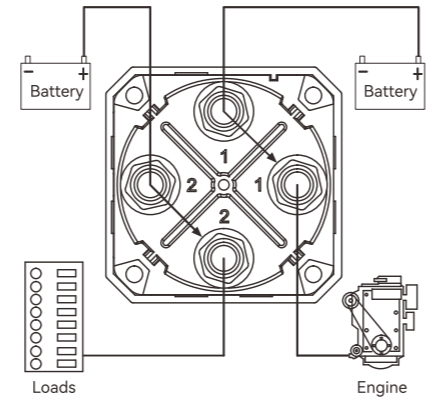
### Dual Circuit ON/OFF Battery Disconnect Switch

#### FEATURES

- Switches an isolated battery bank to all loads or combines battery banks to all loads
- The Combine function can be used to parallel the batteries in the event of a low engine battery. (only SFCBS-300-301)
- Tin-plated copper studs for maximum conductivity and corrosion resistance
- Studs accept 3/8" (M10) ring terminals
- One-piece terminal stud design never loosens over time
- Isolating cover with three snap-off side pieces protects rear contacts and allows wire access in any direction

#### Regulatory

- CE, RoHS, ISO 8846
- Meets all American Boat and Yacht Council (ABYC) requirements for battery switches
- Meets UL 1500 and SAE J1171 external ignition protection requirements
- IP66 – protected against powerful water jets



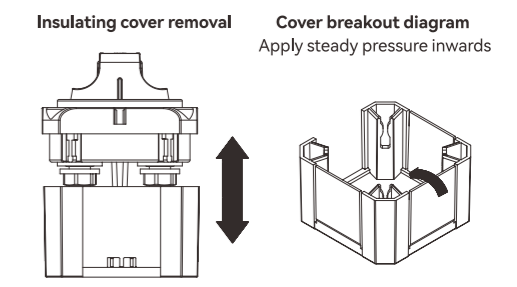
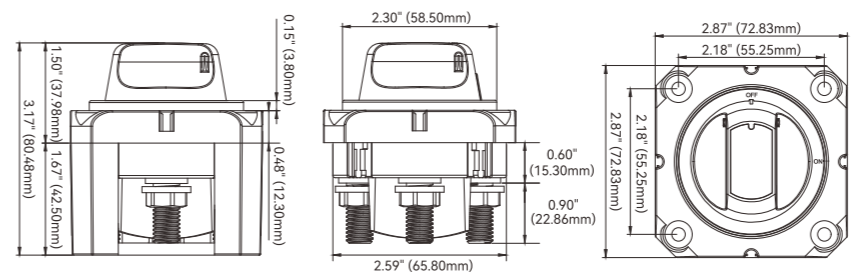
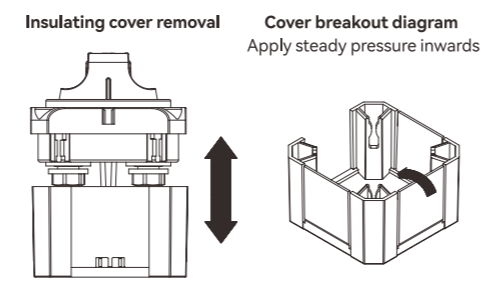
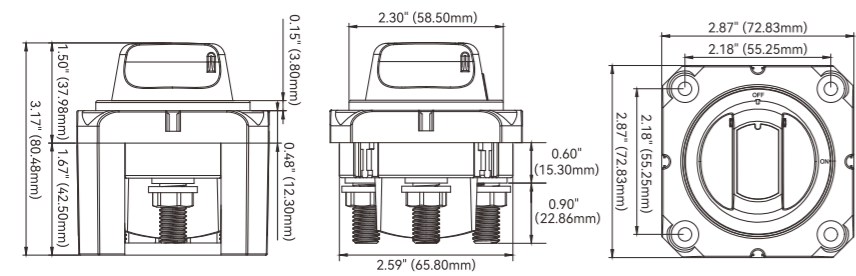
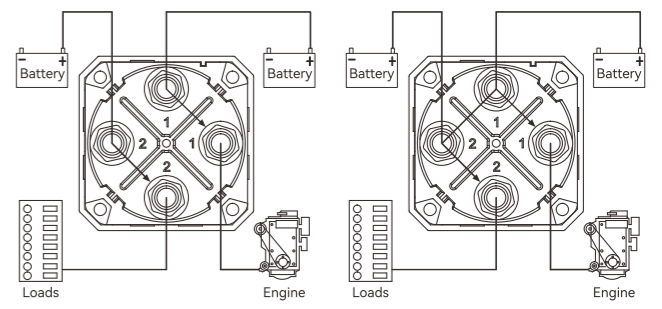
### Dual Circuit Plus ON/OFF Battery Disconnect Switch

#### FEATURES

- Switches an isolated battery bank to all loads or combines battery banks to all loads
- The Combine function can be used to parallel the batteries in the event of a low engine battery. (only SFCBS-300-301)
- Tin-plated copper studs for maximum conductivity and corrosion resistance
- Studs accept 3/8" (M10) ring terminals
- One-piece terminal stud design never loosens over time
- Isolating cover with three snap-off side pieces protects rear contacts and allows wire access in any direction

#### Regulatory

- CE, RoHS, ISO 8846
- Meets all American Boat and Yacht Council (ABYC) requirements for battery switches
- Meets UL 1500 and SAE J1171 external ignition protection requirements
- IP66 – protected against powerful water jets



#### Specifications

Model	SFCBS-300-203
Cranking Rating: 30 sec.	675A DC
Intermittent Rating: 5 min.	450A DC
Continuous Rating	300A
DC Terminal Stud, Tin-Plated Copper	3/8" -16 (M10)
Torque 120 in-lb (13.56 N·m) Cable Size to Meet Ratings*	4/0 AWG (120 mm <sup>2</sup> )
Maximum Voltage Rating	32 Volts DC

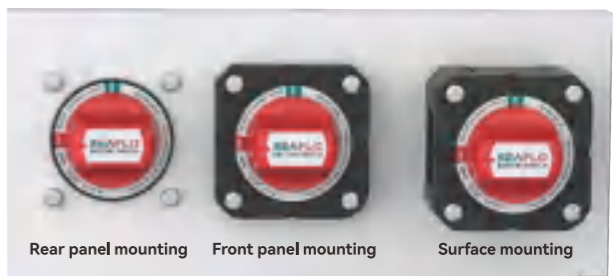
#### Switch Mounting Options



#### Specifications

Model	SFCBS-300-301
Cranking Rating: 30 sec.	675A DC
Intermittent Rating: 5 min.	450A DC
Continuous Rating	300A
DC Terminal Stud, Tin-Plated Copper	3/8" -16 (M10)
Torque 120 in-lb (13.56 N·m) Cable Size to Meet Ratings*	4/0 AWG (120 mm <sup>2</sup> )
Maximum Voltage Rating	32 Volts DC

#### Switch Mounting Options





SFCBS-300-202

Color Box



SFCBS-300-402

Color Box

## Single Circuit ON/OFF Battery Disconnect Switch

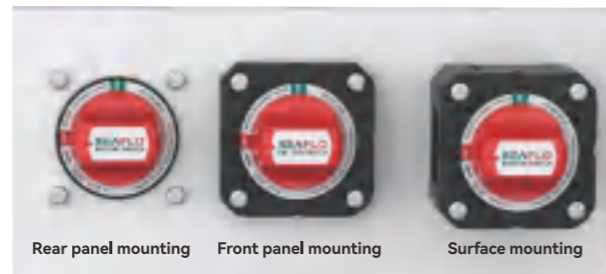
### FEATURES

- Switches a single battery to a single load group
- Tin-plated copper studs for maximum conductivity and corrosion resistance
- Studs accept 3/8" (M10) ring terminals
- One-piece terminal stud design never loosens over time
- Isolating cover with three snap-off side pieces protects rear contacts and allows wire access in any direction

### Regulatory

- CE, RoHS, ISO 8846
- Meets all American Boat and Yacht Council (ABYC) requirements for battery switches
- Meets UL 1500 and SAE J1171 external ignition protection requirements
- IP66 – protected against powerful water jets

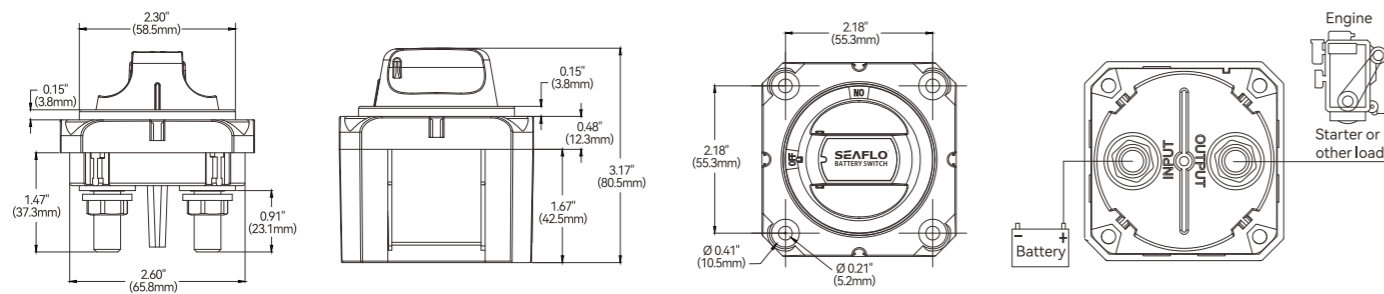
### Switch Mounting Options



Rear panel mounting

Front panel mounting

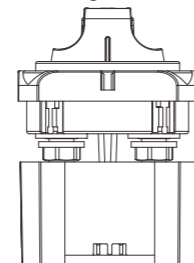
Surface mounting



### Specifications

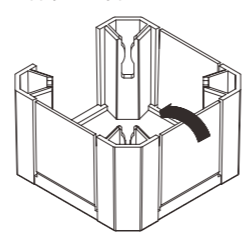
Model	SFCBS-300-202
Cranking Rating: 30 sec.	900A DC
Intermittent Rating: 5 min.	500A DC
Continuous Rating	300A
DC Terminal Stud, Tin-Plated Copper	3/8" -16 (M10)
Torque 120 in-lb (13.56 N·m) Cable Size to Meet Ratings*	4/0 AWG (120 mm <sup>2</sup> )
Maximum Voltage Rating	48 Volts DC

### Insulating cover removal



### Cover breakout diagram

Apply steady pressure inwards



Switch Mounting Options: Surface mounting, Front panel mounting and Rear panel mounting

## 4 Position Mini Selector Battery Switch

### FEATURES

- Switches an isolated battery bank to all loads or combines battery banks to all loads
- Tin-plated copper studs for maximum conductivity and corrosion resistance
- Studs accept 3/8" (M10) ring terminals
- One-piece terminal stud design never loosens over time
- Isolating cover with three snap-off side pieces protects rear contacts and allows wire access in any direction

### Regulatory

- CE, RoHS, ISO 8846
- Meets all American Boat and Yacht Council (ABYC) requirements for battery switches
- Meets UL 1500 and SAE J1171 external ignition protection requirements
- IP66 – protected against powerful water jets

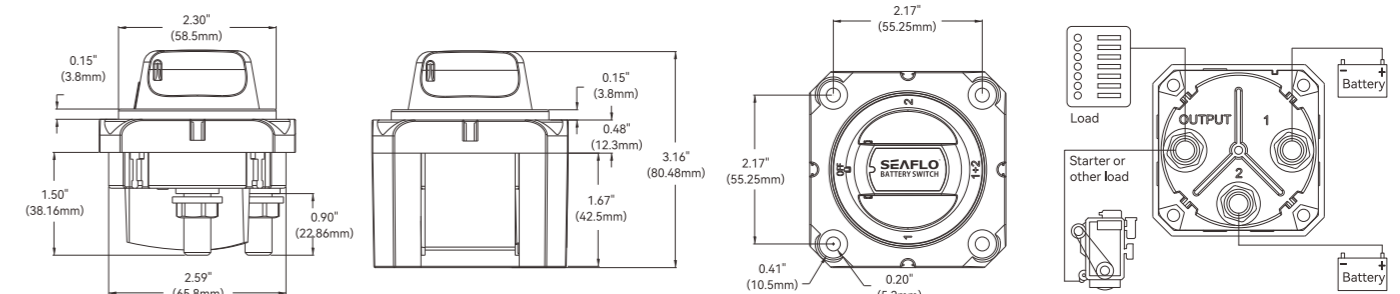
### Switch Mounting Options



Rear panel mounting

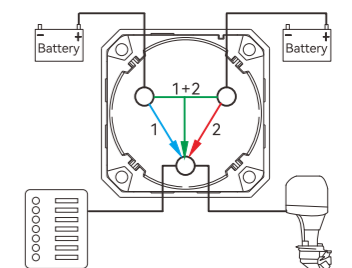
Front panel mounting

Surface mounting



### Specifications

Model	SFCBS-300-402
Cranking Rating: 30 sec.	900A DC
Intermittent Rating: 5 min.	500A DC
Continuous Rating	300A
DC Terminal Stud, Tin-Plated Copper	3/8" -16 (M10)
Torque 120 in-lb (13.56 N·m) Cable Size to Meet Ratings*	4/0 AWG (120 mm <sup>2</sup> )
Maximum Voltage Rating	32 Volts DC



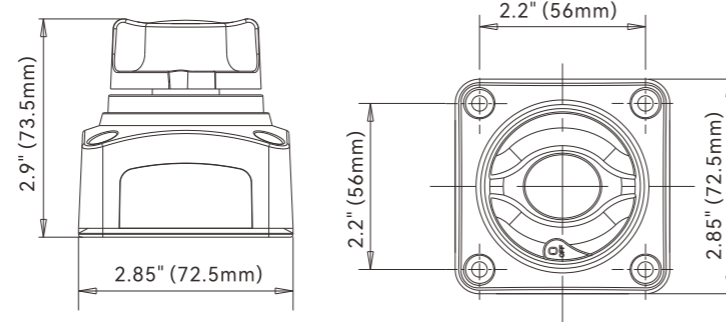
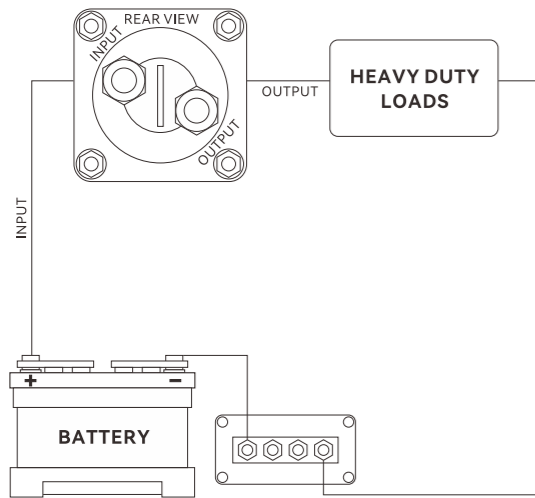
1 or 2 or 1+2

Switch Mounting Options Surface mounting Front panel mounting and Rear panel mounting

## Battery Isolator Switch

### FEATURES & BENEFITS

An interchangeable labeling system allowing a full range of applications.  
Removable side plates on 4 sides for access of up to 1/0 cables plus a rear cover insulating the rear terminals against any short circuits.  
ABS Anti-aging, Anti-ultraviolet.  
May be connected to either the positive or the negative electric cable.



Model	Max.Volt	Amp Draw(A)	Max Amp Draw(A)	Switch Position	Packing Size	N.W./G.W.
SFCBS-275-201	50 V	275	1250	2	3.07" x 3.07" x 3.14" (78 x 78 x 80 mm)	0.20/0.30 kg

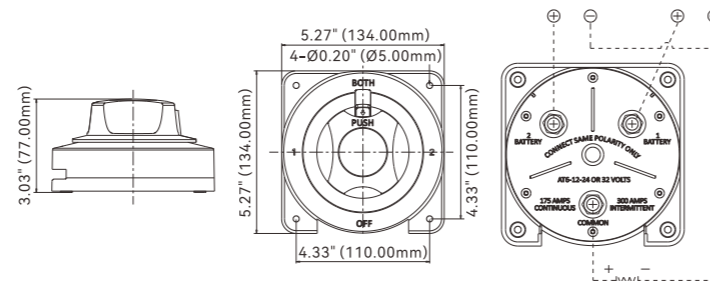
## Battery Selector Switch

### FEATURES & BENEFITS

The selector switch will allow the use of one battery for engine starting and one battery for auxiliary electrical equipment.  
Batteries may be placed in parallel by switching to (BOTH) for emergency usage  
Small in size, Fine appearance, Sturdy and durable  
3/8"-16 tin-plated copper studs for maximum conductivity and corrosion resistance Can be installed in any position  
175A continuous duty at DC-12V  
300A intermittent duty at DC-12V  
Suitable for 6V, 12V, 24V and 32V ship's supply system

### 4 POSITIONS

- OFF** - Complete disconnect of both batteries or banks of batteries
- 1** - Operation of No.1 battery only
- 2** - Operation of No.2 battery only
- BOTH** - Operation of both batteries and banks of batteries

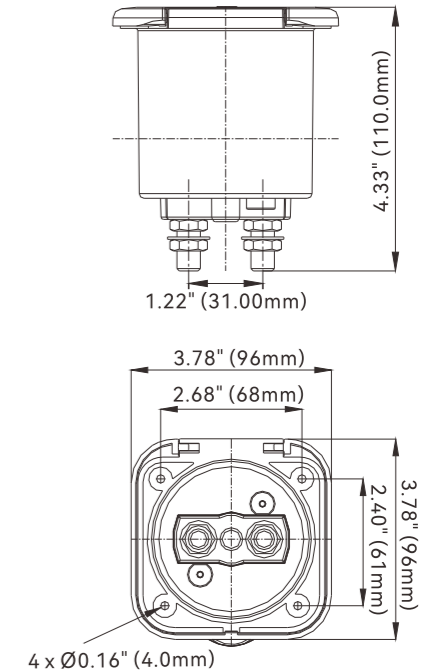


Model	Max.Volt	Amp Draw(A)	Max Amp Draw(A)	Switch Position	Packing Size	N.W./G.W.
SFCBS-175-402	6-12-24-32	175	300	3	5.51" x 5.51" x 3.34" (140 x 140 x 85 mm)	0.45/0.65 kg

## Battery Isolator Switch

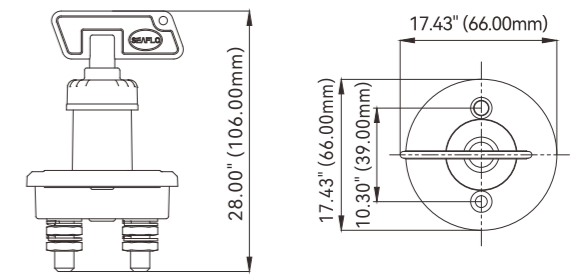
### FEATURES & BENEFITS

An interchangeable labeling system allowing a full range of applications.  
ABS Anti-aging, Anti-ultraviolet.  
May be connected to either the positive or the negative electric cable.  
In the "OFF" position the key may be removed. (SFIBS1-01 only)  
Small in size, Fine appearance, Sturdy and durable.



### Product Specifications

Model	Voltage	Amps Draw(A)	Max Amp Draw(A)	N.W.	Working Tempature°C	Package
SFIBS1-01	50 V	275	1250	0.29 kg	-40~80	Kraft Box



### Product Specifications

Model	Voltage	Amps Draw(A)	Max Amp Draw(A)	N.W.	Working Tempature°C	Package
SFIBS2-01	50 V	275	1250	0.15 kg	-40~80	PE Bag



**NEW**

## Premium Portable Travel Toilet

Your best choice for Marine, RV, Camping, Board Room, Medical Care, Pregnant women, Children and The Elderly.

### FEATURES & BENEFITS

- Powerful Tri-Directional Flush
- Fresh Water Tank with Piston-Flush
- Slick Anti-Stick Oversized Bowl
- Detachable Fully-Sealed Holding Tank
- Rotating Elbow For Clean & Distant Dumping
- Air Relief Button Eliminates Gurgles & Splash Back
- Sealed Design Prevents Leaks, Spills and Odors
- Removable Seat & Cover For Easy Cleaning
- Waste Tank Level Indicator
- Sleek, Lightweight & Durable Modern Design



**Level Indicator**  
Display the level of content in waste tank, avoid overflow protection.



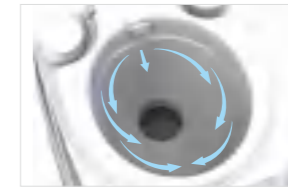
**270° Rotating Emptying Spout**  
M60mm rotating spout, for hygiene and better experience.



**Built-in Storage Bin**  
Can put toilet paper or detergent



**Air Release Button**  
Press the button to prevent spilling and splashing before use. Decompression valve exhausts to prevent sewage from spraying out.



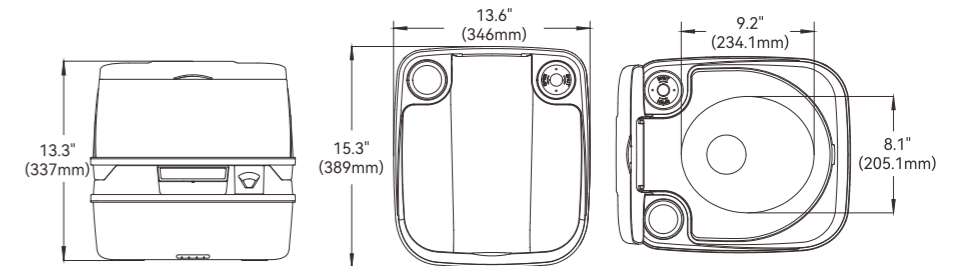
**Powerful Tri-Directional Flush Nozzle**  
360° vortex scouring. It uses as little as 50ml water to flush the whole bowl and waste tank can be cleaned thoroughly. Ergonomic toilet seat, longer, deeper and more comfortable.



**Upgraded Lock Buckle**  
Connect the two tanks firmly together



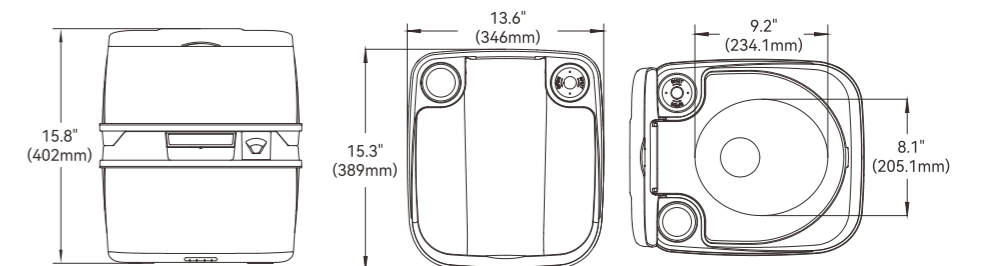
Color Box



Model	Fresh water tank	Waste holding tank	Dimension(L*W*H)	Color	Material	Package includes
SFPT-12-03	10 L (2.6 Gallon)	12 L (3.2 Gallon)	15.3" x 13.6" x 13.3" 389 x 346 x 337 mm	White	PP, POM, ABS	1 x Portable Toilet, 1 x Owners' Manual



Color Box



Model	Fresh water tank	Waste holding tank	Dimension(L*W*H)mm	Color	Material	Package includes
SFPT-18-03	10 L (2.6 Gallon)	18 L (4.8 Gallon)	15.3" x 13.6" x 15.8" 389 x 346 x 402 mm	White	PP, POM, ABS	1 x Portable Toilet, 1 x Owners' Manual



**Quiet Flush Marine Toilet SFMTE1-03-R**    **Deluxe Flush Electric Toilets SFMTE1-06**    **Economy Portable Toilet SFPT-20-02**    **Premium Portable Toilet SFPT-18-03**

## Portable Toilets and Marine Toilets

SEAFLO offers a complete line of portable toilets and marine toilets to fit most outdoor and marine applications. The SEAFLO portable toilet is intended for mobile use, such as camping, boating, caravans, cabins, medical, children, home, emergencies, etc. It has high quality construction and makes it strong and durable. Its lightweight design makes it easy to transport and be placed anywhere.

SEAFLO Marine toilets with both pump & bowl are interchangeable with JABSCO, in 12v and 24v models. Their rugged design provides performance that you can rely on for years.



Caravan    Yacht    Camping    Medical care    Children

### Portable Toilet

#### FEATURES & BENEFITS

- Impact & drop resistant, well-sealed
- Double-layer seal to isolate peculiar smell
- Compact design for easy storage and transportation
- Large, comfortable seat, simple to use, easy to maintain
- Split portable design, easy to carry
- Anti-slip and anti-drop design
- No external water or power connections required
- The surface of the material is smooth, easy to wash, safe and environmentally friendly

### Marine Toilet

#### FEATURES & BENEFITS

- Both pump & bowl are interchangeable with JABSCO.
- All spare parts can be ordered individually.
- Easy-to-clean china bowl.
- Includes heavy-duty push button and 1" or 1"-1/2" discharge hose adapter.
- Built-in Back Flow Preventer.
- All Corrosion Resistant Material for Marine Use.
- Electric toilets or manually operated toilets with regular bowl or compact size available.



Color Box

## Premium Portable Travel Toilet 22L

Your best choice for Marine, RV, Camping, Board Room, Medical Care, Pregnant Women, Children and the Elderly.

### FEATURES & BENEFITS

- Sleek, Lightweight and Durable Modern Design
- Fresh Water Tank With Powerful Piston-Flush
- 22L Large Capacity Sewage Tank
- High-Powered Tri-Directional Flush Nozzle
- Slick Anti-Stick Oversized Bowl Allows for Easy Flushing
- Ergonomic Toilet Seat, Longer, Wider, More Comfortable
- Detachable Fully-Sealed Holding Tank With Ergonomic Handle
- Rotating Dumping Elbow Allows for Clean and Distant Dumping
- Air Relief Valve Button - Eliminates Dumping Gurgle and Splash-Back
- Superior Sealed Design Prevents Leaks, Spills and Odors While Transporting
- Removable Seat and Seat Cover For Easy Cleaning
- Anti-slip Pads On The Bottom Bring A More Comfortable Experience



### NEW UPGRADE



**Ergonomic Toilet Seat**  
Longer, wider, more comfortable



**Built-in Storage Bin**  
Holds toilet paper or detergent for easy storage and use



**Powerful Tri-Directional Flush Nozzle**  
360° vortex scouring. It uses as little as 100ml water to flush the whole bowl and waste tank can be cleaned thoroughly

### 15L

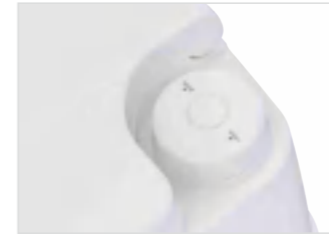
Fresh Water Tank can provide up to 150 rinses

### 22L

Waste holding tank No external devices are required



**Flushing Manual Pump**  
Easy to operate



**Water Inlet**  
Rotary switch cover, good sealing



**Air Relief Valve Button**  
Eliminates dumping gurgle and splash-back



**270° Rotating Emptying Spout**  
Rotating spout makes emptying easy and clean



**Level Indicator**  
Displays the water level in the waste tank



**Upgraded Lock Buckle**  
Connects the two tanks firmly together

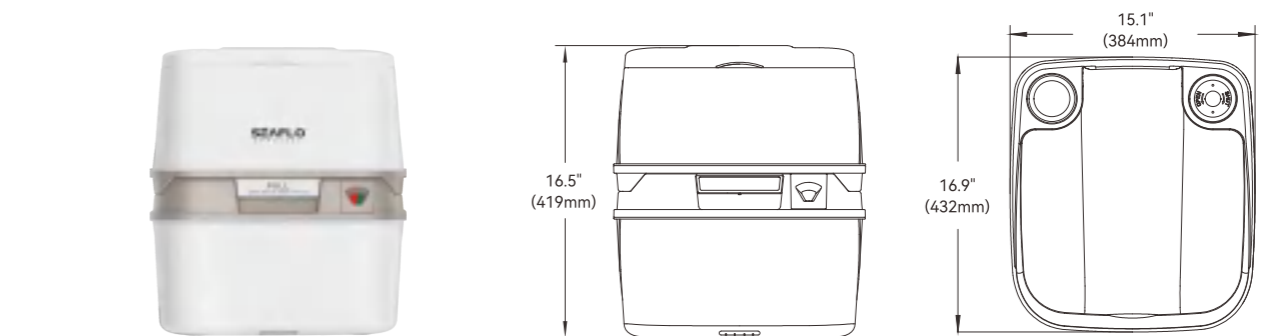
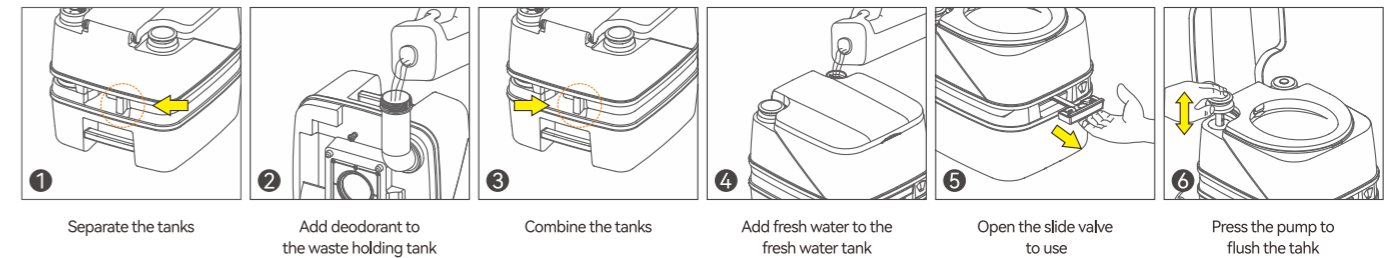


**Double Sealed Slide Valve Pull**  
Superior seals prevent leaks and odor



**Toilet Cover**  
Sturdy toilet lid and seat with increased strength and stability

### INSTRUCTIONS



Model	Fresh water tank	Waste holding tank	Dimension(L*W*H)	Color	Material	Package includes
SFPT-22-03	15 L (4 Gallon)	22 L (5.8 Gallon)	16.9" x 15.1" x 16.5" 432 x 384 x 419 mm	White	PP, PA, POM, ABS	1 x Portable Toilet, 1 x Owners' Manual



**NEW**

Color Box

### Multifunctional Portable Toilet 20L

Your best choice for Marine, RV, Camping, Board Room, Medical Care, Pregnant women, Children and The Elderly.

#### FEATURES & BENEFITS

- Impact & drop resistant, well-sealed
- Double-layer seal to isolate peculiar smell
- Compact design for easy storage and transportation
- Large, comfortable seat, simple to use, easy to maintain
- Split portable design, easy to carry
- Anti-slip and anti-drop design
- Blow molding process is integrated, durable and leak-proof
- Load-bearing connection lock
- The surface of the material is smooth, easy to wash, safe and environmentally friendly



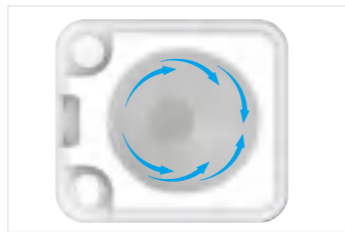
**Level Indicator**  
Display the level of content in waste tank, avoid overflow protection.



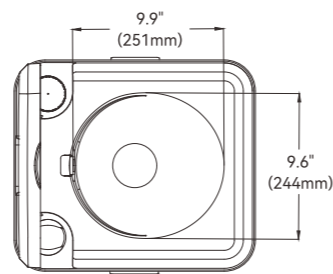
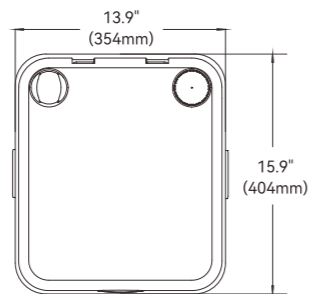
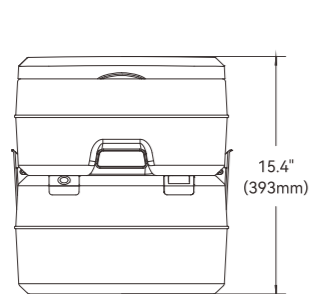
**180° Rotating emptying spout**  
M60mm rotating spout, for hygiene and better experience.



**Air Release Button**  
Press the button to prevent spilling and splashing before use. Decompression valve exhausts to prevent sewage from spraying out.



**T-type flush nozzle and bowl**  
360° vortex scouring. It uses as little as 50ml water to flush the whole bowl and waste tank can be cleaned thoroughly. Ergonomic toilet seat, longer, deeper and more comfortable.



Model	Fresh water tank	Waste holding tank	Dimension(L*W*H)	Color	Material	Package includes
SFPT-20-02	13 L (3.43 Gallon)	20 L (5.28 Gallon)	15.9" x 13.9" x 15.4" 404 x 354 x 393 mm	Grey	PP, PA, HDPE, ABS	1 x Portable Toilet, 1 x Owners' Manual

### Portable Toilet

Your Best Choice For Marine, Rv, camping  
Board Room, Medical Care, Children

#### FEATURES & BENEFITS

- Light weight and durable
- Brand new and high quality
- Compact design for easy storage and transportation
- Large, comfortable seat, simple to use, easy to maintain
- No external water or power connections required
- Easy to carry, easy to clean



Cover Of Waste Holding Tank



Split Portable Design



Hand Pump



Handle Of Waste Water Valve



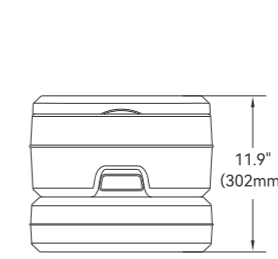
Waste Water Valve



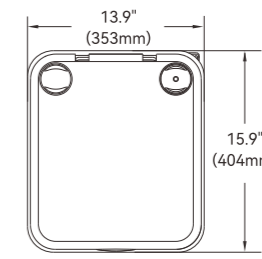
Sewage Drain Outlet



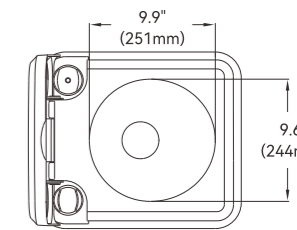
Color Box



10 Liters



Up

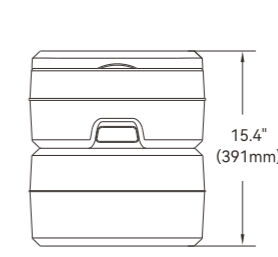


Bottom

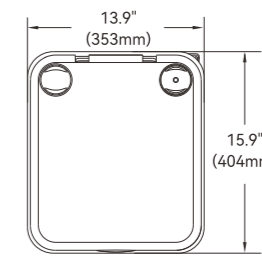
Model	Fresh water tank	Waste holding tank	Dimension(L*W*H)	Color	Material	Package includes
SFPT-10-01	13 L (3.43 Gallon)	10 L (2.64 Gallon)	15.9" x 13.9" x 11.9" 404 x 353 x 302 mm	Grey	PP, PA, HDPE, ABS	1 x Portable Toilet, 1 x Owners' Manual



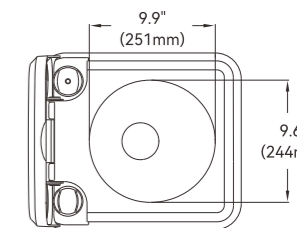
Color Box



20 Liters



Up



Bottom

Model	Fresh water tank	Waste holding tank	Dimension(L*W*H)	Color	Material	Package includes
SFPT-20-01	13 L (3.43 Gallon)	20 L (5.28 Gallon)	15.9" x 13.9" x 15.4" 404 x 353 x 391 mm	Grey	PP, PA, HDPE, ABS	1 x Portable Toilet, 1 x Owners' Manual

## Deluxe Flush Electric Toilets

SEAFLO Deluxe Flush Electric Toilets feature low noise levels, so sleeping guests will not be disturbed when the toilet is used. There are options of either flushing with fresh water from the boat's own supply or with salt, river or lake water from outside the boat. All plumbing and wiring easily concealed.

### FEATURES & BENEFITS

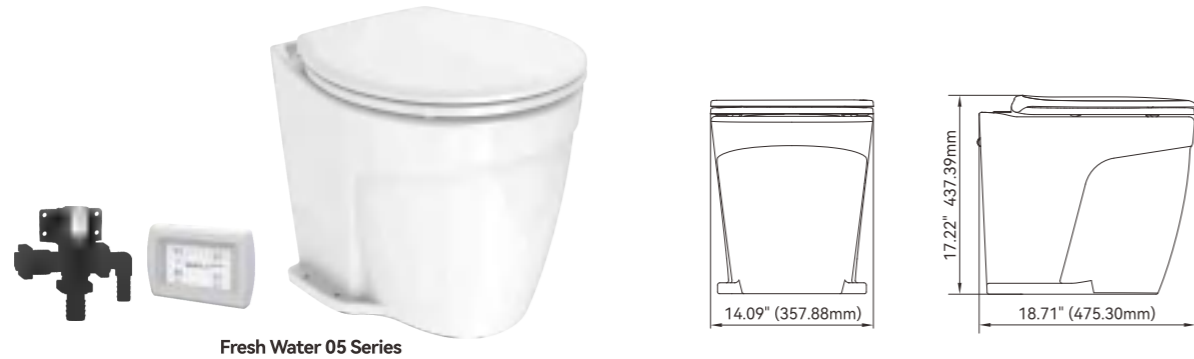
- Modern design, clean, sleek look and compliment with different styles
- Very quiet flush cycle - like a household toilet
- Low water consumption □ Unmatched rinsing capabilities
- Single button flush actuator - with dual function water level control switch
- Designed to be used with fresh and seawater.
- All plumbing and wiring easily concealed
- High capacity waste macerator and bowl discharge pump
- All spare parts can be ordered individually
- Ignition Protection



**NEW**



All plumbing and wiring easily concealed      High capacity bowl discharge pump makes toilet flushing quieter      Easy to clean ceramic bowl      Inlet 3/4" Hose Barb      Outlet 1 1/2" Hose Barb



Model	Voltage	Max Draw	Port	Material	Features	Box Dimension (L*W*H)
SFMTE1-05	12V	20A	Inlet 3/4" Hose Barb Outlet 1 1/2" Hose Barb	Ceramic bowl, soft close seat	Built in macerator	18.7" x 14.09" x 17.2" 475 x 358 x 437 mm
SFMTE2-05	24V	10A				



Model	Voltage	Max Draw	Port	Material	Features	Box Dimension (L*W*H)
SFMTE1-06	12V	20A	Inlet 3/4" Hose Barb Outlet 1 1/2" Hose Barb	Ceramic bowl, soft close seat	Built in macerator	18.7" x 14.09" x 17.2" 475 x 358 x 437 mm
SFMTE2-06	24V	10A				

## Deluxe Flush Electric Toilets-Smart Flushing

SEAFLO Deluxe Flush Electric Toilets feature low noise levels, so sleeping guests will not be disturbed when the toilet is used. There are options of either flushing with fresh water from the boat's own supply or with salt, river or lake water from outside the boat. Equipped with a smart toilet seat, rotate the knob to start rear cleaning or feminine cleaning mode. Smart toilet seats provide effective, hygienic bum care while saving you money and protecting the environment.

### FEATURES & BENEFITS

- Equipped with a smart toilet seat, rotate the knob to start rear cleaning or feminine cleaning mode.
- Very quiet flush cycle - like a household toilet
- Low water consumption, Unmatched rinsing capabilities
- Single button flush actuator - with dual function water level control switch
- Designed to be used with fresh and seawater.
- All plumbing and wiring easily concealed
- High capacity waste macerator and bowl discharge pump
- All spare parts can be ordered individually
- Ignition Protection



**NEW**



Rotary knob for easy control. Rotate the knob to start Rear cleaning or Feminine cleaning mode.      Extendable antibacterial rinse nozzle. Adjustable cleaning intensity for a more comfortable cleaning experience.      Smart Flushing Cover and Kit      Electric Flush Pump SFMTP1-05 (12V) / SFMTP2-05 (24V)



Model	Voltage	Max Draw	Port	Material	Features	Box Dimension (L*W*H)
SFMTE1-07	12V	20A	Inlet 3/4" Hose Barb Outlet 1 1/2" Hose Barb	Ceramic bowl, soft close seat	Built in macerator, smart flushing kit	18.7" x 14.09" x 17.2" 475 x 358 x 437 mm
SFMTE2-07	24V	10A				



Model	Voltage	Max Draw	Port	Material	Features	Box Dimension (L*W*H)
SFMTE1-08	12V	20A	Inlet 3/4" Hose Barb Outlet 1 1/2" Hose Barb	Ceramic bowl, soft close seat	Built in macerator, smart flushing kit	18.7" x 14.09" x 17.2" 475 x 358 x 437 mm
SFMTE2-08	24V	10A				

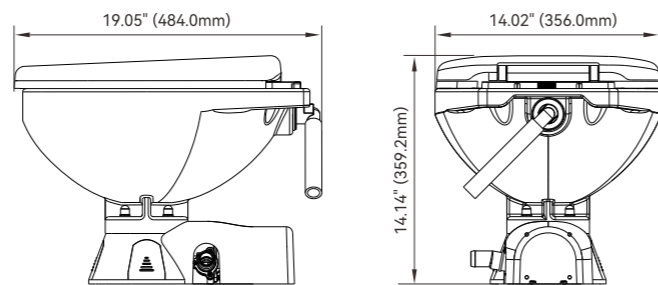
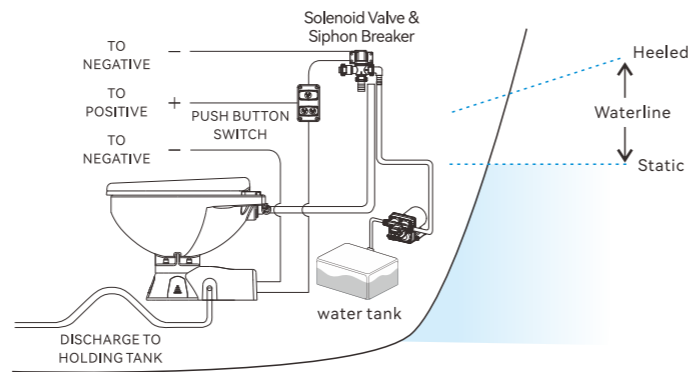


**Quiet Flush Electric Toilet - Fresh Water**

Designed to radically reduce noise levels, Quiet Flush Toilets make life onboard more comfortable for all crew members, even those sleeping! Can be connected to the vessel's existing pressurized water system for flushing with fresh water. Very quiet flush cycle, one-touch button to solve your sewage troubles.

**FEATURES & BENEFITS**

- Very quiet flush cycle - like a household toilet
- Single button flush actuator - with dual function water level control switch
- Can be plumbed to any pressurized water system that can provide a 3-1/2 GPM (13.5 LPM) flow rate
- Water control solenoid valve with anti-siphon breaker to prevent contamination of potable water supply
- White vitreous china bowl available in compact or comfortable household size
- Built in upgraded macerator pump makes flushing quieter
- All spare parts can be ordered individually
- All corrosion resistant material for marine use



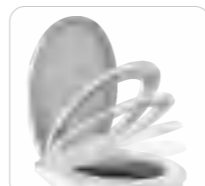
Regular



**Electric Flush Pump**  
SFMTP1-04 (12 V)  
SFMTP2-04 (24 V)



Bowl Can Be Rotated 90° For Mounting In Confined Spaces



Soft Close Seat Regular Only

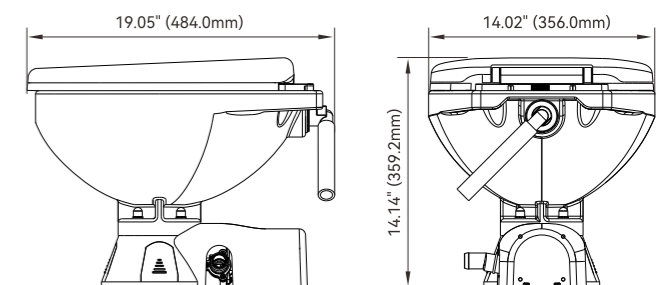
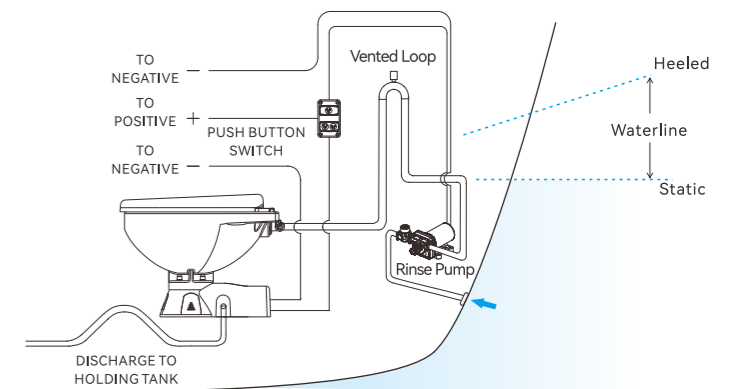
Model	Voltage	Max Draw	Port	Size	Material	Features	Dimension(L*W*H)
SFMTE1-03-R	12V	16V	Inlet 3/4" Hose Barb Outlet 1" Hose Barb	Regular	Ceramic bowl, soft close seat	Built in macerator	18.50" x 14.01" x 13.97" 470 x 356 x 355 mm
SFMTE2-03-R	24A	8A					

**Quiet Flush Electric Toilet - Sea Water**

Designed to radically reduce noise levels, Quiet Flush Toilets make life onboard more comfortable for all crew members, even those sleeping! Can be connected to the vessel's existing pressurized water system for flushing with fresh water. Very quiet flush cycle, available in regular and compact versions, water control solenoid valve with anti-siphon breaker to prevent contamination of the potable water supply. Equipped with a powerful sewage pump to break down waste and empty the toilet. With the one-button button on the switch panel, you can solve your sewage troubles.

**FEATURES & BENEFITS**

- Very quiet flush cycle - like a household toilet
- Single button flush actuator - with dual function water level control switch
- Supplied with SEAFLO seawater rinse pump to provide sea water or lake water to rinse the toilet bowl
- White vitreous china bowl available in compact or comfortable household size
- Built in upgraded macerator pump makes flushing quieter
- All spare parts can be ordered individually
- All corrosion resistant material for marine use



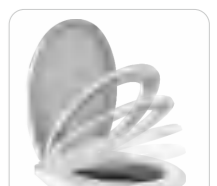
Regular



**Electric Flush Pump**  
SFMTP1-04 (12 V)  
SFMTP2-04 (24 V)



Bowl Can Be Rotated 90° For Mounting In Confined Spaces



Soft Close Seat Regular Only

Model	Voltage	Max Draw	Port	Size	Material	Features	Dimension(L*W*H)
SFMTE1-04-R	12V	16V	Inlet 3/4" Hose Barb Outlet 1" Hose Barb	Regular	Ceramic bowl, soft close seat	Built in macerator	18.50" x 14.01" x 13.97" 470 x 356 x 355 mm
SFMTE2-04-R	24A	8A					



Color Box



### Electric Conversion Marine Toilet

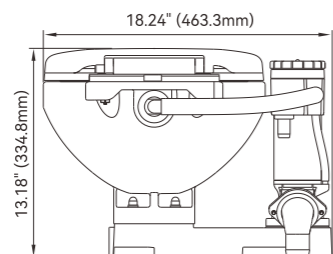
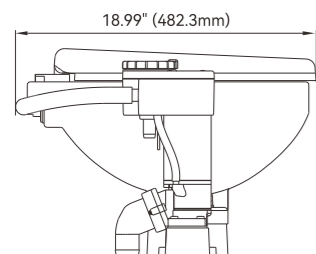
The Electric flush pump provides the convenience of an electric head without having to modify the platform or replace the head. The self-priming pump rinses the bowl while the waste pump macerates and evacuates the waste. Add the luxury of an electric head without the costly replacement and hassle by converting your existing toilet with an electric flush kit.

#### FEATURES & BENEFITS

- Converts manual head to electric operation.
- Simple to operate.
- Suitable for use in above or below waterline installations.
- Built-in macerator with stainless steel chopper plate.
- Left and right-handed installations.
- Wood seat with baked enamel finish for compact type only.
- Soft close seat for regular type only.



Electric Flush Pump  
SFMT1-02 (12 V) / SFMT2-02 (24 V)



Regular

Model	Color	Features	Max Draw	Diameter	Size	Type	Material
SFMTE1-02-R	White	Built In Macerator	24 A	3/4" Inlet 1 1/2" Discharge	Regular	12 Volt Electric Impeller	Ceramic bowl, Soft close seat
SFMTE2-02-R	White	Built In Macerator	13 A	3/4" Inlet 1 1/2" Discharge	Regular	24 Volt Electric Impeller	Ceramic bowl, Soft close seat

### Manually Operated Marine Toilet

SEAFLO Manually Operated Marine Toilet can be installed in both power and sailing craft, either above or below the waterline, for use on sea, river, lake or canal. Your installation may discharge the waste either overboard (provided that your national and local regulations allow this), or into a treatment system or into an on-board holding tank (U.S.C.G. Marine Sanitation Devices Type I, II and III).

#### FEATURES & BENEFITS

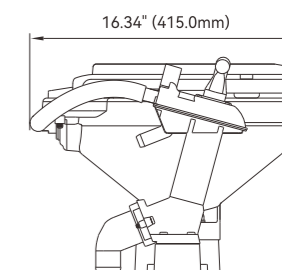
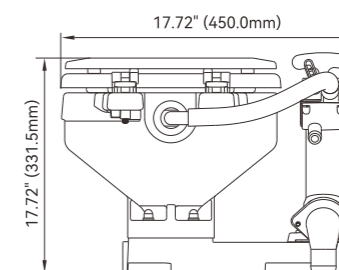
- Baked enamel seat & cover in compact or regular size.
- Twist "n" Lock handle eliminates leaks.
- Can be reassembled with the pump on the right or left side.
- Powerful self-priming pump for above or below waterline installation.
- Crevice free contours and smooth mouldings for added hygiene.
- Automatic vacuum breaker for easier pumping.
- Angled pump housing and long stroke for ease of installation.
- Wood seat with baked enamel finish for compact type only.
- Soft close seat for regular type only.



Hand Flush Pump  
SFMTP-03



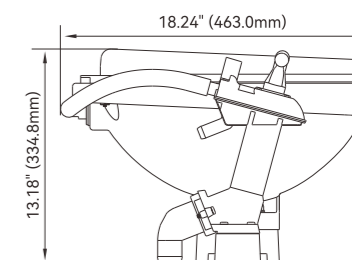
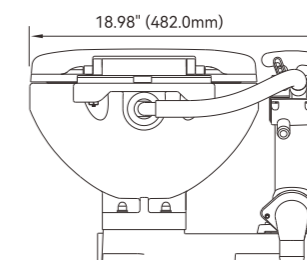
Color Box



Model	Color	Diameter	Size	Type	Material
SFMTM-01	White	3/4" Inlet 1 1/2" Discharge	Compact	Manual Piston	Ceramic bowl, wood seat with baked enamel finish



Color Box



Model	Color	Diameter	Size	Type	Material
SFMTM-01-R	White	3/4" Inlet 1 1/2" Discharge	Regular	Manual Piston	Ceramic bowl, Soft close seat



Color Box

### Electric Marine Toilet

A dual-function pump eliminates the need for hand pumps and dry-bowl valves. With the push of a button, the self-priming flush pump rinses the bowl as the Macerator and high-capacity scavenger pump grind up waste and pump it out. Includes a heavy-duty push button and 1" discharge hose adapter. Easy-to-clean ceramic bowl.

#### FEATURES & BENEFITS

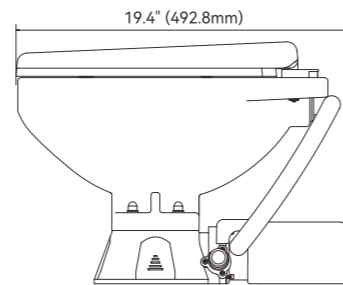
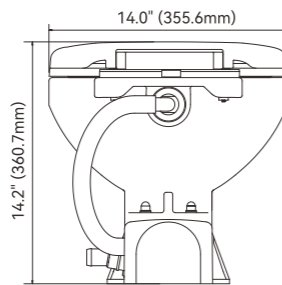
- Convenient push-button flush.
- Easy-to-clean ceramic bowl.
- Flexible impeller flush pump.
- Permanent magnet type motor, fully enclosed, with stainless steel shaft.
- Built-in back flow preventer.
- All corrosion resistant material for marine use.
- Wood seat with baked enamel finish for compact type only.
- Soft close seat for regular type only.



Electric Flush Pump  
SFMTMP1-01 (12 V) / SFMTMP2-01 (24 V)



Switch Panel Regular

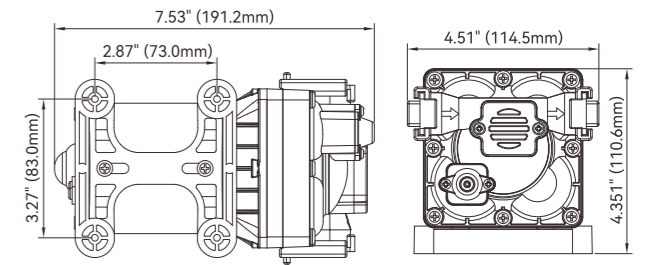


Model	Color	Features	Voltage	Max Draw	Diameter	Size	Type	Material
SFMTTE1-01-R	White	Built In Macerator	12 V	20 A	3/4" Inlet 1" Discharge	Household	Electric Impeller	Ceramic bowl, soft close seat
SFMTTE2-01-R	White	Built In Macerator	24 V	10 A	3/4" Inlet 1" Discharge	Household	Electric Impeller	Ceramic bowl, soft close seat

### Rinse Pump For Marine Toilets

#### FEATURES & BENEFITS

- It is the standard spare part of SEAFLO quiet flush electric toilet - flushing pump
- Self priming, strong suction, suction lift up to 1.8m
- Run dry safe, max flow can reach 4.0gpm/15.0lpm
- Multiple sizes of quick-connect fittings and filters are available for easy connection to any outlet
- Quiet operation, bypass technology reduces cycling and reduces noise
- Semi-rigid rubber feet for noise reduction from vibration



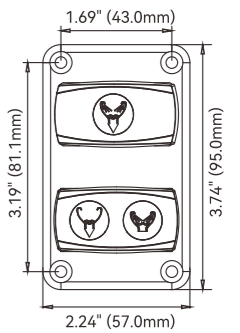
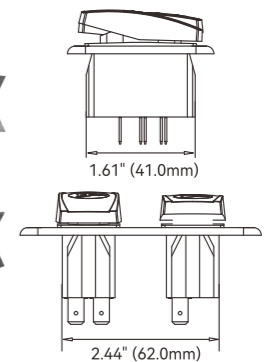
#### Standard Pump Configurations

Model	Voltage	GPM/LPM	PSI/BAR	Max Draw
SFDP1-040-050-43T	12 V	4.0/15.0	50/3.45	13 A
SFDP2-040-050-43T	24 V	4.0/15.0	50/3.45	7 A

### Switch Panel

#### FEATURES & BENEFITS

- Genuine SEAFLO spare parts for quiet flush electric toilet.
- Switch control panel 12/24V for electric toilet.
- Three-way control panel allows the operator to select a normal flush and drain cycle, or to lower or raise the water level.



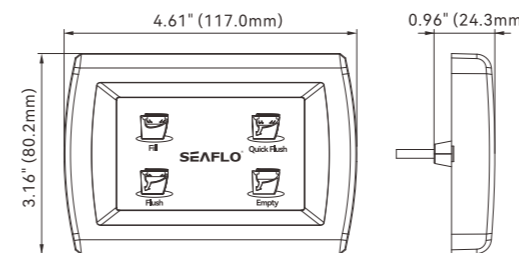
Model	Voltage	Fuse	Dimension
SFSP-015-03	12 V & 24 V	15 A	3.74" x 2.24" (95 x 57 mm)

### Smart Switch Panel For Quiet Flush Toilets

A new multifunctional "one touch" control pad for marine toilet, One-button control of toilet flush cycle.

#### FEATURES & BENEFITS

- Specifically for the Deluxe Flush Marine Toilets
- It can be used with the Deluxe Flush and Quiet Flush marine Toilets
- 4 smart touch controls, 4-way flush control pannel
- Features 4 smart touch controls: "Fill", "Quick Flush", "Flush" and "Empty"
- DC 12v or 24v available



Model	Voltage	Amp Draw	Fuse/Breaker	Wire Gauge Size
SFSP-015-04	12V/24V DC	20A at 12V or 10A at 24V	25 amp at 12V or 15amp at 24V	14 AWG

## Manually Operated Marine Toilet Pump

### FEATURES & BENEFITS

- Directly replaces electric pump assembly
- Easy to install
- Simple to operate
- Fits both SEAFLO manual and electric toilet
- Suitable for use in above or below waterline installations



Model	Control Type	Diameter	Dimension
SFMTMP-03	Twist 'n' Lock	3/4" Inlet 1-1/2" Discharge	11.8" x 7.5" x 4.7"

## Electric Conversion for Manual Toilets

### FEATURES & BENEFITS

- Directly replaces manual pump assembly
- Easy to install
- Simple to operate
- Dual action control allows water level to be varied
- Fits both SEAFLO manual and electric toilet
- Suitable for use in above or below waterline installations
- Built-in macerator with stainless steel chopper plate
- Self priming up to 0.6m(2ft)



Model	SFMTMP1-02	SFMTMP2-02
Voltage	12 V	24 V
Draw	24 A	13 A
Open Flow	5.0 GPM/18.9 LPM	
Dimension	11.8" x 7.5" x 4.7"	
Diameter	3/4" Inlet 1-1/2" Discharge	

## Deluxe Electric Toilet Flush Pump

### FEATURES & BENEFITS

- Standard accessory for Deluxe Electric Marine Toilet
- Makes the toilet flushing more quiet
- High Capacity Macerator and Bowl Scavenger Pump
- Fully Enclosed, with Stainless Steel Shaft
- Simply Operate by Pushing Button Switch
- Flexible Impeller Flush Pump
- All Corrosion Resistant Materials for Marine Use



Model	SFMTMP1-05	SFMTMP2-05
Voltage	12 V	24 V
Open Flow	53 GPM	200 LPM
AMPS	20 A	10 A
Fuse	25 A	15 A
Impeller	PA6+GF30%	

## Flush Pump for Marine Toilet

### FEATURES & BENEFITS

- High capacity macerator and bowl scavenger pump
- Flexible impeller flush pump
- Fully enclosed, with stainless steel shaft
- Simply operate by pushing button switch
- All corrosion resistant materials for marine use



Model	SFMTMP1-01	SFMTMP2-01
Voltage	12 V	24 V
Draw	20 A	10 A
Open Flow	5.0 GPM/18.9 LPM	
Dimension	9.1" x 5.5" x 4.7"	
Impeller	stainless steel	
Ports	0.78"	

## Quiet Electric Toilet Flush Pump

### FEATURES & BENEFITS

- Makes the toilet flushing more quiet
- High Capacity Macerator and Bowl Scavenger Pump
- Fully Enclosed, with Stainless Steel Shaft
- Simply Operate by Pushing Button Switch
- Flexible Impeller Flush Pump
- All Corrosion Resistant Materials for Marine Use



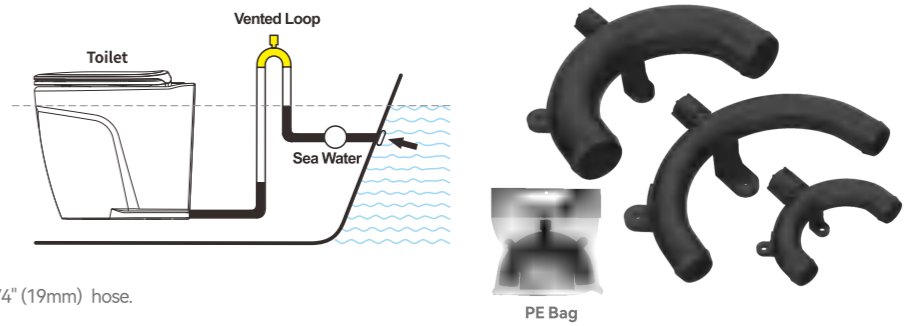
Model	SFMTMP1-04	SFMTMP2-04
Voltage	12 V	24 V
Draw	16 A	8 A
Open Flow	25 GPM/95 LPM	
Impeller	PPS+40%GF	
Ports	1"	

## Vented Loops

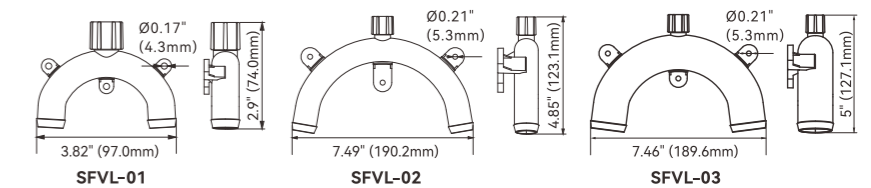
An essential safety component on all inlet and discharge plumbing of toilets installed below the static or heeled waterline.

### FEATURES & BENEFITS

- ensures water cannot siphon over plumbing loops.
- Internal valve avoids need for external venting
- Molded in tough, corrosion-proof plastic.
- Available in three sizes for 1-1/2" (38mm), 1" (25mm) and 3/4" (19mm) hose.



Model	Fitting
SFVL-01	3/4" (19mm)
SFVL-02	1" (25mm)
SFVL-03	1-1/2" (38mm)



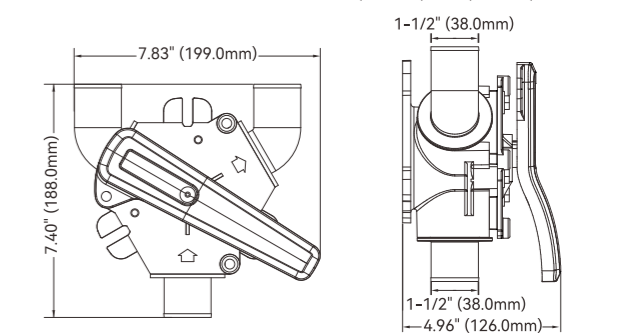
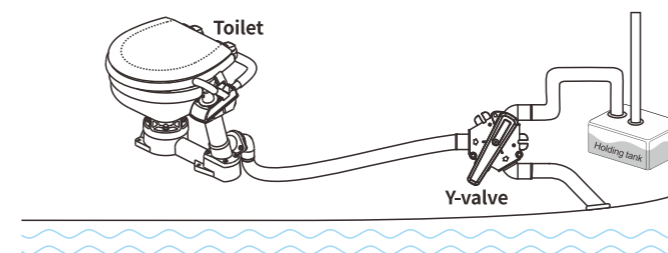
## Y-valve

Robust Y-Valve for use in toilet applications. Allows waste to be pumped overboard or into a holding tank.

### FEATURES & BENEFITS

- Allows waste to be pumped directly into holding tank or diverted to another discharge.
- Ergonomically designed rotating port and handle
- Connections for two 1-1/2" (38mm) ports and 1" (25mm) inlet port
- Features a waste and corrosion resistant construction.

Model	Inlet	Outlet
SFYV-01	1" (25mm) or 1-1/2" (38mm)	1-1/2" (38mm)

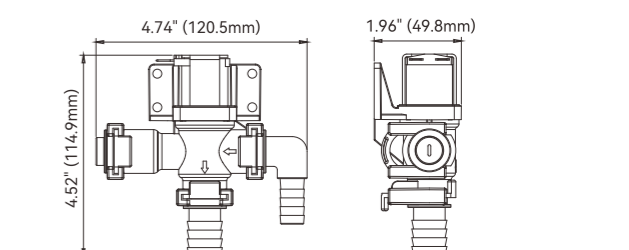


## Solenoid Valve & Siphon Breaker

### FEATURES & BENEFITS

SEAFLO solenoid valve and syphon breaker assembly for connection to any existing pressurised water system capable of delivering 2.9gpm (11lpm) or more. The syphon breaker ensures that there is no backflow from the toilet into the water system.

Model	Voltage	Power	Pressure
SFSV1-01	12V	9W	1-150 PSI
SFSV2-01	24V	9W	3-150 PSI





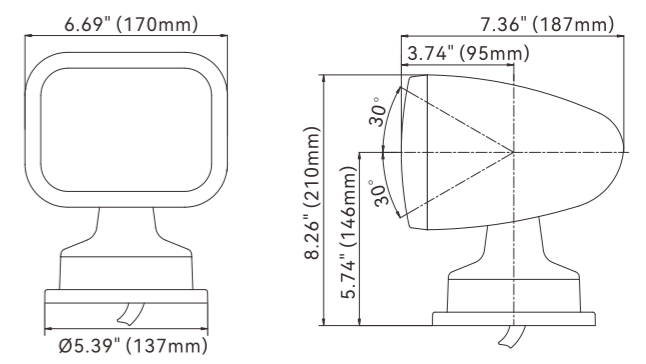


## Remote Control LED Searchlight

SEAFLO searchlights can perform omnidirectional, multi-angle, and long-distance lighting tasks. They can rotate 360 degrees horizontally and 60 degrees vertically. Equipped with a remote control and multifunction settings for user convenience, these searchlights are ideal for mariners locating buoys, moorings, channel markers, and more.

### FEATURES & BENEFITS

- 360° Horizontal rotation
- 60° Vertical sweep
- 2700LM super bright LED light source
- 300-400 Meters beam distance
- IP65 waterproof rating
- Remote control and 15ft / 4.6m cable included
- ASA material, corrosion-resistant, oxidation-resistant
- Long service life
- Easy installation



Model:	SFSL-2700W-01W	SFSL-2700Y-01W
Voltage:	10-30V	
Power:	28W	
Brightness:	2700Lumen	
Housing Color:	White	
Color Temperature:	White light 5500K	Warm light 2700K
Rotation Angle: (degrees)	Up and down 60° rotation, left and right 360° rotation	



Model:	SFSL-2700W-01B	SFSL-2700Y-01B
Voltage:	10-30V	
Power:	28W	
Brightness:	2700Lumen	
Housing Color:	Black	
Color Temperature:	White light 5500K	Warm light 2700K
Rotation Angle: (degrees)	Up and down 60° rotation, left and right 360° rotation	





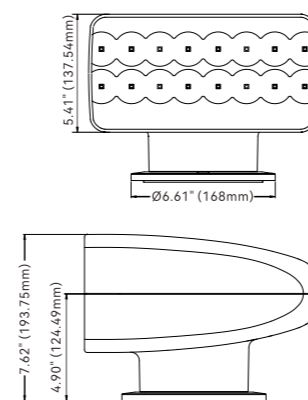
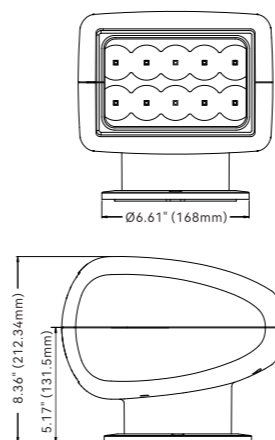
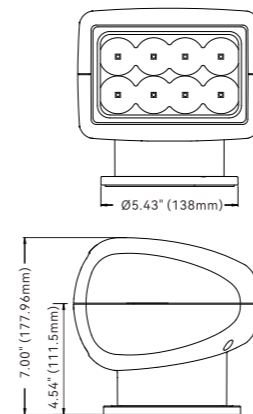
## Remote Control LED Searchlight

SEAFLO LED searchlight can perform all-round, multi-angle and long-range lighting tasks. It can scan 60°-75° vertically and rotate 360° horizontally. It is equipped with a remote control device for easy use and operation. It is very suitable for boaters to locate buoys, moorings and channel beacons, etc.

### FEATURES & BENEFITS

- 360° Horizontal rotation
- 60°-75° Vertical sweep
- 2700LM super bright LED light source
- 400-800 Meters beam distance
- IP65 waterproof rating

- Remote control and 15ft / 4.6m cable included
- ASA material, corrosion-resistant, oxidation-resistant
- Long service life
- Easy installation



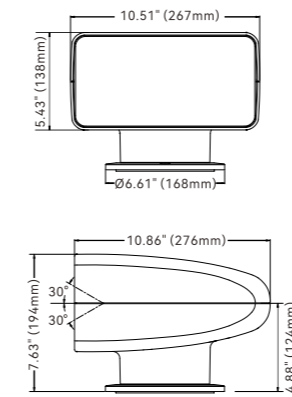
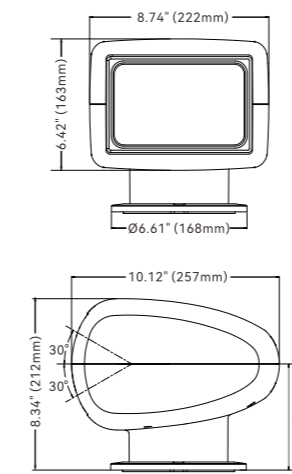
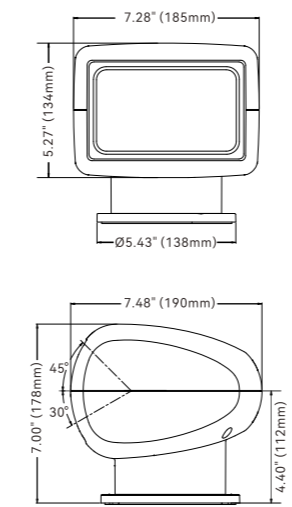
Model:	SFSL3-2000W-01W	SFSL3-2000Y-01W	SFSL3-2000W-01B	SFSL3-2000Y-01B
Voltage:	10-30V		10-30V	
Power:	25W		25W	
Candlepower:	100000 cd		100000 cd	
Housing Color:	White		Black	
Color Temperature:	White light 5500K	Warm light 3000K	White light 5500K	Warm light 3000K
Beam Distance:	1312' / 400m		1312' / 400m	
Rotation Angle:	Up and down 75° rotation, left and right 360° rotation			



Model:	SFSL3-2700W-02W	SFSL3-2700Y-02W	SFSL3-2700W-02B	SFSL3-2700Y-02B
Voltage:	10-30V		10-30V	
Power:	35W		35W	
Candlepower:	175000 cd		175000 cd	
Housing Color:	White		Black	
Color Temperature:	White light 5500K	Warm light 3000K	White light 5500K	Warm light 3000K
Beam Distance:	1968' / 600m		1968' / 600m	
Rotation Angle:	Up and down 60° rotation, left and right 360° rotation			



Model:	SFSL3-3500W-03W	SFSL3-3500Y-03W	SFSL3-3500W-03B	SFSL3-3500Y-03B
Voltage:	10-30V		10-30V	
Power:	40W		40W	
Candlepower:	200000 cd		200000 cd	
Housing Color:	White		Black	
Color Temperature:	White light 5500K	Warm light 3000K	White light 5500K	Warm light 3000K
Beam Distance:	2624' / 800m		2624' / 800m	
Rotation Angle:	Up and down 60° rotation, left and right 360° rotation			



## Remote Control Halogen Searchlight

SEAFLO searchlights can perform omnidirectional, multi-angle, and long-distance lighting tasks. It can rotate 360 degrees horizontally and 60-75 degrees vertically. Equipped with remote control switch for user convenience. Ideal for mariners locating buoys, moorings, channel markers etc. Ideal for large motorhomes and buses to pinpoint road signs, campsites or as a backup light.

### FEATURES & BENEFITS

- 360° Horizontal rotation
- 60°-75° Vertical sweep
- 260 - 420 Meters beam distance
- IP65 waterproof rating
- High output halogen sealed beam lamp

- Remote control and 15ft / 4.6m cable included
- ASA material, corrosion-resistant, oxidation-resistant
- Long service life
- Easy installation

Model:	SFSL1-50-01W	SFSL2-50-01W
Voltage:	12V	24V
Amps:	3.6A	2A
Power:	50W	
Candlepower:	100000 cd	
Beam Distance:	859' / 262m	
Rotation Angle:	Up and down 75° rotation, left and right 360° rotation	

Model:	SFSL1-50-01B	SFSL2-50-01B
Voltage:	12V	24V
Amps:	3.6A	2A
Power:	50W	
Candlepower:	100000 cd	
Beam Distance:	859' / 262m	
Rotation Angle:	Up and down 75° rotation, left and right 360° rotation	

Model:	SFSL1-50-02W	SFSL2-50-02W
Voltage:	12V	24V
Amps:	3.6A	2A
Power:	50W	
Candlepower:	175000 cd	
Beam Distance:	1266' / 386m	
Rotation Angle:	Up and down 60° rotation, left and right 360° rotation	

Model:	SFSL1-50-02B	SFSL2-50-02B
Voltage:	12V	24V
Amps:	3.6A	2A
Power:	50W	
Candlepower:	175000 cd	
Beam Distance:	1266' / 386m	
Rotation Angle:	Up and down 60° rotation, left and right 360° rotation	

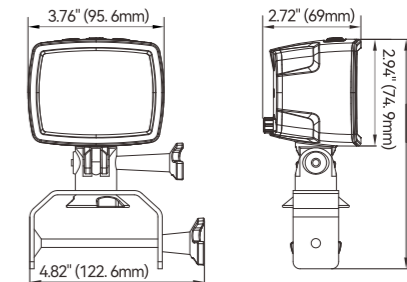
Model:	SFSL1-100-03W	SFSL2-100-03W
Voltage:	12V	24V
Amps:	7.2A	4A
Power:	100W	
Candlepower:	200000 cd	
Beam Distance:	1377' / 420m	
Rotation Angle:	Up and down 60° rotation, left and right 360° rotation	

Model:	SFSL1-100-03B	SFSL2-100-03B
Voltage:	12V	24V
Amps:	7.2A	4A
Power:	100W	
Candlepower:	200000 cd	
Beam Distance:	1377' / 420m	
Rotation Angle:	Up and down 60° rotation, left and right 360° rotation	



## LED Multi-Function Sport Light

Has UV (Ultra-violet) mode for charging UV paint coated lures and line  
 360° horizontal rotation, 180° vertical rotation  
 IP65 waterproof rating  
 ASA material, anti-oxidation, anti-impact, anti-corrosion  
 Includes versatile mount for boat or shore use  
 Powered by six AA batteries (not included).  
 Multi-purpose light ideal for fishing, boating, hunting, camping and more.

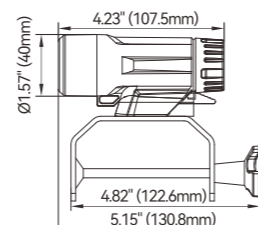
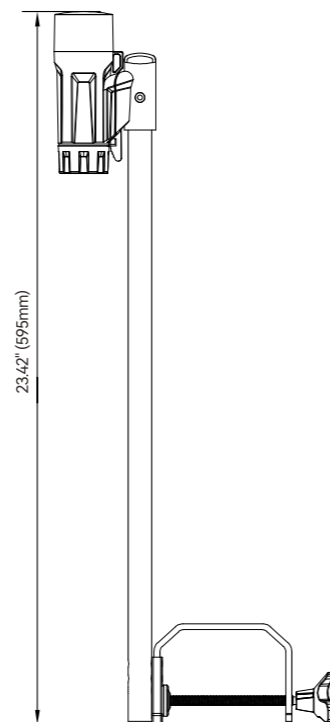


<b>Model:</b>	<b>SFMSL-01</b>
Voltage:	9V
Amps:	0.6A
Power:	5.3W
Rotation Angle:	Up and down 180° rotation, left and right 360° rotation



## LED Portable Navigation Light Kit

Includes red/green bow LED light and white stern LED light for small boats/tenders  
 IP65 waterproof rating  
 150+ hour run-time on three AAA batteries (not included)  
 Simple operation button switch  
 ASA material, anti-oxidation, impact resistance, and corrosion resistance

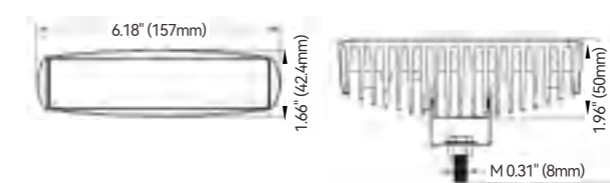


<b>Model:</b>	<b>SFPNL-01</b>
Voltage:	4.5V
Amps:	0.15A
Power:	0.7W
Light Type:	White stern and Bi-Color light
Visibility:	2NM

## LED Deck Lights

High quality LEDs for maximum light output and energy efficiency.

<b>Model:</b>	<b>SFDL1-WA-01</b>
Voltage:	10-30 V
LED Wattage:	18W
Effective Wattage:	14W
Mount Type:	Bracket mount
Color Temperature:	White (5500-6300K)
Material:	Aluminum



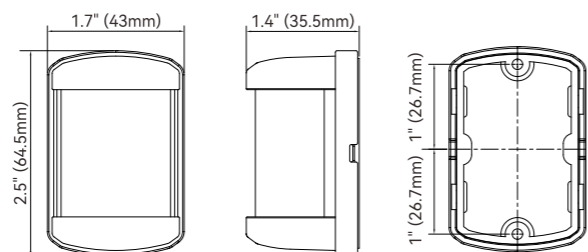


## LED Square Navigation Light-Mini

SEAFLO boat navigation lights adopt advanced LED technology, which is energy-efficient, has low power consumption, and offers a long service life, improving the safety of night navigation. They are suitable for boats with a length of less than 20 meters for night navigation and signaling.

### FEATURES & BENEFITS

- IP67 waterproof design
- Visible distance 2 nautical miles
- For boats up to 65.6 ft (20 m)
- UV resistant and corrosion resistant
- Low energy consumption and long lifespan
- High brightness and strong penetration
- Simple installation
- Super lightweight and convenient



Model:	SFNL011-SW-01	SFNL011-SB-01
Voltage:	12V	
Wattage:	1W	
Angle:	135°	
Housing color:	White	Black
Visibility:	2NM	



LED White Stern light 135°

Model:	SFNL011-MW-01	SFNL011-MB-01
Voltage:	12V	
Wattage:	1W	
Angle:	225°	
Housing color:	White	Black
Visibility:	2NM	



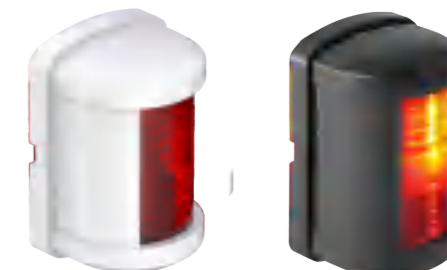
LED White Masthead light 225°

Model:	SFNL011-RW-01	SFNL011-RB-01
Voltage:	12V	
Wattage:	1W	
Angle:	112.5°	
Housing color:	White	Black
Visibility:	2NM	



LED Green Starboard light 112.5°

Model:	SFNL011-LW-01	SFNL011-LB-01
Voltage:	12V	
Wattage:	1W	
Angle:	112.5°	
Housing color:	White	Black
Visibility:	2NM	



LED Red Port light 112.5°

Model:	SFNL011-BW-01	SFNL011-BB-01
Voltage:	12V	
Wattage:	1W	
Angle:	225°	
Housing color:	White	Black
Visibility:	2NM	



LED Bi-Color bow light 225°

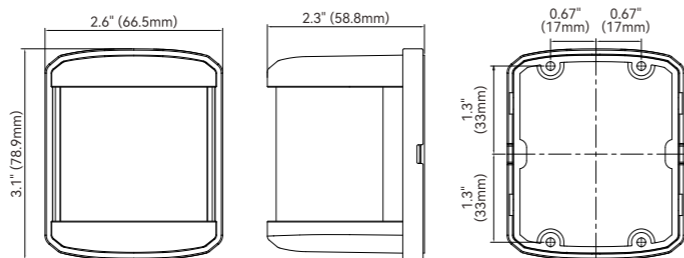


## LED Square Navigation Light-Regular

SEAFLO boat navigation lights adopt advanced LED technology, which is energy-efficient, has low power consumption, and offers a long service life, improving the safety of night navigation. They are suitable for boats with a length of less than 20 meters for night navigation and signaling.

### FEATURES & BENEFITS

- IP67 waterproof design
- Visible distance 2 nautical miles
- For boats up to 65.6 ft (20 m)
- UV resistant and corrosion resistant
- Low energy consumption and long lifespan
- High brightness and strong penetration
- Simple installation
- Super lightweight and convenient



LED White Masthead light 225°

Model:	SFNL011-MW-02	SFNL011-MB-02
Voltage:	12V	
Wattage:	1W	
Angle:	225°	
Housing color:	White	Black
Visibility:	2NM	



LED White Stern light 135°

Model:	SFNL011-SW-02	SFNL011-SB-02
Voltage:	12V	
Wattage:	1W	
Angle:	135°	
Housing color:	White	Black
Visibility:	2NM	

Model:	SFNL011-RW-02	SFNL011-RB-02
Voltage:	12V	
Wattage:	1W	
Angle:	112.5°	
Housing color:	White	Black
Visibility:	2NM	



LED Green Starboard light 112.5°

Model:	SFNL011-LW-02	SFNL011-LB-02
Voltage:	12V	
Wattage:	1W	
Angle:	112.5°	
Housing color:	White	Black
Visibility:	2NM	



LED Red Port light 112.5°

Model:	SFNL011-BW-02	SFNL011-BB-02
Voltage:	12V	
Wattage:	1W	
Angle:	225°	
Housing color:	White	Black
Visibility:	2NM	



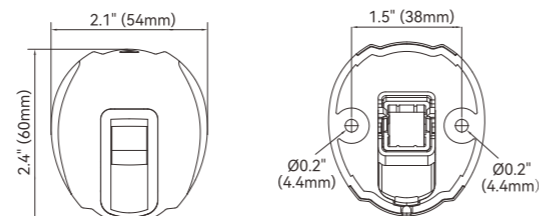
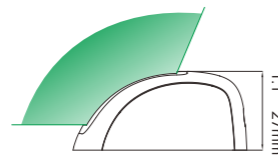
LED Bi-Color bow light 225°

## Deck Mounted Lights

SEAFLO boat navigation lights provide 2 nautical miles of visibility for power boats up to 65.6 ft (20 m). The application of advanced LED technology ensures high visibility and excellent heat dispersion. Constructed with a high-quality stainless steel housing and an engineering plastic base, these lights are lightweight and long-lasting. They are IP67 waterproof, ensuring reliability even in severe weather conditions such as wind and rain.

### FEATURES & BENEFITS

- IP67 waterproof design
- Visible distance 2 nautical miles
- For boats up to 65.6 ft (20 m)
- 316 stainless steel housing
- UV resistant and corrosion resistant
- Low energy consumption and long lifespan
- High brightness and strong penetration
- Simple installation
- Super lightweight and convenient



Vertical Mount Lights



LED Red Port light 112.5°

SFNL021-LS-01	
Voltage:	12V
Power:	1W
Angle:	112.5°
Visibility:	2NM
Installation:	Vertical Mount
Color:	Red



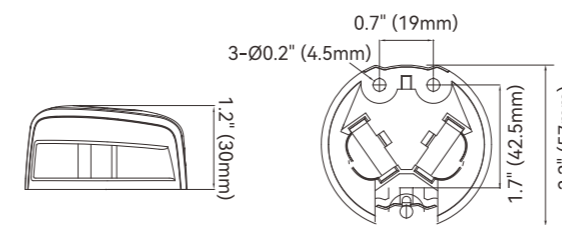
LED Green Starboard light 112.5°

SFNL021-RS-01	
Voltage:	12V
Power:	1W
Angle:	112.5°
Visibility:	2NM
Installation:	Vertical Mount
Color:	Green



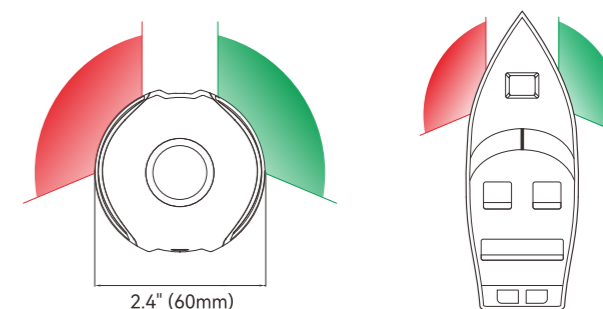
LED Green Starboard light and Red Port light 112.5° , Pair

SFNL021-PS-01	
Voltage:	12V
Power:	1W
Angle:	112.5°
Visibility:	2NM
Installation:	Vertical Mount
Color:	Red & Green



Horizontal Mount Lights

SFNL031-LS-01	
Voltage:	12V
Power:	1W
Angle:	112.5°
Visibility:	2NM
Installation:	Horizontal Mount
Color:	Red



LED Red Port light 112.5°

SFNL031-RS-01	
Voltage:	12V
Power:	1W
Angle:	112.5°
Visibility:	2NM
Installation:	Horizontal Mount
Color:	Green



LED Green Starboard light 112.5°

SFNL031-PS-01	
Voltage:	12V
Power:	1W
Angle:	112.5°
Visibility:	2NM
Installation:	Horizontal Mount
Color:	Red & Green



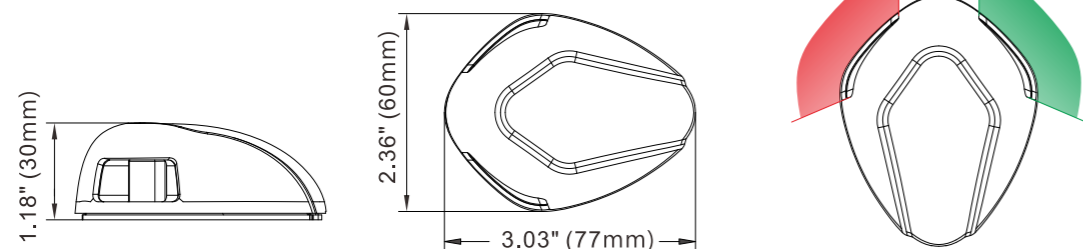
LED Green Starboard light and Red Port light 112.5° , Pair

SFNL031-BS-01	
Voltage:	12V
Power:	1W
Angle:	112.5°
Visibility:	2NM
Installation:	Horizontal Mount
Color:	Bi-Color

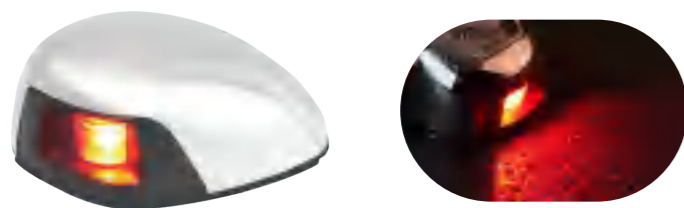


LED Bi-Color bow light 112.5°

Horizontal Mount Lights

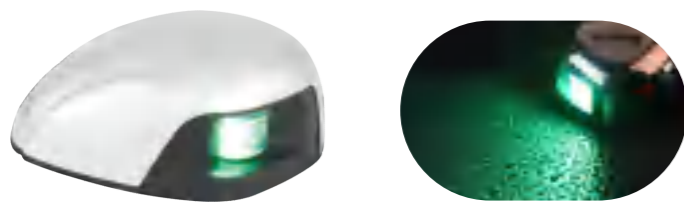


BOAT LIGHT



LED Red Port light 112.5°

SFNL031-LS-04	
Voltage:	12 V
Wattage:	1 W
Angle:	112.5°
Visibility:	2NM
Material:	Stainless Steel 316



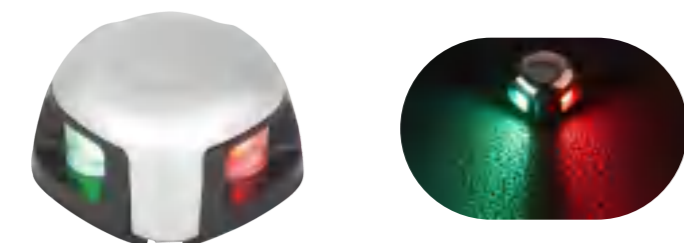
LED Green Starboard light 112.5°

SFNL031-RS-04	
Voltage:	12 V
Wattage:	1 W
Angle:	112.5°
Visibility:	2NM
Material:	Stainless Steel 316



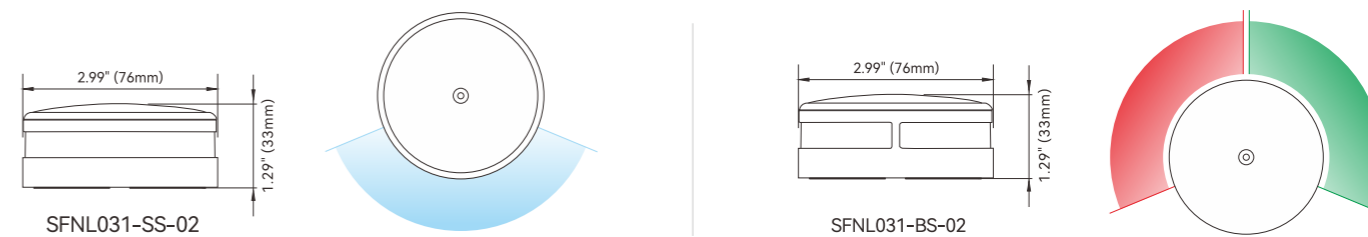
LED Green Starboard light and Red Port light 112.5° , Pair

SFNL031-PS-04	
Voltage:	12 V
Wattage:	1 W
Angle:	112.5°
Visibility:	2NM
Material:	Stainless Steel 316



LED Bi-Color Bow light 225°

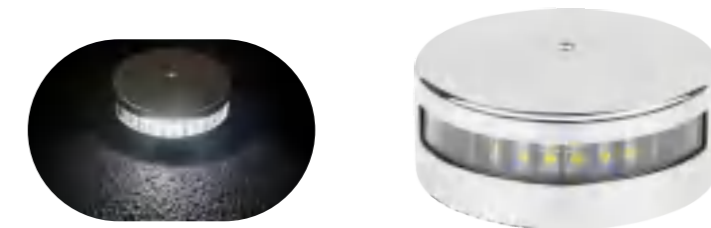
SFNL031-BS-04	
Voltage:	12 V
Wattage:	2 W
Angle:	225°
Visibility:	2NM
Material:	Stainless Steel 316



SFNL031-SS-02

SFNL031-BS-02

SFNL031-SS-02	
Voltage:	10-30 V
Wattage:	1.7 W
Angle:	135°
Visibility:	2NM
Material:	Stainless Steel



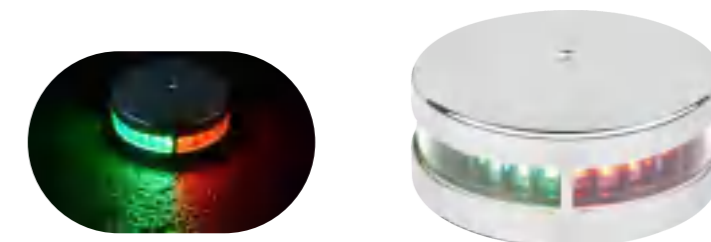
LED White Stern Light 135°

SFNL031-MS-02	
Voltage:	10-30 V
Wattage:	1.7 W
Angle:	225°
Visibility:	2NM
Material:	Stainless Steel



LED White Masthead Light 225°

SFNL031-BS-02	
Voltage:	10-30 V
Wattage:	1.7 W
Angle:	225°
Visibility:	2NM
Material:	Stainless Steel



LED Bi-Color Bow Light 225°



## Vertical Mount Lights



Green Starboard light and Red Port light

SFNL021-PS-02	
Voltage:	12 V
Wattage:	1 W
Angle:	112.5°
Visibility:	1NM
Material:	Stainless Steel 316

LED Green Starboard light and Red Port light 112.5° , Pair



LED Red Port light 112.5°

Red Port light

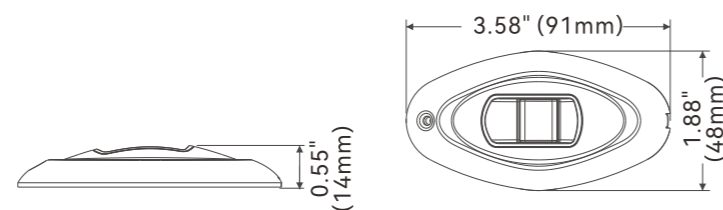
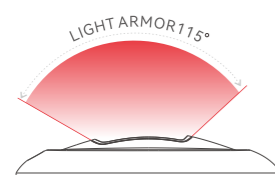
SFNL021-LS-02	
Voltage:	12 V
Wattage:	1 W
Angle:	112.5°
Visibility:	1NM
Material:	Stainless Steel 316



LED Green Starboard light 112.5°

Green Starboard light

SFNL021-RS-02	
Voltage:	12 V
Wattage:	1 W
Angle:	112.5°
Visibility:	1NM
Material:	Stainless Steel 316



## Vertical Mount Lights



LED Green Starboard light and Red Port light 112.5° , Pair

Green Starboard light and Red Port light

SFNL021-PW-03	
Voltage:	10-30 V
Wattage:	2 W
Angle:	112.5°
Housing color:	White
Visibility:	2NM
Material:	Plastic



LED Green Starboard light and Red Port light 112.5° , Pair

Green Starboard light and Red Port light

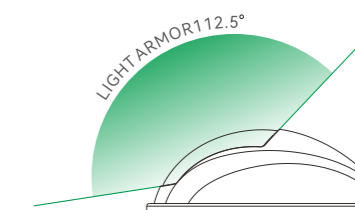
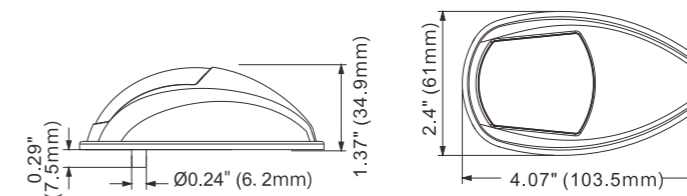
SFNL021-PB-03	
Voltage:	10-30 V
Wattage:	2 W
Angle:	112.5°
Housing color:	Black
Visibility:	2NM
Material:	Plastic



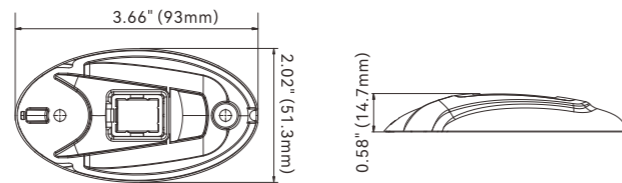
LED Green Starboard light and Red Port light 112.5° , Pair

Green Starboard light and Red Port light

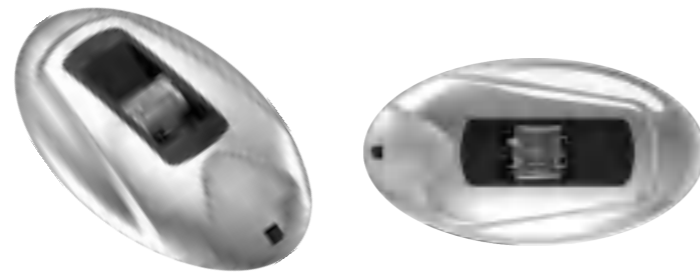
SFNL021-PZ-03	
Voltage:	10-30 V
Wattage:	2 W
Angle:	112.5°
Housing color:	Plastic Plating Silver
Visibility:	2NM
Material:	Plastic



### Vertical Mount Lights

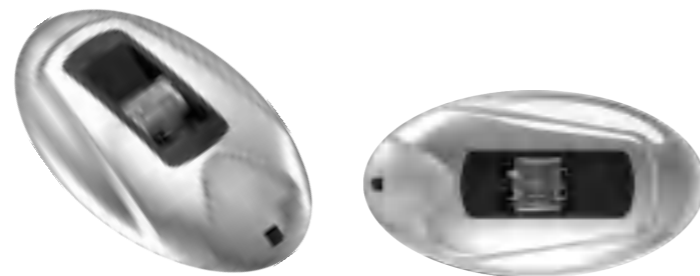


SFNL021-LS-04	
Voltage:	12V
Wattage:	1W
Angle:	112.5°
Visibility:	2NM
Color:	Red
Material:	Stainless Steel 316



LED Red Port light 112.5°

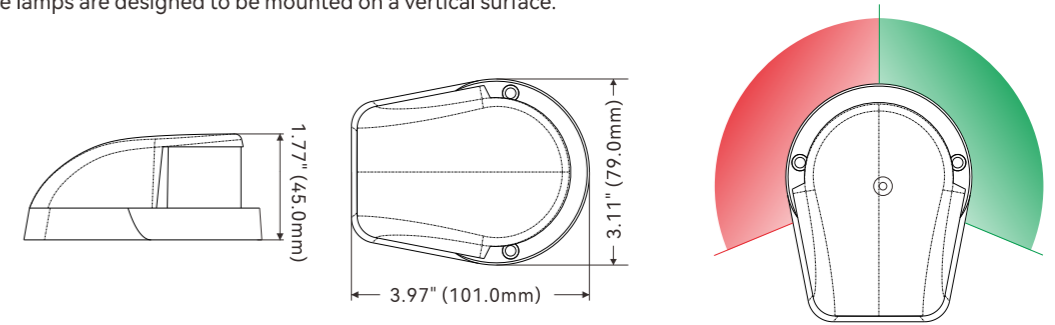
SFNL021-RS-04	
Voltage:	12V
Wattage:	1W
Angle:	112.5°
Visibility:	2NM
Color:	Green
Material:	Stainless Steel 316



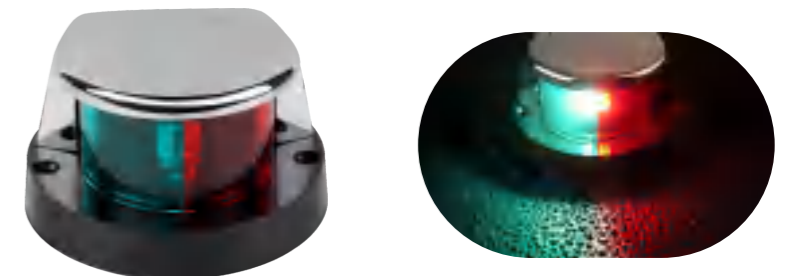
LED Green Starboard light 112.5°

### LED Bi-color Bow Light

Whether at anchor or underway, it's important your navigation lights are both functional and clearly visible to nearby boaters. This super-bright, sealed-for-life nav light is strong for a long and dependable life on the bow. The high-efficiency LED bi-color lamp has red and green LEDs, with a sector angle of 112.5° each, and is for use on the bow of sailboats and power-craft. It can be used in place of traditional sidelights or incandescent bow-lights. These lamps are designed to be mounted on a vertical surface.

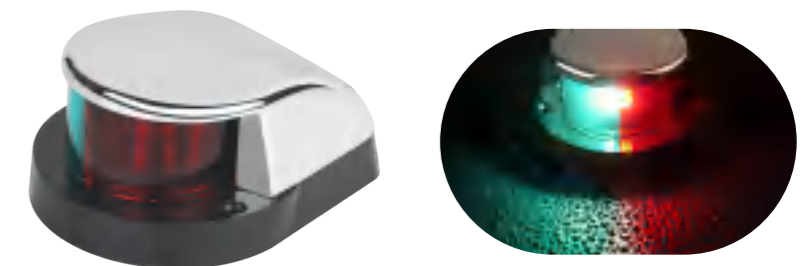


SFNL051-01S	
Voltage:	12V
Wattage:	0.7 W
Angle:	225°
Visibility:	1NM
Material:	Chrome-plated zinc

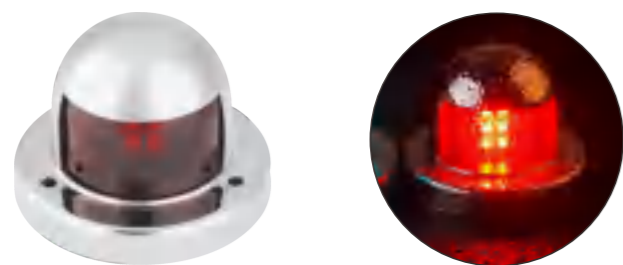
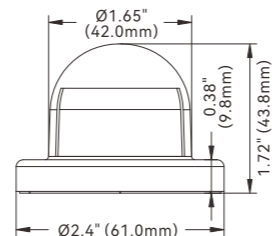
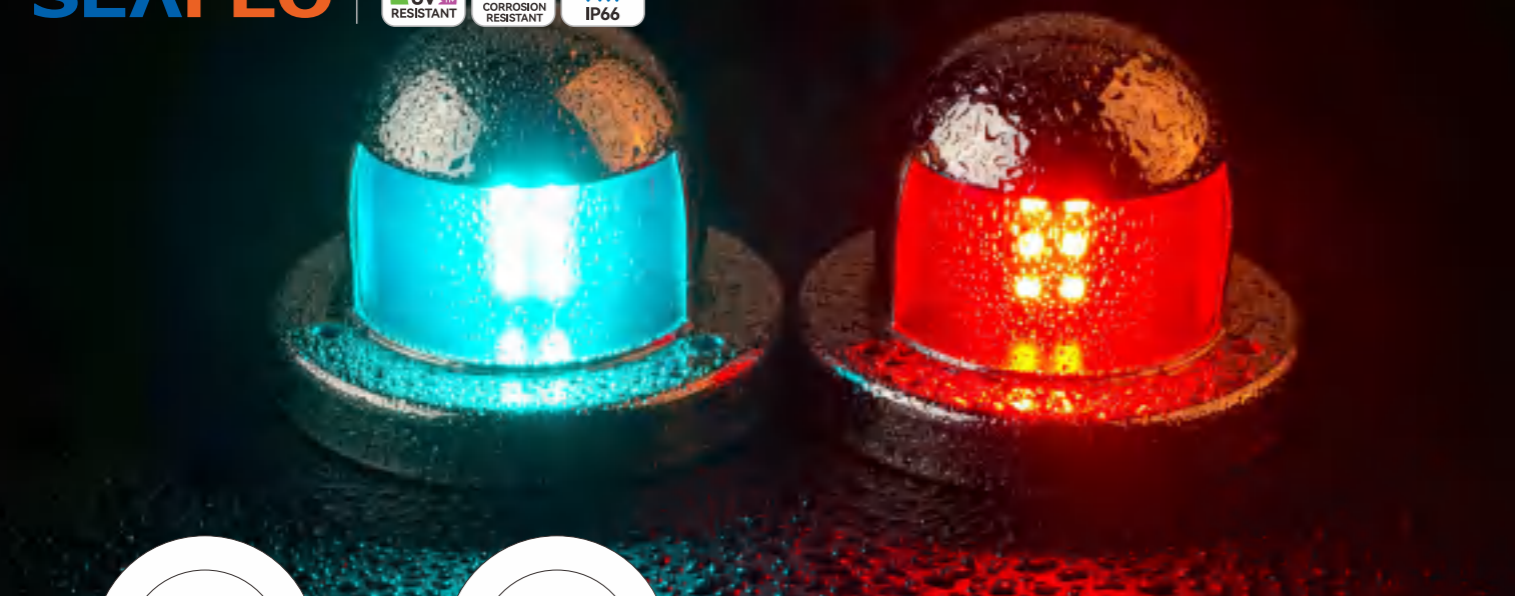


LED Bi-Color Bow Light 225°

SFNL053-01S	
Voltage:	10-30 V
Wattage:	2 W
Angle:	225°
Visibility:	2NM
Material:	Stainless Steel 316



LED Bi-Color Bow Light 225°



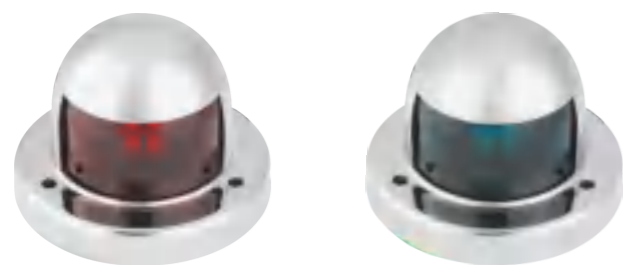
LED Red Port light 112.5°

SFNL031-LS-03	
Voltage:	12 V
Wattage:	1.5W
Angle:	112.5°
Visibility:	1NM
Material:	S.S. 316 and PC base



LED Green Starboard light 112.5°

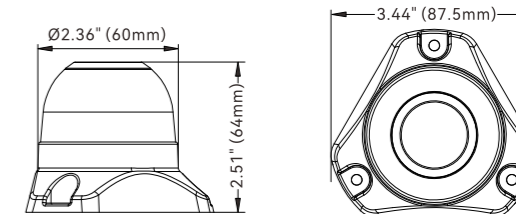
SFNL031-RS-03	
Voltage:	12 V
Wattage:	1.5W
Angle:	112.5°
Visibility:	1NM
Material:	S.S. 316 and PC base



LED Green Starboard light and Red Port light 112.5°, Pair

SFNL031-PS-03	
Voltage:	12 V
Wattage:	1.5W
Angle:	112.5°
Visibility:	1NM
Material:	S.S. 316 and PC base

LED All Round Light 10-30VDC

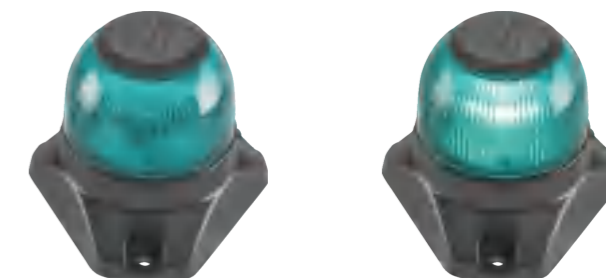


SFNL073-WB-01	
Voltage:	10-30 V
Wattage:	3 W
Lighting Color:	White 360°
Certificate:	USCG 3NM
Material:	Plastic



LED All Round Light White 360°

SFNL073-GB-01	
Voltage:	10-30 V
Wattage:	3 W
Lighting Color:	Green 360°
Certificate:	USCG 2NM
Material:	Plastic



LED All Round Light Green 360°

SFNL073-RB-01	
Voltage:	10-30 V
Wattage:	3 W
Lighting Color:	Red 360°
Certificate:	USCG 2NM
Material:	Plastic



LED All Round Light Red 360°

# LED All-Round Pole Lights-03 Series

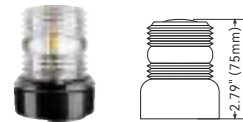
Material: Plastic+Stainless Steel

Color Temperature: Daylight white 4000-4500K

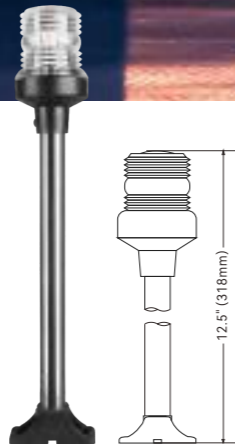
LED All-Round Light use for boats up to 65.6 ft (20m).

BOAT LIGHT

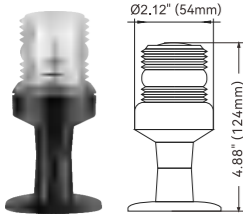
BOAT LIGHT



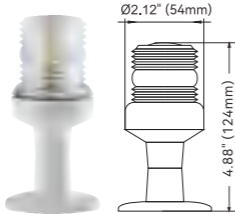
SFNL083-2-03B
Overall Length: 1-3/4" (71mm)
Voltage: 12-24V
Visibility: 3NM
Wattage: 2.5W
Material: Plastic+Stainless Steel



SFNL083-12-03B
Overall Length: 12-1/2" (318mm)
Voltage: 12-24V
Visibility: 3NM
Wattage: 2.5W
Base Type: Fixed mount
Material: Plastic+Stainless Steel



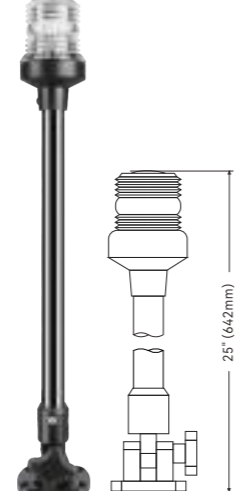
SFNL083-5-03B
Overall Length: 4-7/8" (124mm)
Voltage: 12-24V
Visibility: 3NM
Wattage: 2.5W
Base Type: Fixed mount
Material: Plastic+Stainless Steel



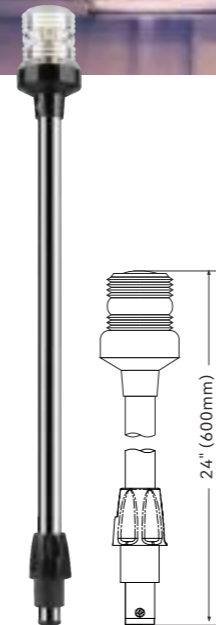
SFNL083-5-03W
Overall Length: 4-7/8" (124mm)
Voltage: 12-24V
Visibility: 3NM
Wattage: 2.5W
Base Type: Fixed mount
Material: Plastic+Stainless Steel



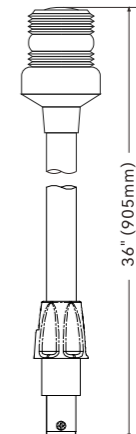
SFNL083-9-03B
Overall Length: 9-1/2" (248mm)
Voltage: 12-24V
Visibility: 3NM
Wattage: 2.5W
Base Type: Adjustable mount
Material: Plastic+Stainless Steel



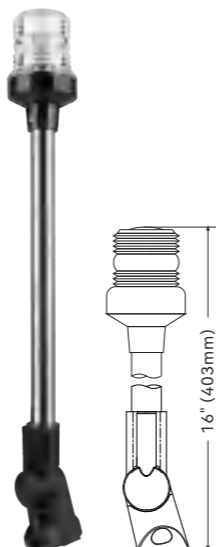
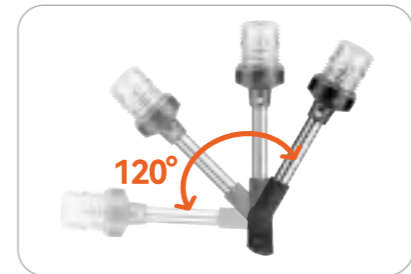
SFNL083-25-03B
Overall Length: 25" (642mm)
Voltage: 12-24V
Visibility: 3NM
Wattage: 2.5W
Base Type: Adjustable mount
Material: Plastic+Stainless Steel



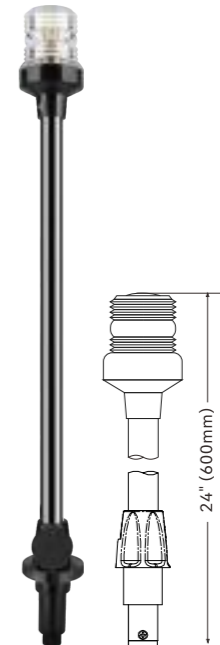
SFNL083-24-03B
Overall Length: 24" (600mm)
Voltage: 12-24V
Visibility: 3NM
Wattage: 2.5W
Base Type: Plug-in mount
Material: Plastic+Stainless Steel



SFNL083-36-03B
Overall Length: 36" (905mm)
Voltage: 12-24V
Visibility: 3NM
Wattage: 2.5W
Base Type: Plug-in mount
Material: Plastic+Stainless Steel



SFNL083-16-03B
Overall Length: 16" (403mm)
Voltage: 12-24V
Visibility: 3NM
Wattage: 2.5W
Base Type: Adjustable mount
Material: Plastic+Stainless Steel



SFNL083-24B-03B
Overall Length: 24" (600mm)
Voltage: 12-24V
Visibility: 3NM
Wattage: 2.5W
Base Type: Plug-in mount (w/Straight base)
Material: Plastic+Stainless Steel

# LED All-Round Pole Lights-04 Series

Material: Plastic+Stainless Steel

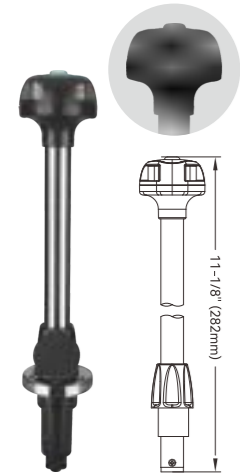
Color Temperature: Daylight white 4000-4500K

LED All-Round Light use for boats up to 65.6 ft (20m).



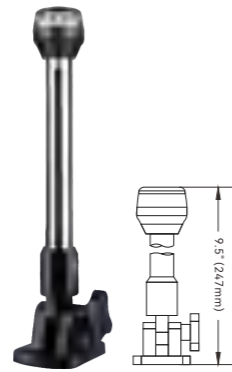
BOAT LIGHT

BOAT LIGHT



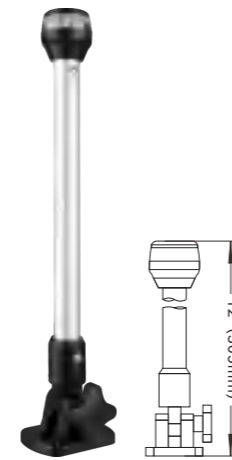
**SFNL051-11B-03B**

- Overall Length: 11-1/8" (282mm)
- Voltage: 12 V
- Visibility: 1NM
- Wattage: 2W
- Base Type: Plug-in mount  
w / SS Straight base
- Material: Plastic+Stainless Steel



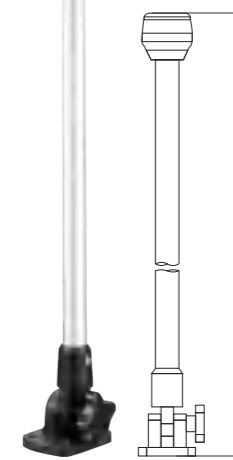
**SFNL083-9-04B**

- Overall Length: 9.5" (247mm)
- Voltage: 10-30V
- Visibility: 2NM
- Wattage: 1W
- Base Type: Adjustable mount
- Material: Plastic+Stainless Steel



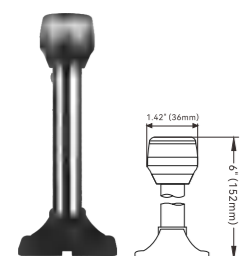
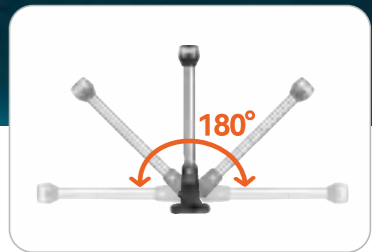
**SFNL083-12-04B**

- Overall Length: 12" (305mm)
- Voltage: 10-30V
- Visibility: 2NM
- Wattage: 1W
- Base Type: Adjustable mount
- Material: Plastic+Aluminum pole



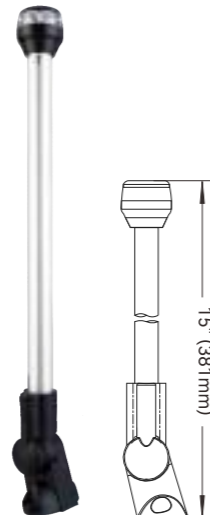
**SFNL083-24-04B**

- Overall Length: 23.6" (600mm)
- Voltage: 10-30V
- Visibility: 2NM
- Wattage: 1W
- Base Type: Adjustable mount
- Material: Plastic+Aluminum pole



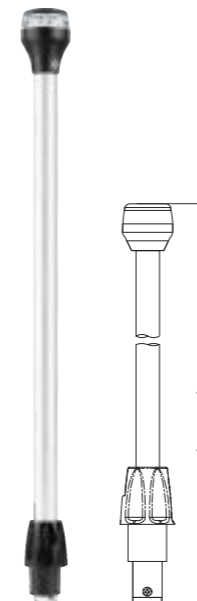
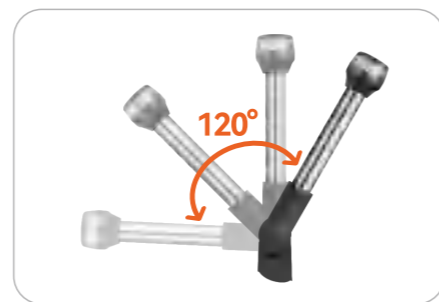
**SFNL083-6-04B**

- Overall Length: 6" (152mm)
- Voltage: 10-30V
- Visibility: 2NM
- Wattage: 1W
- Base Type: Fixed mount
- Material: Plastic+Stainless Steel pole



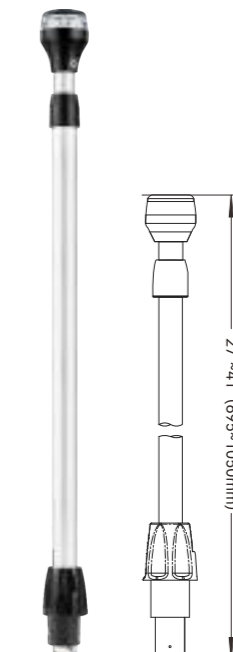
**SFNL083-15-04B**

- Overall Length: 15" (381mm)
- Voltage: 10-30V
- Visibility: 2NM
- Wattage: 1W
- Base Type: Adjustable mount
- Material: Plastic+Aluminum pole



**SFNL083-22-04B**

- Overall Length: 22" (557mm)
- Voltage: 10-30V
- Visibility: 2NM
- Wattage: 1W
- Base Type: Plug-in Mount
- Material: Plastic+Aluminum pole



**SFNL083-41-04B**

- Overall Length: 27"-41" (695-1050mm)
- Voltage: 10-30V
- Visibility: 2NM
- Wattage: 1W
- Base Type: Plug-in Mount
- Material: Plastic+Stainless Steel

# LED All-Round Pole Lights-02 Series

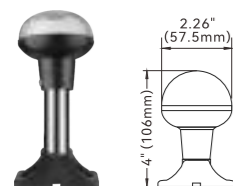
Material: Plastic+Stainless Steel

Color Temperature: Daylight white 4000-4500K

LED All-Round Light use for boats up to 65.6 ft (20m).

BOAT LIGHT

BOAT LIGHT



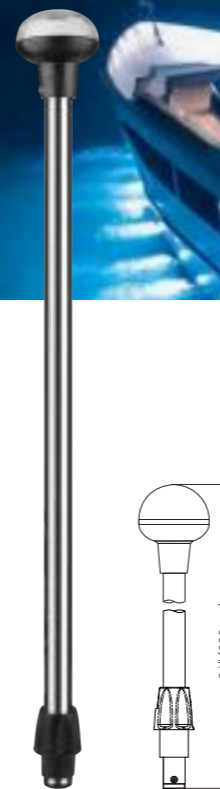
**SFNL081-4-02B**

- Overall Length: 4" (106mm)
- Voltage: 12 V
- Visibility: 2NM
- Wattage: 1.5W
- Base Type: Fixed mount
- Material: Plastic+Stainless Steel



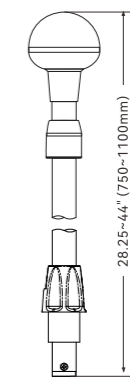
**SFNL081-7-02B**

- Overall Length: 7-1/2" (186mm)
- Voltage: 12 V
- Visibility: 2NM
- Wattage: 1.5W
- Base Type: Fixed mount
- Material: Plastic+Stainless Steel



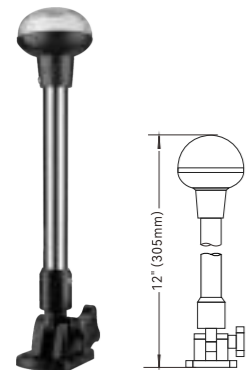
**SFNL081-36-02B**

- Overall Length: 36" (898mm)
- Voltage: 12 V
- Visibility: 2NM
- Wattage: 1.5W
- Base Type: Plug-in mount
- Material: Plastic+Stainless Steel



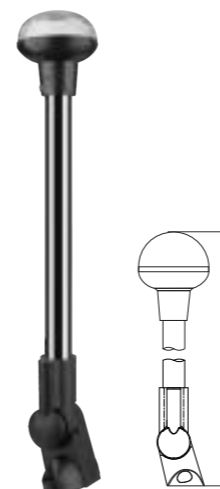
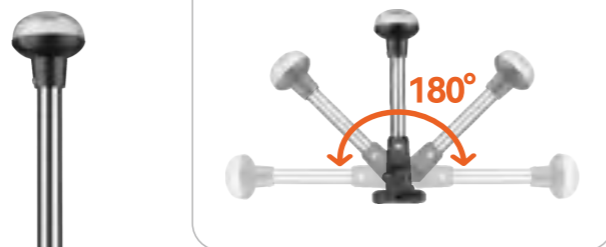
**SFNL081-44-02B**

- Overall Length: 28-1/4"~44" (750~1110mm)
- Voltage: 12 V
- Visibility: 2NM
- Wattage: 1.5W
- Base Type: Plug-in mount
- Material: Plastic+Stainless Steel



**SFNL081-12-02B**

- Overall Length: 12" (305mm)
- Voltage: 12 V
- Visibility: 2NM
- Wattage: 1.5W
- Base Type: Adjustable mount
- Material: Plastic+Stainless Steel



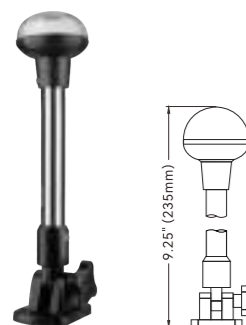
**SFNL081-16-02B**

- Overall Length: 16" (396mm)
- Voltage: 12 V
- Visibility: 2NM
- Wattage: 1.5W
- Base Type: Adjustable mount
- Material: Plastic+Stainless Steel



**SFNL081-24B-02B**

- Overall Length: 24" (593mm)
- Voltage: 12 V
- Visibility: 2NM
- Wattage: 1.5W
- Base Type: Plug-in mount ,w/ SS Straight base
- Material: Plastic+Stainless Steel



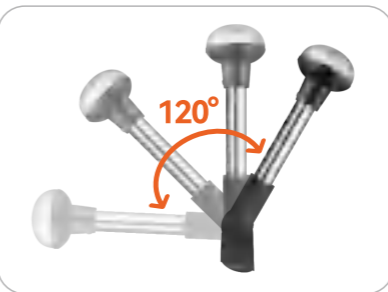
**SFNL081-9-02B**

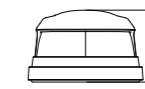
- Overall Length: 9-1/4" (235mm)
- Voltage: 12 V
- Visibility: 2NM
- Wattage: 1.5W
- Base Type: Adjustable mount
- Material: Plastic+Stainless Steel



**SFNL081-25-02B**

- Overall Length: 25" (635mm)
- Voltage: 12 V
- Visibility: 2NM
- Wattage: 1.5W
- Base Type: Adjustable mount
- Material: Plastic+Stainless Steel

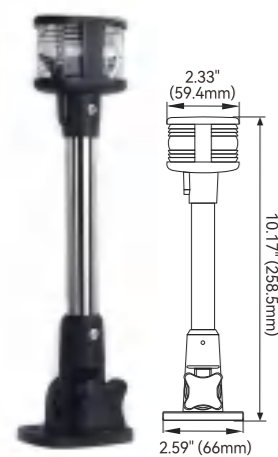




1.47" (37.5mm)

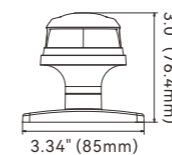
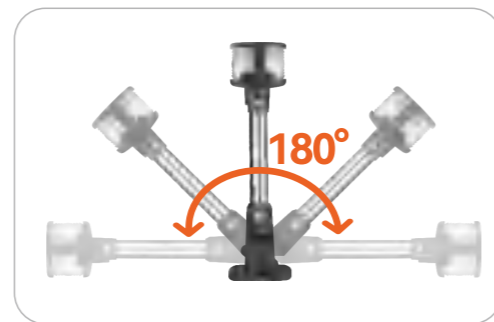
**SFNL051-04B**

- Voltage: 12 V
- Wattage: 1W
- Visibility: 2NM
- Color: Bi-color
- Angle: 225°
- Material: Plastic



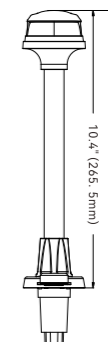
**SFNL061-10-01B**

- Height : 10"(259mm)
- Voltage: 12 V
- Visibility: 2NM
- Base Type: Adjustable mount
- Bulb Type : LED
- Material: Plastic+Stainless steel



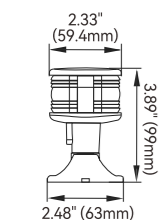
**SFNL051-3-04B**

- Voltage: 12 V
- Wattage: 1W
- Visibility: 2NM
- Color: Bi-color
- Angle: 225°
- Material: Plastic



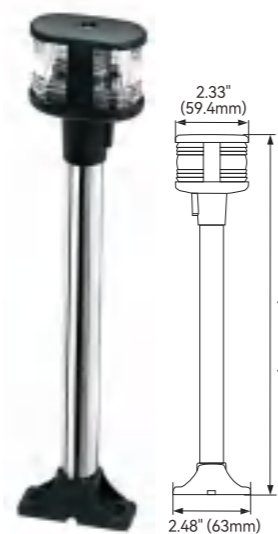
**SFNL051-12B-04B**

- Voltage: 12 V
- Wattage: 1W
- Visibility: 2NM
- Color: Bi-color
- Angle: 225°
- Material: Plastic +S316



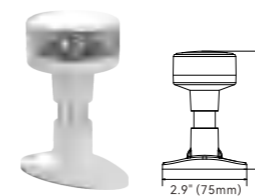
**SFNL061-4-01B**

- Height: 4" (99mm)
- Voltage: 12 V
- Visibility: 2NM
- Base Type: Fixed mount
- Bulb Type: LED
- Material: Plastic



**SFNL061-12-01B**

- Height : 12"(293mm)
- Voltage: 12 V
- Visibility: 2NM
- Base Type: Fixed mount
- Bulb Type : LED
- Material: Plastic+Stainless steel



**SFNL081-4-05W**

- Voltage: 12 V
- Wattage: 2W
- Visibility: 3NM
- Color: White
- Angle: 360°
- Material: Plastic

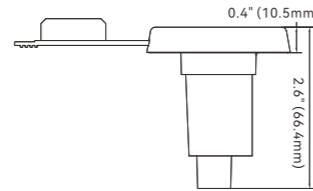
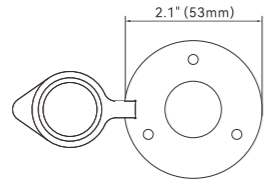
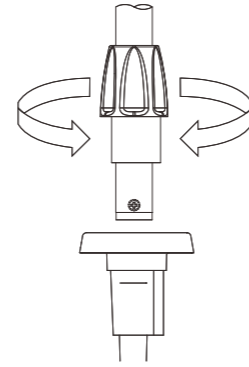


**SFNL081-12B-05W**

- Voltage: 12 V
- Wattage: 2W
- Visibility: 3NM
- Color: White
- Angle: 360°
- Material: Plastic+S316

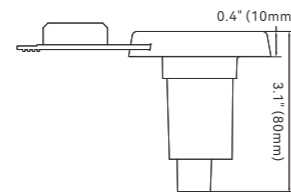
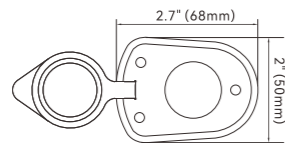
## Mounting Base for Plug-in Mount Pole Lights

SEAFLO Plug-In Light Base is a dependable, easy to use base for an pole light (sold separately). The innovative design ensures the pole inserts with a tight and secure fit, and it prevents rattling while the boat is underway or during trailering.



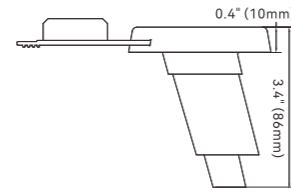
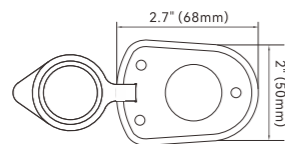
### SFPB-01S

Base Type:	Straight base
Material:	Stainless Steel and PC
Size:	2.1" x 2.1" x 2.6" 53 x 53 x 66.4 mm



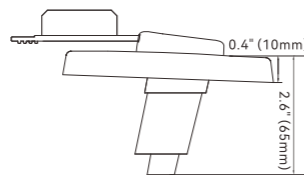
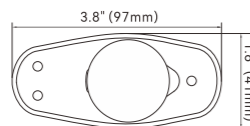
### SFPB-01

Base Type:	Straight base
Material:	Plastic
Size:	2.7" x 2.0" x 3.1" 68 x 50 x 80mm



### SFPB-02

Base Type:	Angled base
Material:	Plastic
Size:	2.7" x 2.0" x 3.4" 68 x 50 x 86mm

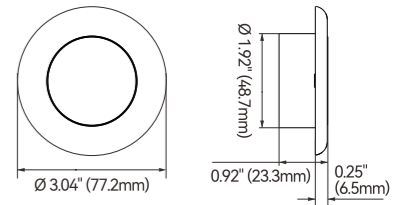


### SFPB-03

Base Type:	Angled base
Material:	Plastic
Size:	3.8" x 1.6" x 2.6" 97 x 41 x 65mm

## LED Ceiling Light

This is ceiling Light with beautiful appearance and accent. This simple and stylish dome Light is pre-wired with an integral built-in mini on/off rocker switch. With weather proof design, this stylish ceiling light can be used normally in severe environment. It can be surface-mounted on any flat ceiling surface, simple and quick Installation. These lights are going to be a great addition to your RV, boat or even your room.



lighting effect

### SFCL1-3-WW-01

Voltage:	12V
Wattage:	1W
Power:	6 x 0.2W
Installation Method:	Flush mount
Color Temperature:	Cool White (5500-6300K)
Material:	PC White



lighting effect

### SFCL1-3-YW-01

Voltage:	12V
Wattage:	1W
Power:	6 x 0.2W
Installation Method:	Flush mount
Color Temperature:	Warm White (2900-3200K)
Material:	PC White

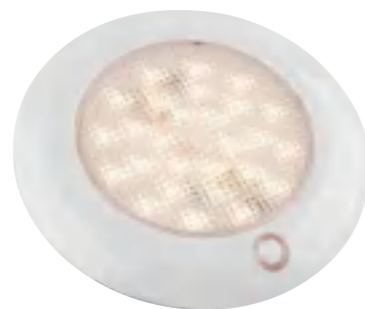


lighting effect

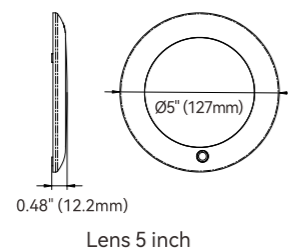
### SFCL1-3-BW-01

Voltage:	12V
Wattage:	1W
Power:	6 x 0.2W
Installation Method:	Flush mount
Color Temperature:	Bule
Material:	PC White





lighting effect



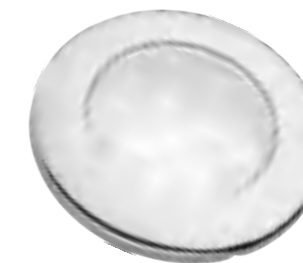
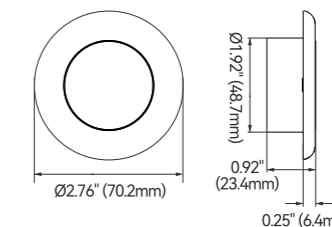
Lens 5 inch

**SFCL1-5-YW-04**

Voltage	10-30V
Wattage:	6W
Installation Method:	Surface mount
Color Temperature:	Warm White (2900-3200K)
Diameter:	5" (127mm)

**SFCL1-3-WS-01**

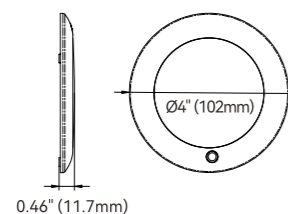
Voltage	12V
Wattage:	1W
Power:	6 × 0.2W
Installation Method:	Flush mount
Color Temperature:	Cool White (5500-6300K)
Material:	PC White



lighting effect



lighting effect



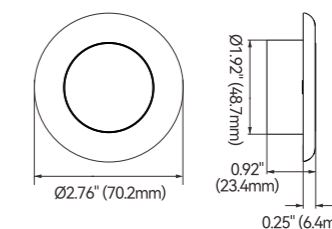
Lens 4 inch

**SFCL1-4-YW-04**

Voltage	10-30V
Wattage:	6W
Installation Method:	Surface mount
Color Temperature:	Warm White (2900-3200K)
Diameter:	4" (102mm)

**SFCL1-3-YS-01**

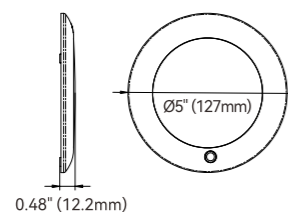
Voltage	12V
Wattage:	1W
Power:	6 × 0.2W
Installation Method:	Flush mount
Color Temperature:	Warm White(2900-3000K)
Material:	PC White



lighting effect



lighting effect



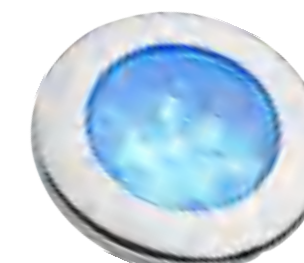
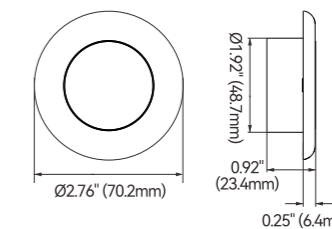
Lens 5 inch

**SFCL1-5-WW-04**

Voltage	10-30V
Wattage:	6W
Installation Method:	Surface mount
Color Temperature:	White (5800-6300K)
Diameter:	5" (127mm)

**SFCL1-3-BS-01**

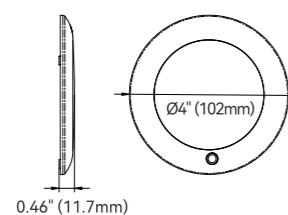
Voltage	12V
Wattage:	1W
Power:	6 × 0.2W
Installation Method:	Flush mount
Color Temperature:	Blue
Material:	PC+S.S.304



lighting effect



lighting effect



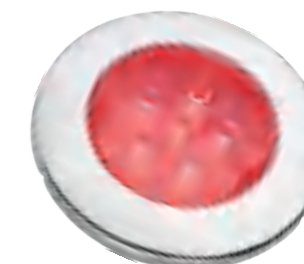
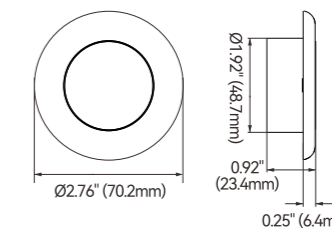
Lens 4 inch

**SFCL1-4-WW-04**

Voltage	10-30V
Wattage:	6W
Installation Method:	Surface mount
Color Temperature:	White (5800-6300K)
Diameter:	4" (102mm)

**SFCL1-3-RS-01**

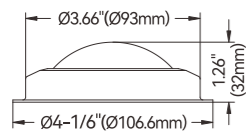
Voltage	12V
Wattage:	1W
Power:	6 × 0.2W
Installation Method:	Flush mount
Color Temperature:	Red
Material:	PC+S.S.304



lighting effect



## LED Ceiling Light

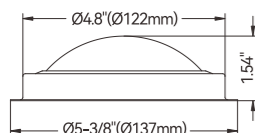


Lens 3 inch



### SFCL1-4-WC-02

Voltage:	12VDC
Wattage:	3.6W
LED Power:	20 x 0.2W
Installation Method:	Surface mount
Color Temperature:	White (5500-6300K)
Diameter:	4-1/6" (106.6mm)
Material:	Brass

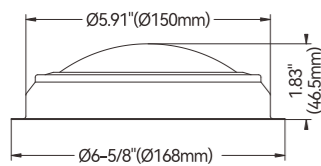


Lens 4 inch



### SFCL1-5-WC-02

Voltage:	12V
Wattage:	3.6W
LED Power:	20x0.2W
Installation Method:	Surface mount
Color Temperature:	White (5500-6300K)
Diameter:	5-3/8" (137mm)
Material:	Brass

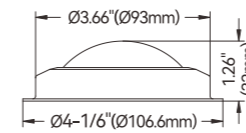


Lens 5 inch



### SFCL1-6-WC-02

Voltage:	12VDC
Wattage:	3.6W
LED Power:	20x0.2W
Installation Method:	Surface mount
Color Temperature:	White (5500-6300K)
Diameter:	6-5/8" (168mm)
Material:	Brass

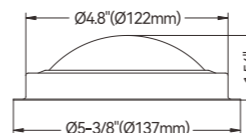


Lens 3 inch



### SFCL1-4-WS-02

Voltage:	12VDC
Wattage:	3.6W
LED Power:	20 x 0.2W
Installation Method:	Surface mount
Color Temperature:	White (5500-6300K)
Diameter:	4-1/6" (106.6mm)
Material:	S.S.304

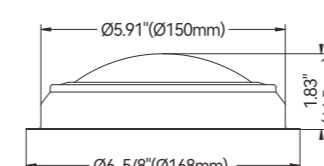


Lens 4 inch



### SFCL1-5-ZS-02

Voltage:	12V
Wattage:	3.6W
LED Power:	20 x 0.2W
Installation Method:	Surface mount
Color Temperature:	Red/White (5500-6300K)
Diameter:	5-3/8" (137mm)
Material:	S.S.304

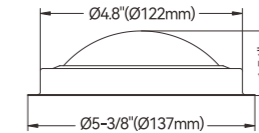


Lens 5 inch



### SFCL1-6-WS-03

Voltage:	12VDC
Wattage:	3.6W
LED Power:	20x0.2W
Installation Method:	Surface mount
Color Temperature:	White (5500-6300K)
Diameter:	6-5/8" (168mm)
Material:	S.S.304

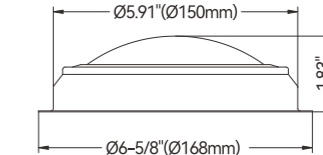


Lens 4 inch

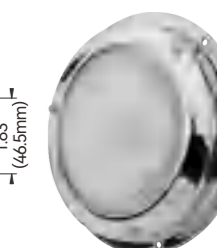


### SFCL1-5-WS-02

Voltage:	12V
Wattage:	3.6W
LED Power:	20 x 0.2W
Installation Method:	Surface mount
Color Temperature:	White (5500-6300K)
Diameter:	5-3/8" (137mm)
Material:	S.S.304

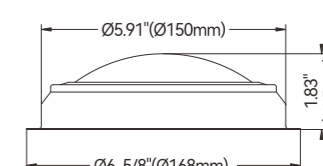


Lens 5 inch



### SFCL1-6-WS-02

Voltage:	12VDC
Wattage:	3.6W
LED Power:	20x0.2W
Installation Method:	Surface mount
Color Temperature:	White (5500-6300K)
Diameter:	6-5/8" (168mm)
Material:	S.S.304



Lens 5 inch

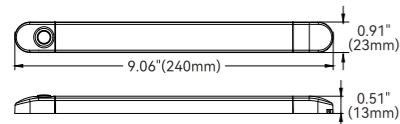


### SFCL1-6-ZS-03

Voltage:	12VDC
Wattage:	3.6W
LED Power:	20x0.2W
Installation Method:	Surface mount
Color Temperature:	Red/White (5500-6300K)
Diameter:	6-5/8" (168mm)
Material:	S.S.304

## LED Strip Light

These strip lamps provide a soft and uniform courtesy light pattern in white, warm white, blue or red. The range is ideal for interior or exterior applications including storage lockers, under cabinetry, under gunnels and more. The sealed switch system prevents moisture and other contaminants from affecting electronics. Surface mount installation with fastenings in each end of the lamp body are covered by snap-on end caps for a clean and modern appearance.



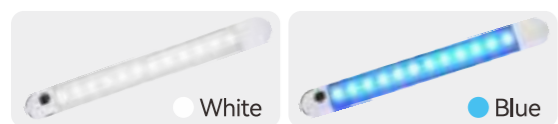
lighting effect

SFSL1-WW-01	
Voltage:	12VDC
Wattage:	4W
Mount Type:	Surface mount
Color Temperature:	White (4000-4500K)
Material:	Plastic
Switch:	NO
Size:	9-3/8"/240mm



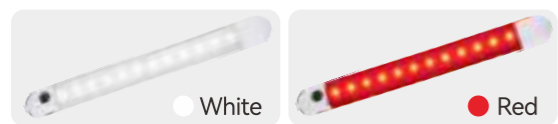
lighting effect

SFSL1-WW-01S	
Voltage:	12VDC
Wattage:	4W
Mount Type:	Surface mount
Color Temperature:	White (4000-4500K)
Material:	Plastic
Switch:	YES
Size:	9-3/8"/240mm



lighting effect

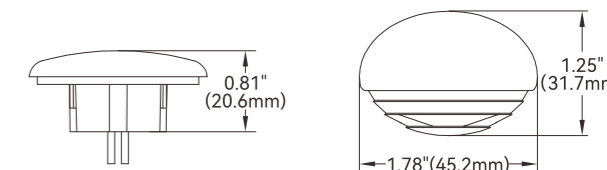
SFSL1-XW-01S	
Voltage:	12VDC
Wattage:	4W
Mount Type:	Surface mount
Color Temperature:	White+Blue
Material:	Plastic
Switch:	YES
Size:	9-3/8"/240mm



lighting effect

SFSL1-ZW-01S	
Voltage:	12VDC
Wattage:	4W
Mount Type:	Surface mount
Color Temperature:	White+Red
Material:	Plastic
Switch:	YES
Size:	9-3/8"/240mm

## LED Courtesy Light



lighting effect

SFCL1-WS-04	
Voltage:	12VDC
Wattage:	0.2W
Power:	1 × 0.2W
Installation Method:	Flush mount
Color Temperature:	Cool White (5500-6300K)



lighting effect

SFCL1-BS-04	
Voltage:	12VDC
Wattage:	0.2W
Power:	1 × 0.2W
Installation Method:	Flush mount
Color Temperature:	Blue



lighting effect

SFCL1-YS-04	
Voltage:	12VDC
Wattage:	0.2W
Power:	1 × 0.2W
Installation Method:	Flush mount
Color Temperature:	Warm White (2800-3200K)

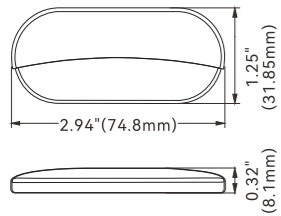


lighting effect

SFCL1-CS-04	
Voltage:	12VDC
Wattage:	0.2W
Power:	4 × 0.2W
Installation Method:	Flush mount
Color Temperature:	Multi-Color

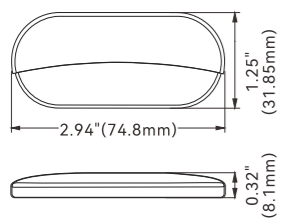
## LED Courtesy Light

LED courtesy lights are versatile lighting solutions suitable for both daytime and nighttime use. They provide safe, reliable and energy efficient lighting for interior or exterior applications, effectively highlighting specific areas within your vessel.



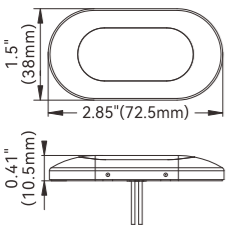
lighting effect

SFCL1-WS-03	
Voltage:	12VDC
Wattage:	0.4W
Power:	4x0.2W
Installation Method:	Surface mount
Color Temperature:	Cool White(5500-6300K)
Material:	PC+Stainless Steel



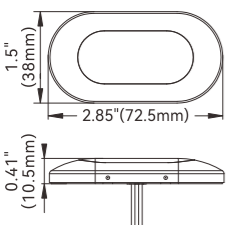
lighting effect

SFCL1-YS-03	
Voltage:	12VDC
Wattage:	0.4W
Power:	4x0.2W
Installation Method:	Surface mount
Color Temperature:	Warm White(2800-3200K)
Material:	PC+Stainless Steel



lighting effect

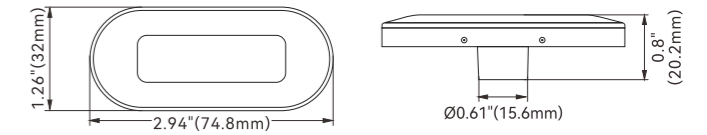
SFCL1-WS-02	
Voltage:	12VDC
Wattage:	1.2W
Power:	6x0.2W
Installation Method:	Surface mount
Color Temperature:	Cool White(5500-6300K)
Material:	S.S. 304



lighting effect

SFCL1-BS-02	
Voltage:	12VDC
Wattage:	1.2W
Power:	6x0.2W
Installation Method:	Surface mount
Color Temperature:	Blue
Material:	S.S. 304

## LED Oblong Courtesy Light



lighting effect

Model:	SFCL1-WS-01	SFCL2-WS-01	SFCL3-WS-01
Voltage:	12V	24V	12-24V
Wattage:	0.5W	0.5W	0.5W
Power:	3x0.2W	3x0.2W	3x0.2W
Installation Method:	Flush mount	Flush mount	Flush mount
Material:	S.S. 316 and PC base		
Cool:	Cool White (5500-6300K)		

Model:	SFCL1-YS-01	SFCL2-YS-01	SFCL3-YS-01
Voltage:	12V	24V	12-24V
Wattage:	0.5W	0.5W	0.5W
Power:	3x0.2W	3x0.2W	3x0.2W
Installation Method:	Flush mount	Flush mount	Flush mount
Cool:	Warm White(2900-3200K)		
Material:	S.S. 316 and PC base		



lighting effect

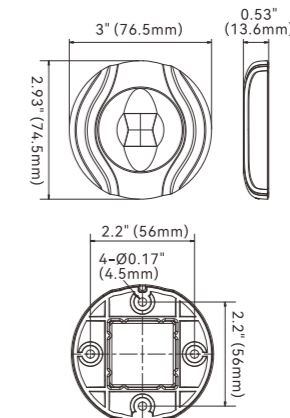
Model:	SFCL1-BS-01	SFCL2-BS-01	SFCL3-BS-01
Voltage:	12V	24V	12-24V
Wattage:	0.5W	0.5W	0.5W
Power:	3x0.2W	3x0.2W	3x0.2W
Installation Method:	Flush mount	Flush mount	Flush mount
Cool:	Blue		
Material:	S.S. 316 and PC base		



lighting effect

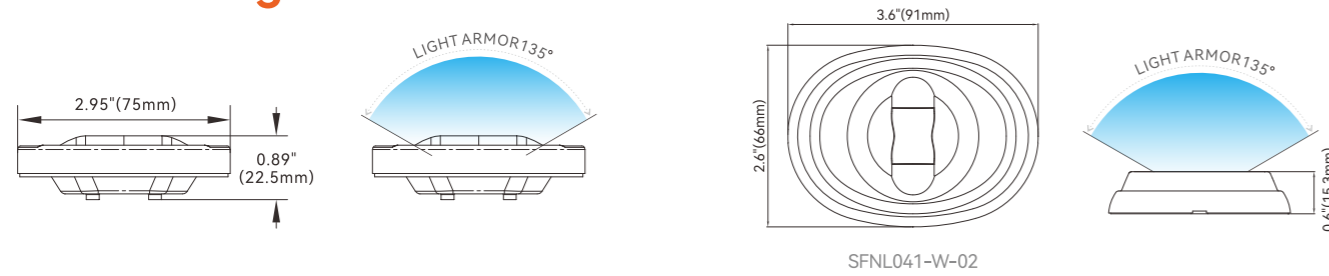
## LED Stern Light

SFNL041-W-03	
Voltage:	12V
Wattage:	2W
Angle:	135°
Visibility:	3NM
Color:	White
Material:	Stainless Steel 316



LED Stern Light 135°

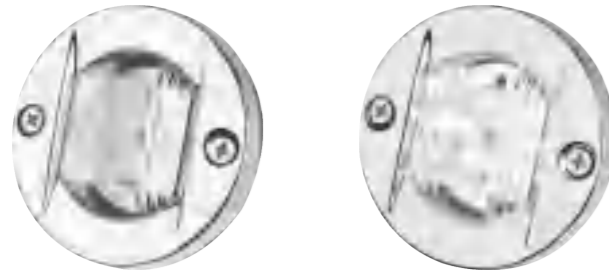
## LED Stern Light



SFNL041-W-02

### SFNL041-W-01

Voltage:	12V
Wattage:	2.2W
Visibility:	2NM
Angle:	135°
Lighting Color:	Cool White
Material:	S.S.304



lighting effect



lighting effect

### SFNL041-Y-01

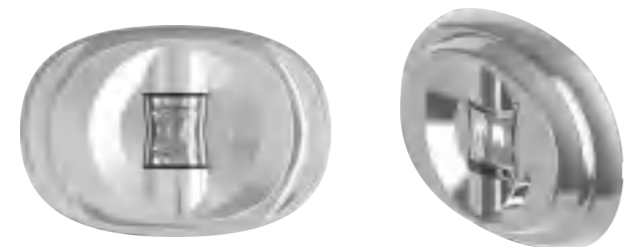
Voltage:	12V
Wattage:	2.2W
Visibility:	2NM
Angle:	135°
Lighting Color:	Warm White
Material:	S.S.304

### SFNL041-B-01

Voltage:	12V
Wattage:	2.2W
Visibility:	2NM
Angle:	135°
Lighting Color:	Bule
Material:	S.S.304



lighting effect



### SFNL041-W-02

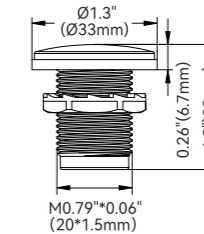
Voltage:	12V
Wattage:	1W
Visibility:	3NM
Angle:	135°
Color:	White

## LED Livewell Light

LED Livewell Light will illuminate your livewell and small utility area. Can be used above or below water level with through-wall mounting. IP68 waterproof, Completely sealed, power saving LED Livewell / Baitwell lamps are designed for installation into live bait tanks.

### SFCL1-WB-05

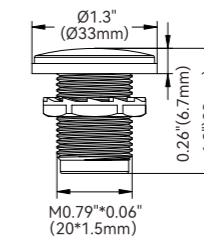
Voltage	12VDC
Wattage:	0.2W
Power:	1 × 0.2W
Installation Method:	Flush mount
Color Temperature:	Cool White(5500-6300K)
Material	PC



lighting effect

### SFCL1-BB-05

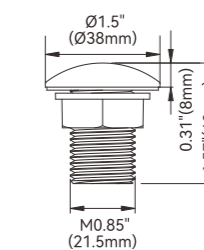
Voltage	12VDC
Wattage:	0.2W
Power:	1 × 0.2W
Installation Method:	Flush mount
Color Temperature:	Blue
Material	PC



lighting effect

### SFCL1-WB-06

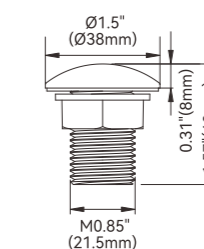
Voltage	12VDC
Wattage:	0.2W
Power:	1 × 0.2W
Installation Method:	Flush mount
Color Temperature:	Cool White(5500-6300K)
Material	PC



lighting effect

### SFCL1-BB-06

Voltage	12VDC
Wattage:	0.2W
Power:	1 × 0.2W
Installation Method:	Flush mount
Color Temperature:	Blue
Material	PC



lighting effect

## LED Underwater Lights


SEAFLO LED underwater Light is made of marine 316 stainless steel and high-strength engineering plastic, to withstand the marine environment. Vibration and Shock Resistant. Lights are designed with waterproof structure, Waterproof IP68. There are many styles and colors for you to choose from. High intensity light make your boat more visible, increasing safety for night activities.

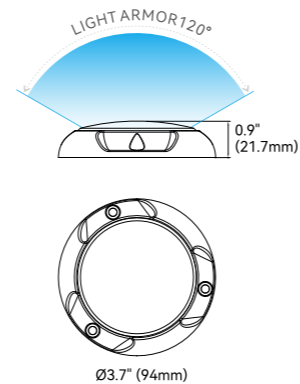
### FEATURES & BENEFITS

Intelligently engineered for strength and durability  
Resistant to corrosion, chemicals, and UV damage  
Extreme impact-resistant lens  
Reverse polarity protection




IP68 Waterproof  
Fully-sealed waterproof electronics  
Electro-polished 316 stainless steel cover  
Easy installation

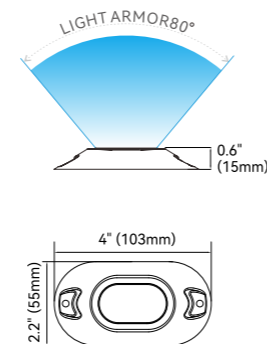
### LED Underwater Lights 01 Series

		
Model: SFUL1-WS-01	Model: SFUL1-BS-01	Model: SFUL1-GS-01
Voltage: 12V	Voltage: 12V	Voltage: 12V
Power: 24W	Power: 24W	Power: 24W
Color: White	Color: Blue	Color: Green






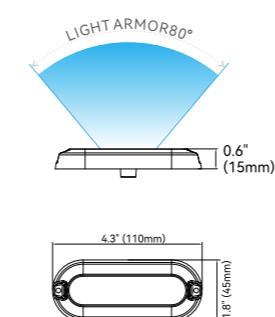
### LED Underwater Lights 02 Series

		
Model: SFUL1-WS-02	Model: SFUL1-BS-02	Model: SFUL1-GS-02
Voltage: 12V	Voltage: 12V	Voltage: 12V
Power: 6W	Power: 6W	Power: 6W
Color: White	Color: Blue	Color: Green



### LED Underwater Lights 03 Series

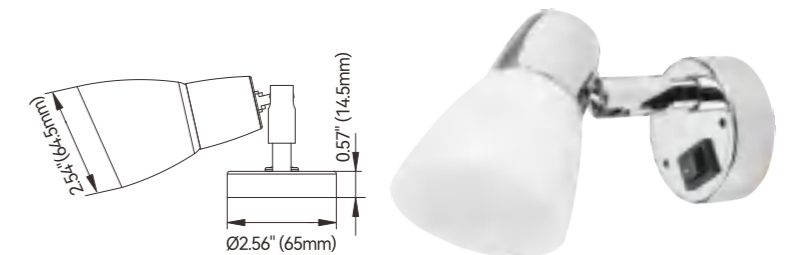
		
Model: SFUL1-WS-03	Model: SFUL1-BS-03	Model: SFUL1-GS-03
Voltage: 12V	Voltage: 12V	Voltage: 12V
Power: 12W	Power: 12W	Power: 12W
Color: White	Color: Blue	Color: Green



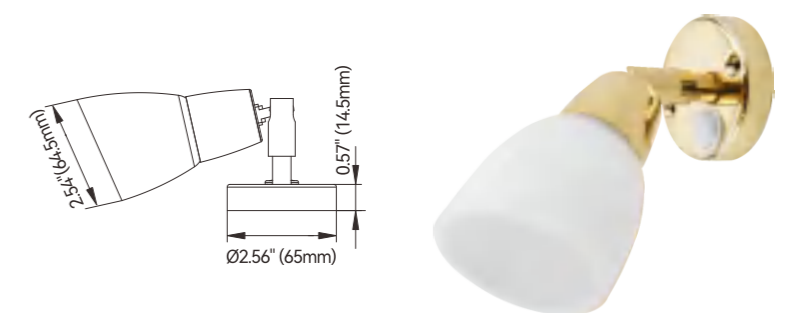
## LED Reading Light

SEAFLO LED reading lamp is an elegantly stylish wall mounted LED interior lamp perfect for any vessel. The stainless steel or brass lacquered body offers a premium look and feel, while the unique constant friction mechanism offers adjustable swing and pitch to achieve optimum light angles, that won't need constant adjustment. The reading lamp is available in warm (2900K-3200K) which will beautifully enhance the materials chosen for your vessel.

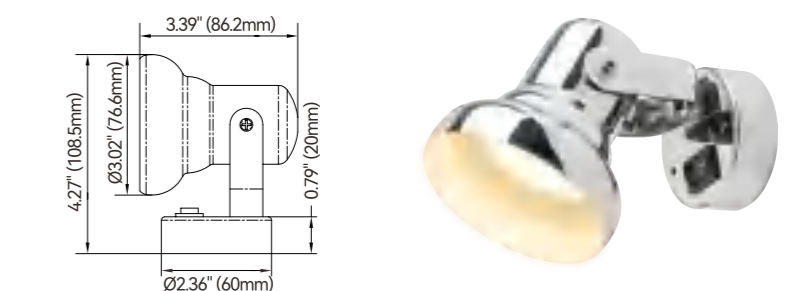
SFRL3-S-02	
Voltage:	8-30V
Wattage:	3.1W
Power:	1 × 3W
Installation Method:	Surface mount
Color Temperature:	Warm White
Material:	Stainless Steel



SFRL3-C-02	
Voltage:	8-30V
Wattage:	3.1W
Power:	1 × 3W
Installation Method:	Surface mount
Color Temperature:	Warm White
Material:	Brass Lacquered



SFRL3-S-01	
Voltage:	12V
Wattage:	3.1W
Installation Method:	Surface mount
Color Temperature:	Warm White (2900-3200K)
Material:	Stainless Steel



**Stainless Steel or Brass Lamp Body**  
Corrosion-resistant, no rust and no fading



**Lamp Beads**  
Lamp beads adopt high-power chips, high brightness, uniform light emission, and high color rendering index.



**Switch button**  
Base There is a switch button at the bottom, and the heat dissipation design is added, and the heat dissipation performance is better.

KNEEBOARD

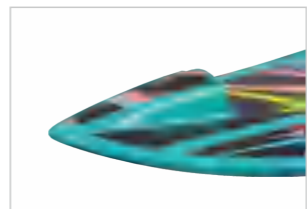


KNEEBOARD

**HydroThrill Kneeboard (KB02)**

**FEATURES & BENEFITS**

- Rotational molding process is durable, buoyant and easy to learn
- kneeling board and tail fin design make it better tracking and more stable during surfing
- EVA kneeling pad makes surfing experience better
- Adjustable elastic straps help stabilize surfing and gliding



Pointed integrated hook



Adjustable straps



EVA kneeling pad



Model	Length	Width	Depth	Weight	Material
KB02	51.3" (130.5cm)	20.4" (52cm)	4.7" (12cm)	5.2kg	HDPE+EVA

**HydroThrill Pro Freeboard (FB04)**

**FEATURES & BENEFITS**

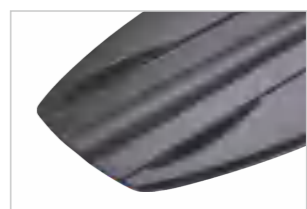
- Ultimate in Versatility - Ride it however you want.
- HDPE+EVA - Durable, buoyant, and easy to learn on.
- Cushion pattern design increases friction and The pointed square head and tail fin design makes it more stable during use- Enhance friction and stability.
- Handles - Perfect for beginners ,Armrests on both sides make it easy to hold and carry
- EVA Pad - Soft with plenty of traction.



Fixed handles on both sides



EVA pad



Tail fin design



Model	Length	Width	Depth	Weight	Material
FB04	56.1" (142.5cm)	25.3" (64.5cm)	5.3" (13.5cm)	6kg	HDPE+EVA

## Waterproof Storage Can

**NEW**

### FEATURES & BENEFITS

- Meets the needs of family members of all ages
- Waterproof sealing level up to IPX6 can withstand strong water jets (100Ltr/min)
- Versatile use as a portable single seat stool
- Rectangular barrel design large area of side wall increased buoyancy
- Optional carrying bag available for an additional fee



Multiple specifications  
Meet family needs



Good sealing  
Clean and safe



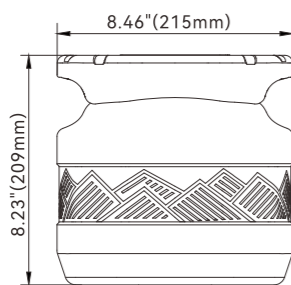
Rectangular chairs  
Easy to carry, seat



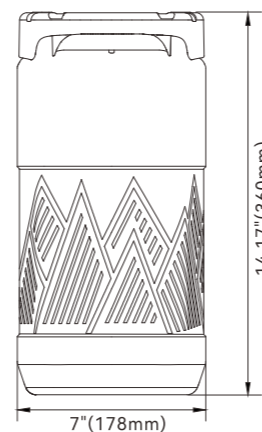
Both side with big handle  
Can be the handle when  
Float on water



5L



10L

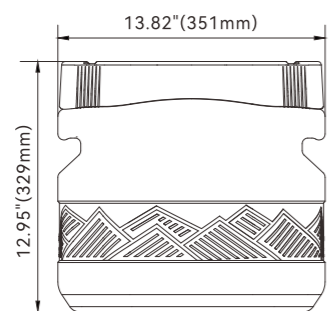


Model	Size(L*W*H)	Lid material	Barrel body material
WT01-05	8.46"x7"x8.23" (215x178x209mm)	PP	PE

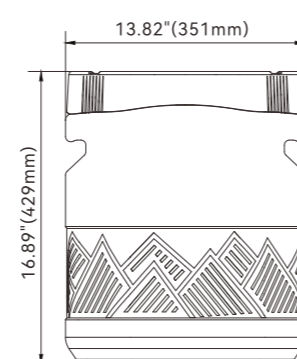
Model	Size(L*W*H)	Lid material	Barrel body material
WT01-10	8.46"x7"x14.17" (215x178x360mm)	PP	PE



20L

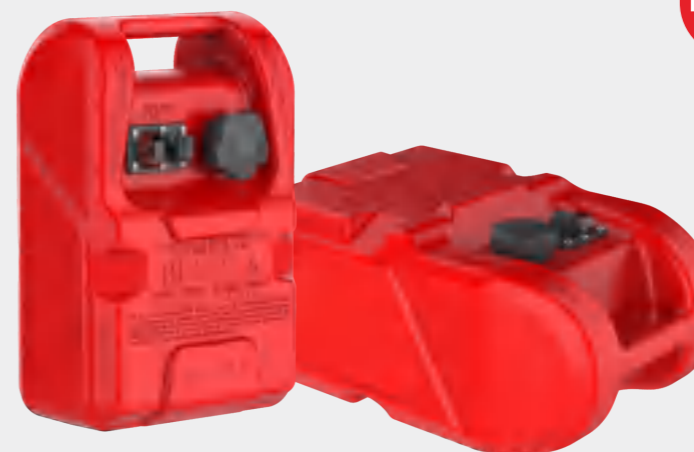


30L



Model	Size(L*W*H)	Lid material	Barrel body material
WT01-20	11.22"x13.82"x12.95" (285x351x329mm)	PP	PE

Model	Size(L*W*H)	Lid material	Barrel body material
WT01-30	11.22"x13.82"x16.89" (285x351x429mm)	PP	PE



**NEW**



## Portable Marine Boat Fuel Tank With Gauge

### DESCRIPTION

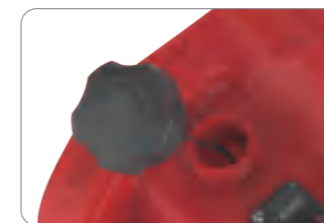
SEAFLO 3 Gallon/12 Liter, 6 Gallon/24 Liter Portable Marine Boat Fuel Tank with Gauge is constructed of 2 layers HDPE, which is strong & durable. Designed with ergonomic handle structure and built-in mechanical pointer make it easier use. It complies with 2010 EPA regulations and meets EPA CFR 40, California CCR 2468 and AS/NZS 2906:2001 standards.

### TYPICAL APPLICATIONS

SEAFLO Portable Fuel Tank is designed for use in all marine and non-marine small engine applications

### FEATURES & BENEFITS

- Automatic vacuum valve ensures proper fuel flow and eliminates the need for manual vent
- Low permeation tank virtually eliminates fuel evaporation and fuel loss.
- 1/4" NPT thread to fit standard tank fittings
- Ethanol and Alcohol compatible



Multifunctional fuel cap with lock protection and built in check valve to ensure the pressure balance for inside and outside of tank during use.



Universal nozzle structure to match most of connectors.



Built-in mechanical pointer to know the level of the liquid in the tank through the transparent observation structure.



Design for easily fixing the tank with strap. Allow stacked pack with multiple layers and prevents tank from moving.

### 3 Gallon



Model: SFGT-12-01  
Capacity: 3 Gallon/12 Liter  
Size: 16.93"x11.42"x7.3"  
Weight (DRY): 2.0KG  
Fuel: Gasoline  
Color: Red

### 6 Gallon



Model: SFGT-24-01  
Capacity: 6 Gallon/24 Liter  
Size: 19.69"x13.39"x9.49"  
Weight (DRY): 2.8KG  
Fuel: Gasoline  
Color: Red



## All Star Series - Auto Shut Off Fuel Cans / 5L, 10L, 20L

### DESCRIPTION

It is the latest version (the third generation) of SEAFLO all-star jerry can. With more user-friendly designs, SEAFLO all-star jerry can is more convenient and safer to use. It can hold gasoline, diesel, engine oil, alcohol, clean fuels, etc. The products are widely used in outdoor fuel equipment, such as automobiles, RVs, yachts, garden tools, agricultural equipment, ATVs; it also can be used in pharmaceutical factories, gas stations, energy factories, etc.

### FEATURES & BENEFITS

- Auto shut off nozzle is easy to operate and will be closed automatically to prevent from leakage
- Child proof lock for safer use
- Unique liquid level line for checking the volume at a glance
- Innovative U-shaped groove design, Body of can has better ability of shock resistance, which make it solid and durable
- Venting hole ensures faster and safer filling
- Humanized side handle for easier use
- The fixation problems during transportation is solved easily when U-shaped groove and band fit together.
- Widened bottom to prevent from falling; for easy and safe storage, transportation
- Slot design for easy stacking
- Meet Australian standard of AS/NZS 2906:2001
- Meet requirements of EPA & CARB certification



Model	Capacity	Size(L*W*H)	Weight (DRY)	Fuel	Color
SFGT-05-02	5 L	10.43"x5.43"x9.53" (265x138x242 mm)	0.8 kg	Gasoline	Red
SFGT-10-02	10 L	11.42"x7.24"x12.8" (290x184x325 mm)	1.3 kg		
SFGT-20-02	20 L	13.58"x8.82"x15.55" (345x224x395 mm)	1.8kg		



Model	Capacity	Size(L*W*H)	Weight (DRY)	Fuel	Color
SFDT-05-02	5 L	10.43"x5.43"x9.53" (265x138x242 mm)	0.8 kg	Diesel	Yellow
SFDT-10-02	10 L	11.42"x7.24"x12.8" (290x184x325 mm)	1.3 kg		
SFDT-20-02	20 L	13.58"x8.82"x15.55" (345x224x395 mm)	1.8kg		



Model	Capacity	Size(L*W*H)	Weight (DRY)	Fuel	Color
SF2T-05-02	5 L	10.43"x5.43"x9.53" (265x138x242 mm)	0.8 kg	Two-stroke	Green
SF2T-10-02	10 L	11.42"x7.24"x12.8" (290x184x325 mm)	1.3 kg		
SF2T-20-02	20 L	13.58"x8.82"x15.55" (345x224x395 mm)	1.8kg		

Consult factory for other available models

## Plastic 5L, 10L, 20L Auto Shut Off Fuel Cans

Fuel Container Gasoline, Diesel, Two-stroke engine oil EAP & AS/NZS 2906:2001 Standards

### DESCRIPTION

Seaflor 5, 10 & 20 Litre automatic shut off fuel cans which are designed with specially proportioned rear handle for balanced pouring that is self venting for safer & easier pouring.

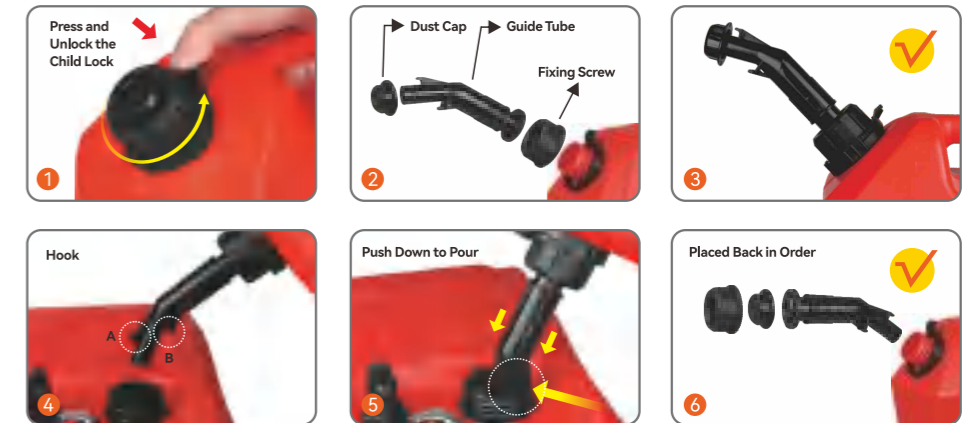
Features reduced emissions to protect the environment and meets EAP & AS/NZS 2906:2001 Standards.

### TYPICAL APPLICATIONS

Car, lawnmower, atv or snowblower and other essential equipment topped off with fuel

### FEATURES & BENEFITS

Complies to EPA & CARB Standards  
Spill Proof, Durable Vented Pouring Spout  
UV Stabilized High Grade Polyethylene  
Certified to Australian Standard AS/NZS 2906:2001



Model	Capacity	Size(L*W*H)	Weight (DRY)	Fuel	Color	Handle Type
SFGT-05-01	5 L	10.24"x5.12"x10.83" (260x130x275 mm)	0.8 kg	Gasoline	Red	Built-in
SFGT-10-01	10 L	11.42"x6.3"x13.62" (290x160x346 mm)	1.3 kg			
SFGT-20-01	20 L	13"x7.48"x18.74" (330x190x476 mm)	1.8kg			



Model	Capacity	Size(L*W*H)	Weight (DRY)	Fuel	Color	Handle Type
SFDT-05-01	5 L	10.24"x5.12"x10.83" (260x130x275 mm)	0.8 kg	Diesel	Yellow	Built-in
SFDT-10-01	10 L	11.42"x6.3"x13.62" (290x160x346 mm)	1.3 kg			
SFDT-20-01	20 L	13"x7.48"x18.74" (330x190x476 mm)	1.8kg			



Model	Capacity	Size(L*W*H)	Weight (DRY)	Fuel	Color	Handle Type
SF2T-05-01	5 L	10.24"x5.12"x10.83" (260x130x275 mm)	0.8 kg	Two-stroke Gasoline Engine Oil	Green	Built-in
SF2T-10-01	10 L	11.42"x6.3"x13.62" (290x160x346 mm)	1.3 kg			
SF2T-20-01	20 L	13"x7.48"x18.74" (330x190x476 mm)	1.8kg			

Consult factory for other available models

## Fuel Transfer Pump

### FEATURES & BENEFITS

- Free you from lifting heavy fuel cans
- Fast transfer rate up to 3.2GPM
- The flow rate can be controlled by manual control nozzle
- Overload protection to prevent from safety hazard
- Portable and light weight for easy store and convenient use
- Work perfectly with SEAFLO fuel cans
- Transfers Gasoline, Diesel, Antifreeze, Light Oil, Chemical insecticides, Detergent, etc



Simple Switch  
Switch on to start pump

Simple Hook  
Hook nozzle when not use



Color Box

### Standard Tank Configurations

Model	Battery	Voltage	Max Flow Rate	Max Head	Duration	Tubing length	N.W / G.W
SFFTP5-025-01	2pcs of D battery (N/A)	3V	2.5GPM	4.92' / 1.5m	1 H	in: 506 mm out: 1050 mm	387 / 610 g
SFFTP5-032-01	Rechargeable lithium battery	3.7V	3.2GPM	9.84' / 3.0m	2 H	in: 506 mm out: 1050 mm	513 / 760 g
SFFTP1-032-01	No, with power cable	12V	3.2GPM	9.84' / 3.0m	Continuous	in: 506 mm out: 1050 mm	393 / 710 g

## Battery Powered Fuel Transfer Pump

### FEATURES & BENEFITS

- LED is on when pump turns on, and off when pump turns off
- Explosion-proof motor and overload protection
- Weather-resistant and corrosion-resistant hose
- Auto-stop sensor to stop when full
- Simply press to start and stop



With level sensing  
function, automatic stop  
when filling up

Reminder of the operating  
status of the oil pump with  
indicator light



Color Box



FTP21 48.4 mm  
FTP22 59.5 mm  
FTP23 65.2 mm

### Standard Pump Configurations

Model	Battery	Max Flow Rate	Max Head	Tubing length
SFFTP5-024-02	AA (N/A)	2.4GPM	4.92' / 1.5m	in: 506 mm out: 1050 mm
SFFTP5-032-02	Lithium	3.2GPM	9.84' / 3.0m	in: 506 mm out: 1050 mm

## Fuel Transfer Pump

### FEATURES & BENEFITS

- Free you from lifting heavy fuel cans
- Fast transfer rate up to 2.4GPM
- The flow rate can be controlled by manual control nozzle
- Overload protection to prevent from safety hazard
- Portable and light weight for easy store and convenient use
- Work perfectly with SEAFLO fuel cans
- Transfers Gasoline, Diesel, Antifreeze, Light Oil, Chemical insecticides, Detergent, etc



Simple Switch  
Switch on to start pump

Simple Hook  
Hook nozzle when not use



### Standard Tank Configurations

Model	Battery	Voltage	Max Flow Rate	Max Head	Duration	Tubing length	N.W / G.W
SFFTP5-022-01	2pcs of D battery (N/A)	3V	2.2GPH	4.92' / 1.5m	40min	in: 490 mm out: 1050 mm	380 / 600 g
SFFTP5-024-01	Rechargeable lithium battery	3.7V	2.4GPH	5.91' / 1.8m	1.5H	in: 490 mm out: 1050 mm	500 / 750 g
SFFTP1-024-01	No, with power cable	12V	2.4GPH	5.91' / 1.8m	Continuous	in: 490 mm out: 1050 mm	380 / 700 g

## Battery Powered Fuel Transfer Pump

### FEATURES & BENEFITS

- LED is on when pump turns on, and off when pump turns off
- Explosion-proof motor and overload protection
- Weather-resistant and corrosion-resistant hose
- Auto-stop sensor to stop when full
- Simply press to start and stop



With level sensing  
function, automatic stop  
when filling up

Reminder of the operating  
status of the oil pump with  
indicator light



FTP21 48.4 mm  
FTP22 59.5 mm  
FTP23 65.2 mm  
FTP24 41.4 mm

### Standard Pump Configurations

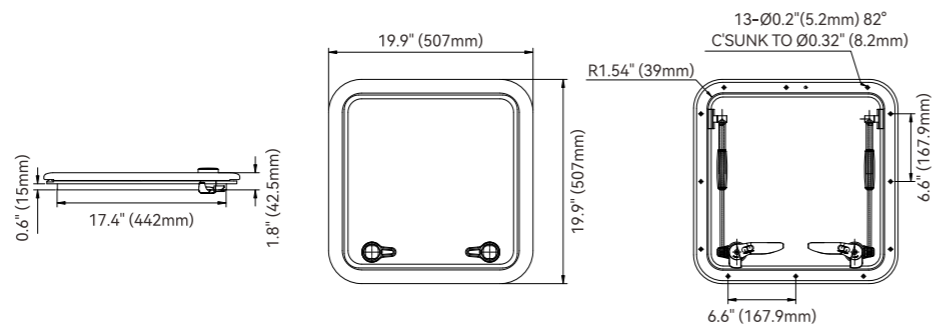
Model	Battery	Max Flow Rate	Max Head	Tubing length
SFFTP5-022-02	AA (N/A)	2.2GPM	4.92' / 1.5m	in: 480 mm out: 1050 mm
SFFTP5-025-02	Lithium	2.5GPM	5.91' / 1.8m	in: 480 mm out: 1050 mm

### Square Deck Hatch

Frame material : Aluminium Alloy  
Surface Treatment : Anodized  
Glass Material : Acrylic  
Handle Material : Nylon



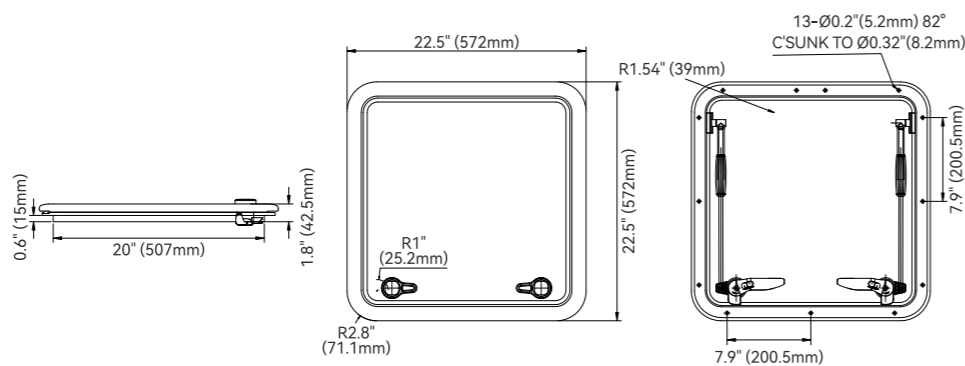
Custom sizes are available



Model	Frame Size (a)	Cut-out Size (b)	Height (c)	Deck Thickness (d)	Colour
SFDH2-507-01	19.9" (507mm)	17.4" (442mm)	1.8" (42.5mm)	0.6" (15mm)	Black



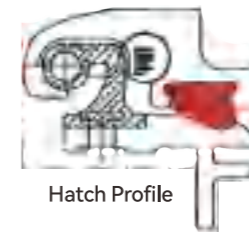
Custom sizes are available



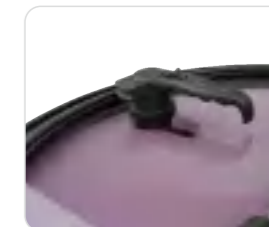
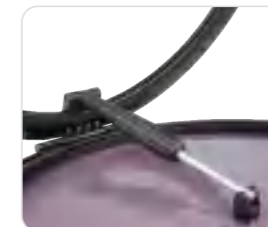
Model	Frame Size (a)	Cut-out Size (b)	Height (c)	Deck Thickness (d)	Colour
SFDH2-572-01	22.5" (572mm)	20" (507mm)	1.8" (42.5mm)	0.6" (15mm)	Black

### Round Deck Hatch

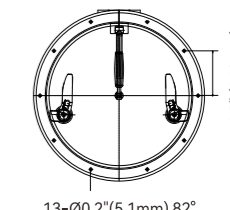
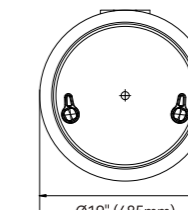
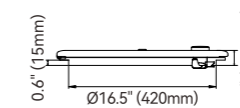
Frame material : Aluminium Alloy  
Surface Treatment : Anodized  
Glass Material : Acrylic  
Handle Material : Nylon



Hatch Profile



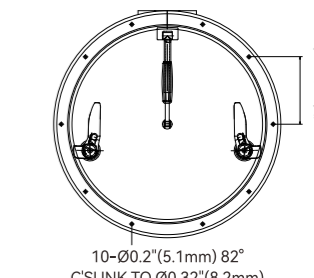
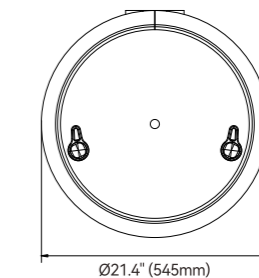
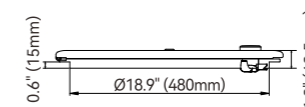
Custom sizes are available



Model	Frame Size (a)	Cut-out Size (b)	Height (c)	Deck Thickness (d)	Colour
SFDH2-485-02	Ø19" (485mm)	Ø16.5" (420mm)	1.8" (42.5mm)	0.6" (15mm)	Black



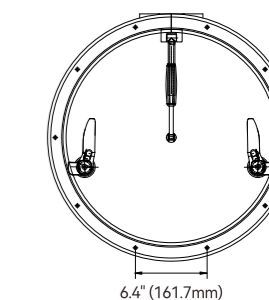
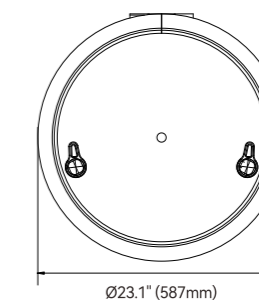
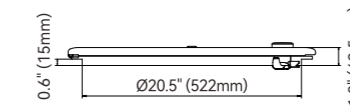
Custom sizes are available



Model	Frame Size (a)	Cut-out Size (b)	Height (c)	Deck Thickness (d)	Colour
SFDH2-545-02	Ø21.4" (545mm)	Ø18.9" (480mm)	1.8" (42.5mm)	0.6" (15mm)	Black



Custom sizes are available



Model	Frame Size (a)	Cut-out Size (b)	Height (c)	Deck Thickness (d)	Colour
SFDH2-587-02	Ø23.1" (587mm)	Ø20.5" (522mm)	1.8" (42.5mm)	0.6" (15mm)	Black

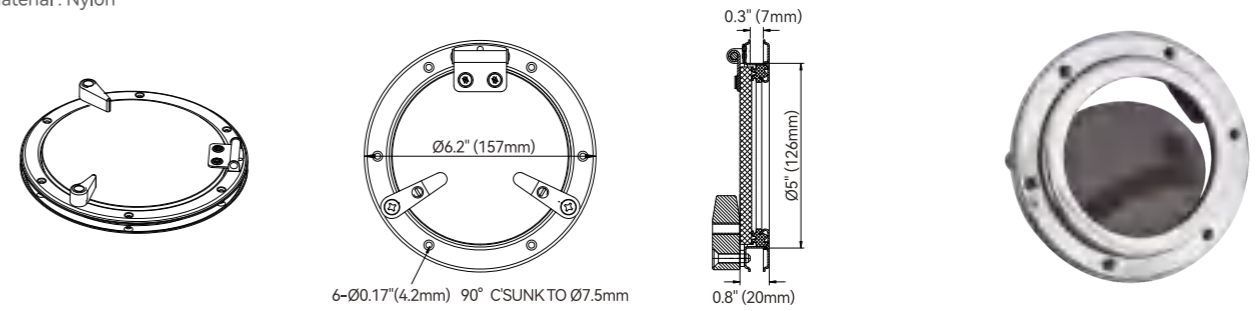
### Round Portlight

Frame material : AISI316  
Surface Treatment :Mirror polishing  
Glass Material : Acrylic  
Color : Smoke  
Handle Material : Nylon

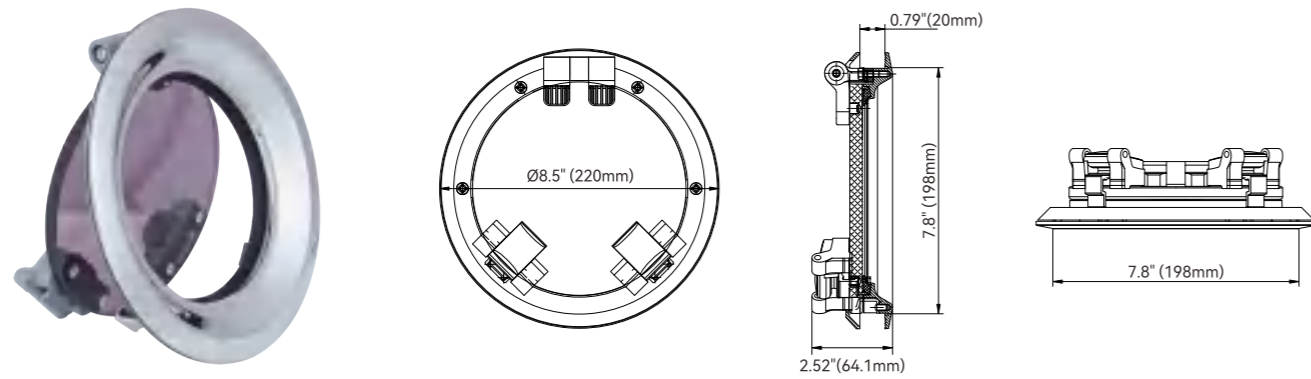


### Round Portlight

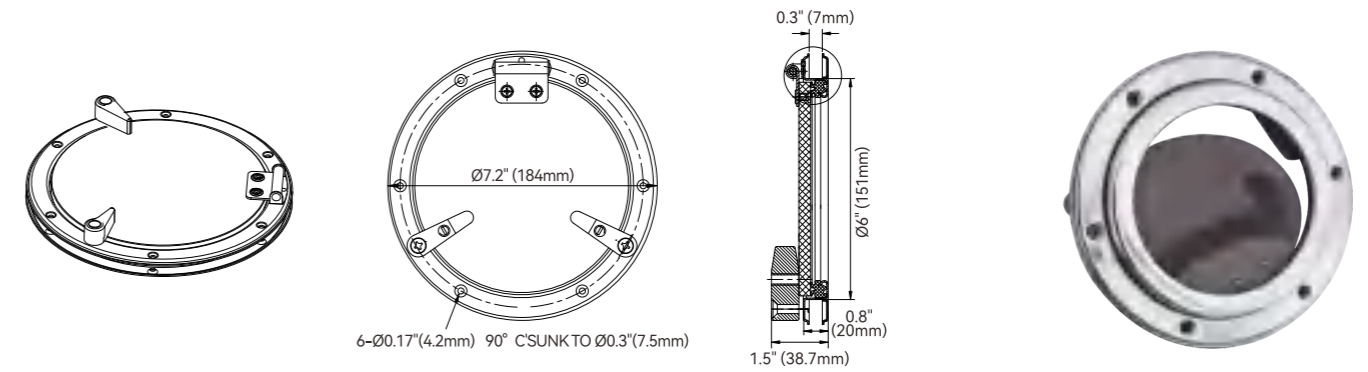
Frame material : #316 Stainless Steel  
Surface Treatment :Mirror Polished  
Glass Material : Acrylic  
Color : Smoke  
Handle Material : Nylon



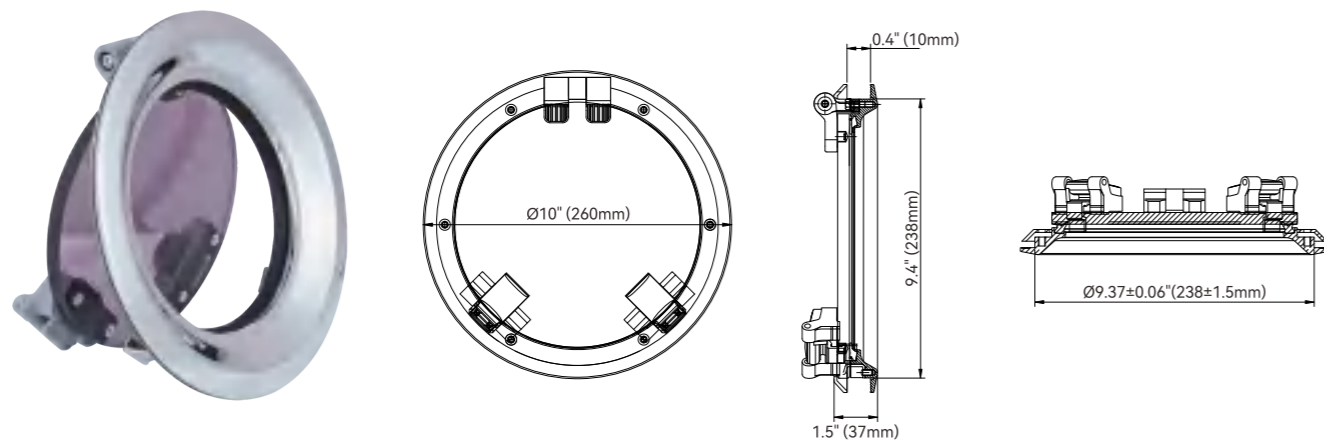
Model	Frame Size (a)	Cut-out Size (b)	Height (c)	Deck Thickness (d)
SFP3-157-02	Ø6.2" (157mm)	Ø5" (126mm)	0.8" (20mm)	0.3" (7mm)



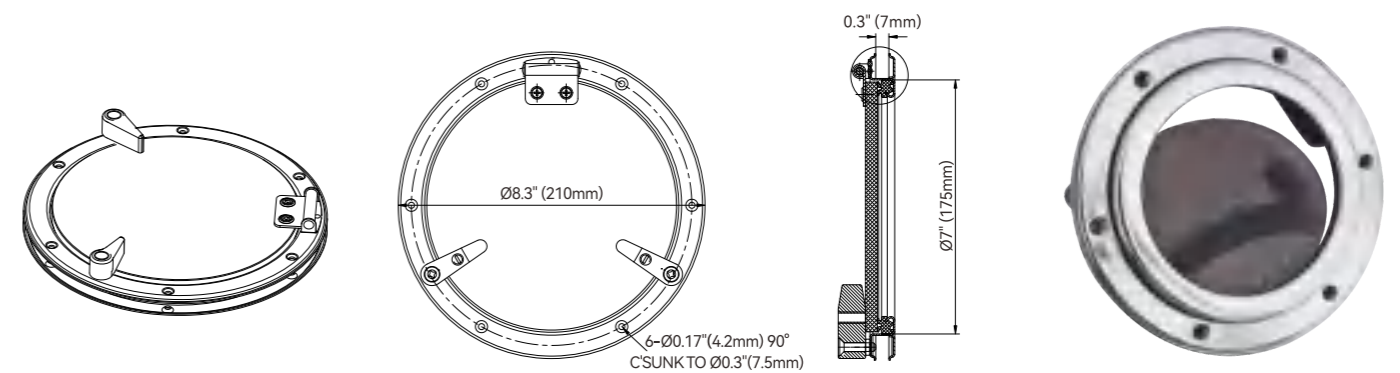
Model	Frame Size (a)	Cut-out Size (b)	Height (c)	Deck Thickness (d)
SFP3-220-01	8.5" (220mm)	7.8" (198mm)	1.5" (37mm)	0.4" (10mm)



Model	Frame Size (a)	Cut-out Size (b)	Height (c)	Deck Thickness (d)
SFP3-184-02	Ø7.2" (184mm)	Ø6" (151mm)	0.8" (20mm)	0.3" (7mm)



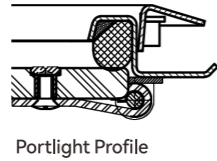
Model	Frame Size (a)	Cut-out Size (b)	Height (c)	Deck Thickness (d)
SFP3-260-01	10" (260mm)	9.4" (238mm)	1.5" (37mm)	0.4" (10mm)



Model	Frame Size (a)	Cut-out Size (b)	Height (c)	Deck Thickness (d)
SFP3-210-02	Ø8.3" (210mm)	Ø7" (175mm)	0.8" (20mm)	0.3" (7mm)

### Eys Shape Portlight

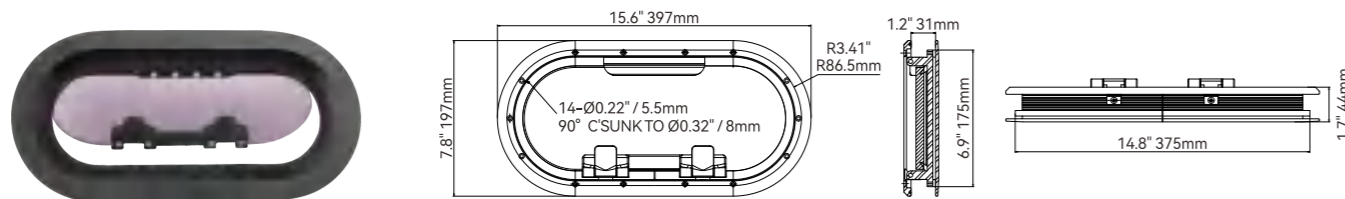
Frame material : #316 Stainless Steel  
Surface Treatment : Mirror Polished  
Glass Material : Acrylic  
Color : Smoke  
Handle Material : Nylon



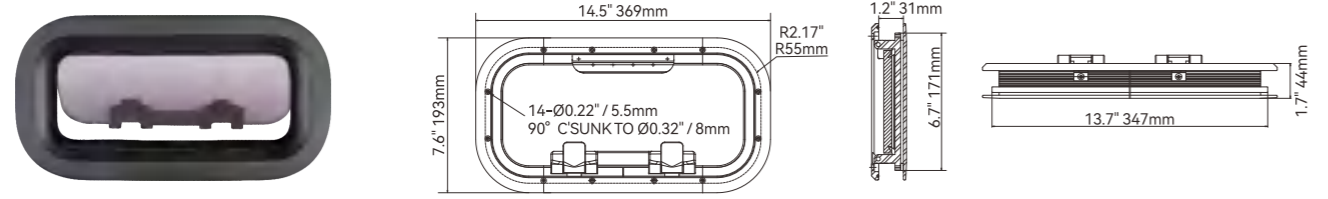
Model	Frame Size (a)	Cut-out Size (b)	Height (c)	Deck Thickness (d)
SFP3-460-03	18"x8" (460x205mm)	16.3"x6" (414x156mm)	1.6" (40mm)	0.5" (12mm)

### Standard Portlight

Frame material : Aluminium Alloy  
Surface Treatment : Anodized  
Glass Material : Acrylic  
Handle Material : Nylon



Model	Frame Size L*W (a)	Cut-out Size (b)	Height (c)	Deck Thickness (d)	Colour	Geometry
SFP2-397-04	15.6"x7.8" (397x197mm)	14.8"x6.9" (375x175mm)	1.7" (44mm)	1.2" (31mm)	Black	Oval



Model	Frame Size L*W (a)	Cut-out Size (b)	Height (c)	Deck Thickness (d)	Colour	Geometry
SFP2-369-05	14.5"x7.6" (369*193mm)	13.7"x6.7" (347x171mm)	1.7" (44mm)	1.2" (31mm)	Black	Rectangular

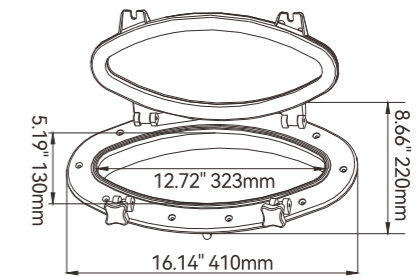
### Portholes

4 mm thickness tempered glass.  
ABS Anti-aging, Anti-ultraviolet.  
Casted and polished 316 stainless steel accessories.  
Easy click-in construction.  
Corrosion free synthetic fittings and durable rubber seals.

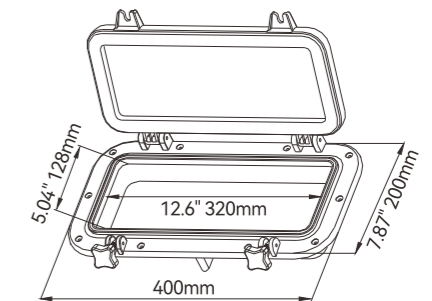


Model	Frame Size	Cut-out Size	Color
SFPP1-01	8.46" (215mm)	5.79" (147mm)	white
SFPP2-01	8.46" (215mm)	5.79" (147mm)	black

Model	Frame Size	Cut-out Size	Color
SFPP1-02	10.43" (265mm)	7.76" (197mm)	white
SFPP2-02	10.43" (265mm)	7.76" (197mm)	black



Model	Size	Shape	Color
SFPP1-03	16.14"x8.66" (410x220mm)	Oval shape porthole	white
SFPP2-03	16.14"x8.66" / (410x220mm)	Oval shape porthole	black



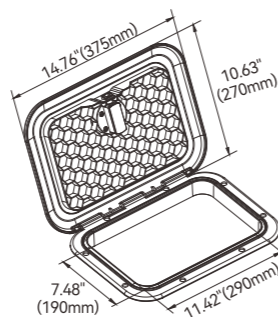
Model	Size	Shape	Color
SFPP1-04	15.75"x7.87" (400x200mm)	Rectangular shape porthole	white
SFPP2-04	15.75"x7.87" (400x200mm)	Rectangular shape porthole	black

## Deck Hatches

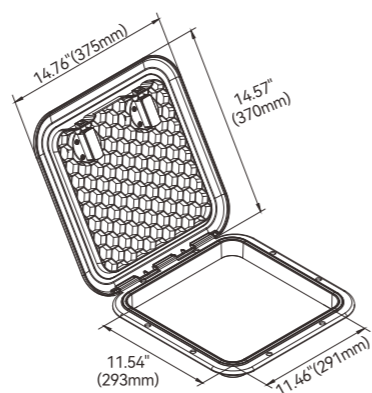
**NEW**

### FEATURES & BENEFITS

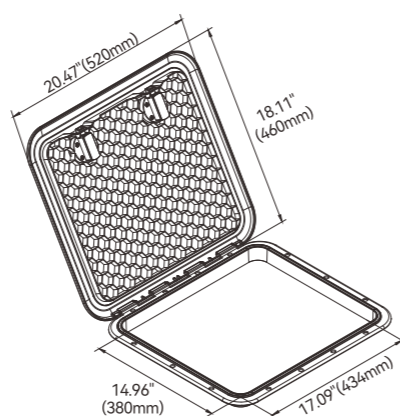
- PP material anti-aging, anti-ultraviolet.
- Upgraded handle for easy access.
- 180° opening hatches with lock and key.
- Reinforced lid with non-skid surface and completely covers the mounting flange.
- Rubber seal ensures weatherproofing when mounted on vertical surfaces.



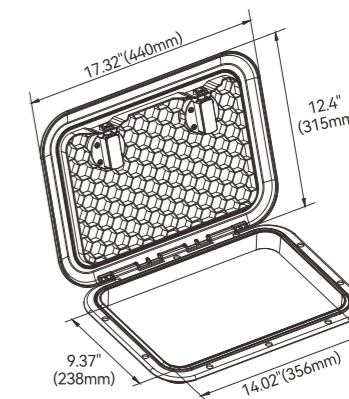
Model	H	L	h	L1
SFRE1-270-375-02	10.63"(270mm)	14.76"(375mm)	7.48"(190mm)	11.42"(290mm)



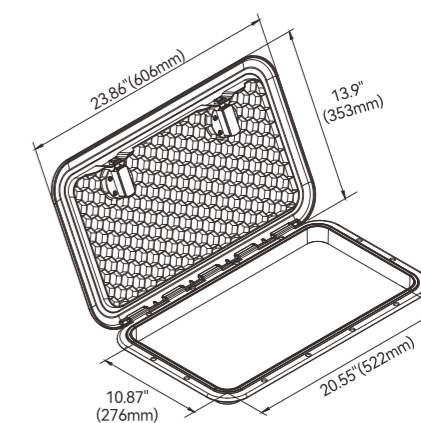
Model	H	L	h1	L1
SFRE1-370-375-02	14.57"(370mm)	14.76"(375mm)	11.54"(293mm)	11.46"(291mm)



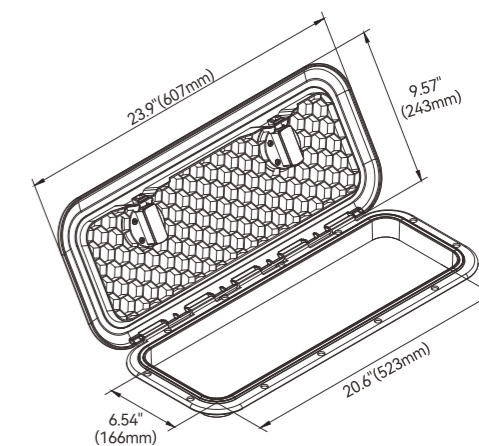
Model	H	L	h1	L1
SFRE1-460-510-02	18.11"(460mm)	20.47"(520mm)	14.96"(380mm)	17.09"(434mm)



Model	H	L	h1	L1
SFRE1-315-440-02	12.4"(315mm)	17.32"(440mm)	9.37"(238mm)	14.02"(356mm)



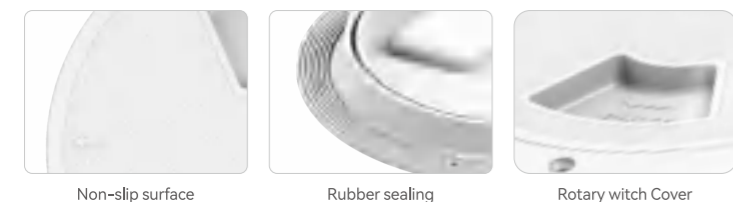
Model	H	L	h1	L1
SFRE1-353-606-02	13.9"(353mm)	23.86"(606mm)	10.87"(276mm)	20.55"(522mm)



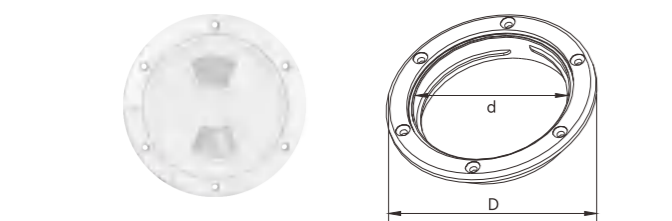
Model	H	L	h1	L1
SFRE1-243-607-02	9.57"(243mm)	23.9"(607mm)	6.54"(166mm)	20.6"(523mm)

## Round Deck Hatches

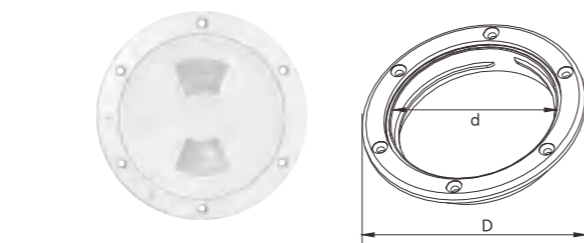
PP material Anti-corrosive; Anti-aging; Ultraviolet resistant.  
Rotary with, simple Installation and Usage.  
Heavy Duty Lid with Non-Slip Surface.  
4/6/8 inch boat deck plate can be installed vertically and horizontally.



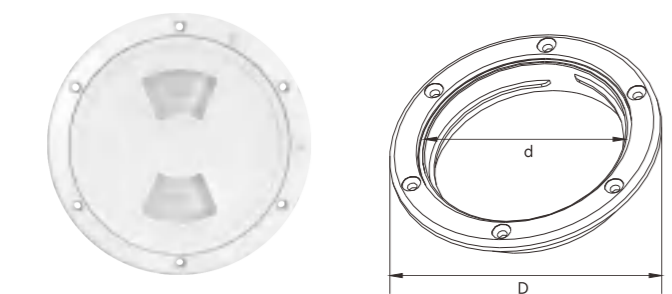
NEW



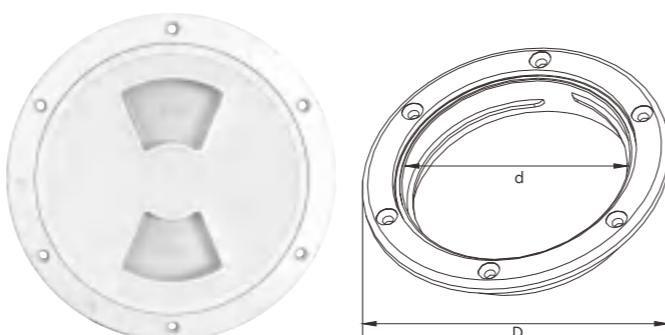
Model	Size	d	D	Color
SFRH1-004-02	4"(101.6mm)	4"(101.6mm)	5.67"(144mm)	white



Model	Size	d	D	Color
SFRH1-005-02	5"(127mm)	5"(127mm)	6.77"(172mm)	white



Model	Size	d	D	Color
SFRH1-006-02	6"(52.4mm)	6"(52.4mm)	8.07"(205mm)	white



Model	Size	d	D	Color
SFRH1-008-02	8"(203.2mm)	8"(203.2mm)	10.04"(255mm)	white

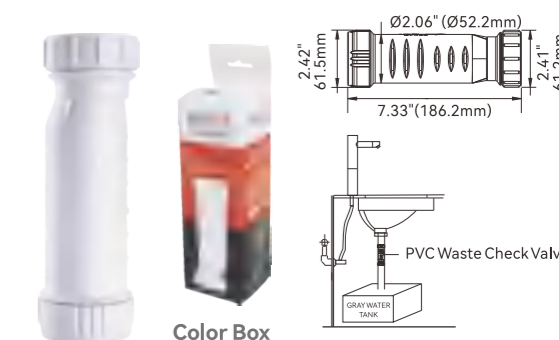
## Pvc Waste Valve

SEAFLO PVC Waste Valve is used on sewer line in kitchen, bath room, washing sink to prevent bad smell come into internal of RV.

### FEATURES & BENEFITS

- PVC size is 2"
- Vertical mounting position
- EPDM seal for resistance to water and oils
- PVC construction for strength and resistance to corrosion and mild chemicals

Model	Color
SFWV1-01	White
SFWV2-01	Black



## Fold-up Adjustable Drink Holder

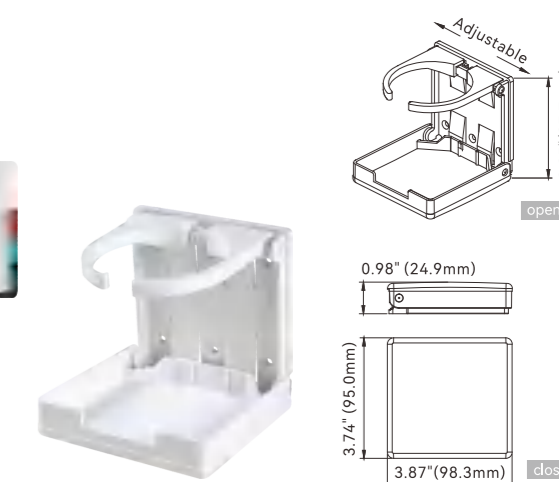
SEAFLO Fold-Up Adjustable Drink Holder for RVs, cars, trucks, boats, cans etc, help prevent spills and mounts quickly and easily. This holder features arms that easily adjust to hold almost any size bottle, can or mug. Folds up for compact storage. It easily mounts with tapes or screws.

### FEATURES & BENEFITS

- Easily adjust to hold almost any size bottle, can or mug
- Mounts with tapes or screws
- Folds up for compact storage



Model	Size	Color
SFTS1-01	3.87"x3.74"x3.85"(98.3x95x97.7mm)	White
SFTS2-01	3.87"x3.74"x3.85"(98.3x95x97.7mm)	Black



## Round Louver Air Vent

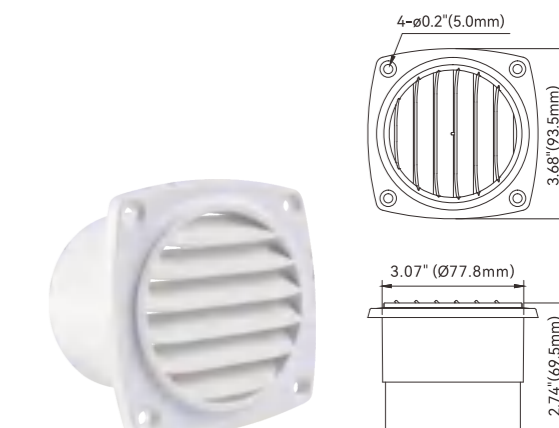
SEAFLO Round Louvre air vent is made of high quality ABS, Diameter 77.8 mm, ducting height 69.5 mm, Wall mounted or ceiling mounted, perfect for RV, boat or room exhaust and ventilation use.

### FEATURES & BENEFITS

- 69.5 mm Ducting Fitting Size
- High-Quality ABS Plastic
- Simple To Fit
- Designed To Cover Wall Or Ceiling Openings And Ducting Vents



Model	Size	Color
SFAV1-01	3.68"x3.68"x2.74"(93.5x93.5x69.5 mm)	White
SFAV2-01	3.68"x3.68"x2.74"(93.5x93.5x69.5 mm)	Black



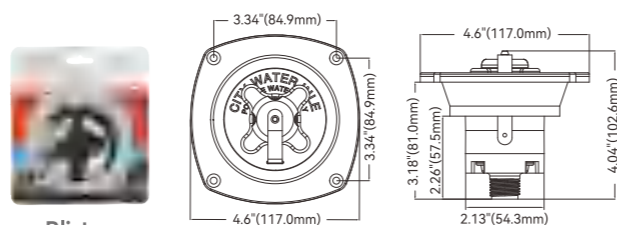
## Water Inlet

SEAFLO Water Inlet is used for fresh water system and it is constructed with UV stabilized plastic. There are a check valve inside and different model have different features.

### Water Inlet Pressure Reducing Valve NEW

#### FEATURES & BENEFITS

- Continuous protection from high pressure surges
- Constructed With Uv Stabilized Plastic
- Quick, permanent wall mount installation
- Fits standard hose fittings
- Built In Check Valve
- Outlet Pressure: 50psi
- Inlet Pressure: 125psi Max



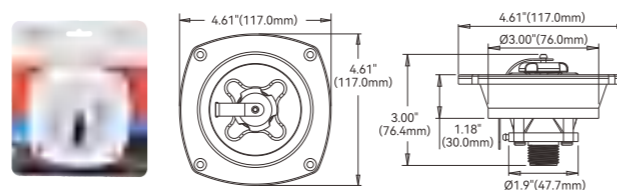
Blister

Model	Description	Color
SFWI1-04	Water Inlet	White
SFWI2-04	Water Inlet	Black
SFWI3-04	Water Inlet	Chrome

## Water Inlet-01

#### FEATURES & BENEFITS

- Constructed with UV stabilized plastic
- Fits standard hose fittings
- Built in check valve
- Brass pipe threads
- Quick, permanent wall mount installation



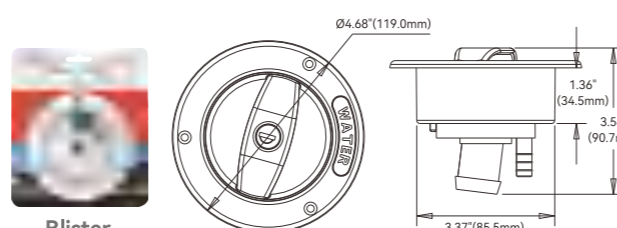
Blister

Model	Description	Color
SFWI1-01	Water Inlet	White
SFWI2-01	Water Inlet	Black

## Water Inlet With Lock-02

#### FEATURES & BENEFITS

- With 2 Keys & Lock
- 1/2" air vent for a fast fill
- Design for filling the water holding tank
- Constructed with UV stabilized Plastic



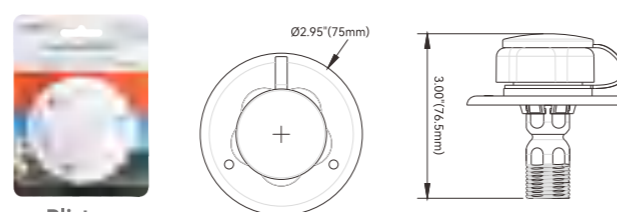
Blister

Model	Description	Color
SFWI1-02	Water Inlet With Lock	White
SFWI2-02	Water Inlet With Lock	Black

## Plastic Water Inlet-03

#### FEATURES & BENEFITS

- Constructed with plastic
- Can fit into SEAFLO water inlet hatch
- 1/2" BSP and G1/2 thread
- Built in check valve



Blister

Model	Description	Color
SFWI1-03	Plastic Water Inlet	White
SFWI2-03	Plastic Water Inlet	Black

## Dent Vent

SEAFLO Dent Vent is use for a quick and easy way to repair the minor damage of boat body and keep the original look; which are made of UV stabilized plastic and combine multiple vents to cover larger damage areas.

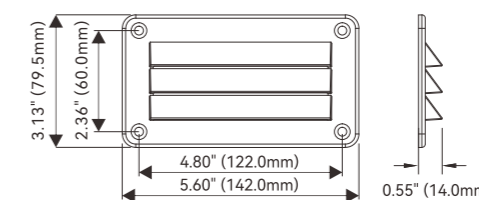
#### FEATURES & BENEFITS

- Keep the original look
- Made of UV resistant ABS
- There are 3 sizes available
- A quick and easy way to repair the minor damage of boat body
- Save expensive maintenance costs
- Combine multiple vents to cover larger damage areas

Damage of boat body



Repair damage and keep original look

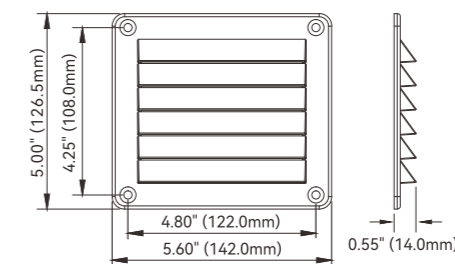


Blister



Industry Carton

Model	L	H	Color
SFDV1-140-79-01	5.60" (142.0 mm)	3.13" (79.5 mm)	White
SFDV2-140-79-01	5.60" (142.0 mm)	3.13" (79.5 mm)	Black

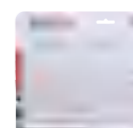
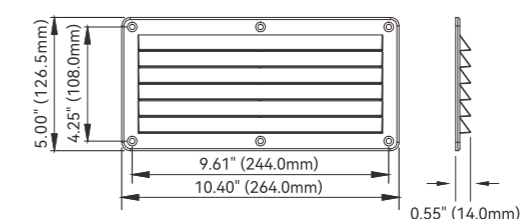


Blister



Industry Carton

Model	L	H	Color
SFDV1-140-125-02	5.60" (142.0 mm)	5.00" (126.5 mm)	White
SFDV2-140-125-02	5.60" (142.0 mm)	5.00" (126.5 mm)	Black



Blister



Industry Carton

Model	L	H	Color
SFDV1-260-125-03	10.40" (264.0 mm)	5.00" (126.5 mm)	White
SFDV2-260-125-03	10.40" (264.0 mm)	5.00" (126.5 mm)	Black



## Thru Hull Fittings

Made from premium materials, molded from nylon and fiberglass, Sturdy construction, Easy to install. The thru hull fittings is suitable for some corners and narrow areas. Widely used in ships, yachts, boats to meet your daily needs.

### Plastic Thru-Hulls



Model	Size	A (mm)	B (mm)	C (mm)	D (")	E (mm)	d1 (mm)	Color
SFTH1-0625-01	5/8"	16	48	85	1"	52	24.5	White
SFTH2-0625-01	5/8"	16	48	85	1"	52	24.5	Black
SFTH1-0750-01	3/4"	19.4	48	85	1"	52	24.5	White
SFTH2-0750-01	3/4"	19.4	48	85	1"	52	24.5	Black
SFTH1-1000-01	1"	25.8	48	85	1"	52	24.5	White
SFTH2-1000-01	1"	25.8	48	85	1"	52	24.5	Black
SFTH1-1125-01	1-1/8"	29	48	85	1"	52	24.5	White
SFTH2-1125-01	1-1/8"	29	48	85	1"	52	24.5	Black
SFTH1-1250-01	1-1/4"	32.2	60	95	1-1/4"	55	32	White
SFTH2-1250-01	1-1/4"	32.2	60	95	1-1/4"	55	32	Black
SFTH1-1500-01	1-1/2"	38.5	60	95	1-1/4"	55	32	White
SFTH2-1500-01	1-1/2"	38.5	60	95	1-1/4"	55	32	Black
SFTH1-2000-01	2"	51.3	82.5	130	2"	80	49	White
SFTH2-2000-01	2"	51.3	82.5	130	2"	80	49	Black

### Stainless Steel Capped Composite Thru-Hulls



Model	Size	A (mm)	B (mm)	C (mm)	D (")	E (mm)	d1 (mm)	Color
SFTH3-0625-01	5/8"	16	48	85	1"	52	24.5	Black
SFTH3-0750-01	3/4"	19.4	48	85	1"	52	24.5	Black
SFTH3-1000-01	1"	25.8	48	85	1"	52	24.5	Black
SFTH3-1125-01	1-1/8"	29	48	85	1"	52	24.5	Black
SFTH3-1250-01	1-1/4"	32.2	60	95	1-1/4"	55	32	Black
SFTH3-1500-01	1-1/2"	38.5	60	95	1-1/4"	55	32	Black
SFTH3-2000-01	2"	51.3	82.5	130	2"	80	49	Black

## 90° Thru Hull Fittings

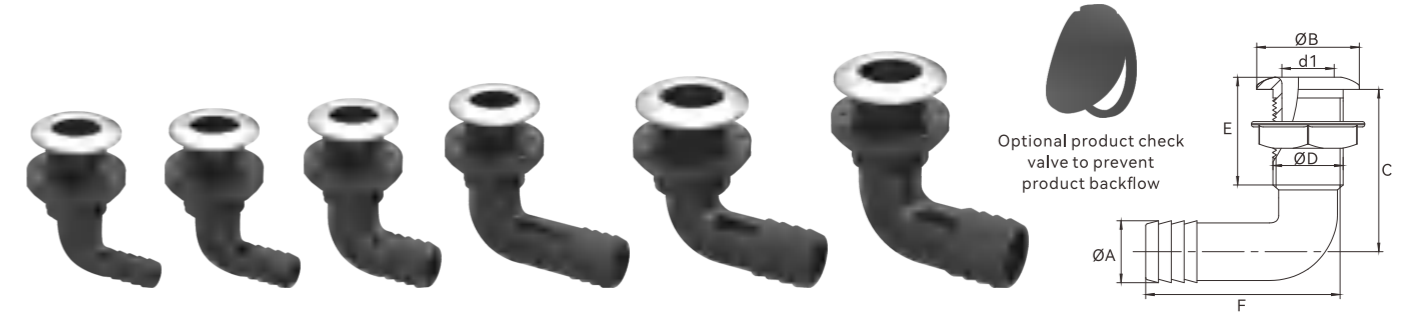
Made from premium materials, molded from nylon and fiberglass, Sturdy construction, Easy to install. The 90° thru hull fittings is suitable for some corners and narrow areas. Widely used in ships, yachts, boats to meet your daily needs.

### Plastic Thru-Hulls



Model	Size	A (mm)	B (mm)	C (mm)	D (")	E (mm)	F (mm)	d1 (mm)	Color
SFTH1-0625-02	5/8"	16	48	73	1"	52	64	24.5	White
SFTH2-0625-02	5/8"	16	48	73	1"	52	64	24.5	Black
SFTH1-0750-02	3/4"	19.4	48	73	1"	52	64	24.5	White
SFTH2-0750-02	3/4"	19.4	48	73	1"	52	64	24.5	Black
SFTH1-1000-02	1"	25.8	48	76	1"	52	64	24.5	White
SFTH2-1000-02	1"	25.8	48	76	1"	52	64	24.5	Black
SFTH1-1125-02	1-1/8"	29	48	76	1"	52	91	24.5	White
SFTH2-1125-02	1-1/8"	29	48	76	1"	52	91	24.5	Black
SFTH1-1250-02	1-1/4"	32.2	60	76	1-1/4"	55	95	32	White
SFTH2-1250-02	1-1/4"	32.2	60	76	1-1/4"	55	95	32	Black
SFTH1-1500-02	1-1/2"	38.5	60	88	1-1/4"	55	96	32	White
SFTH2-1500-02	1-1/2"	38.5	60	88	1-1/4"	55	96	32	Black

### Stainless Steel Capped Composite Thru-Hulls

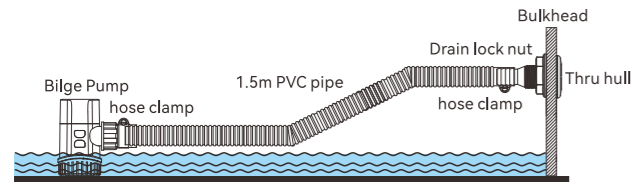


Model	Size	A (mm)	B (mm)	C (mm)	D (")	E (mm)	F (mm)	d1 (mm)	Color
SFTH3-0625-02	5/8"	16	48	73	1"	52	64	24.5	Black
SFTH3-0750-02	3/4"	19.4	48	73	1"	52	64	24.5	Black
SFTH3-1000-02	1"	25.8	48	76	1"	52	64	24.5	Black
SFTH3-1125-02	1" 1/8"	29	48	76	1"	52	91	24.5	Black
SFTH3-1250-02	1" 1/4"	32.2	60	76	1" 1/4"	55	95	32	Black
SFTH3-1500-02	1" 1/2"	38.5	60	88	1" 1/4"	55	96	32	Black

## Bilge Pump Installation Kit

Used together with SEAFLO bilge pump

### APPLICATION



### Standard Pump Configurations

Model	Outlet Dia	Current
SFBPK-0750-01	3/4"(19mm) Outlet	4.5' (1.5m) x 3/4" (19mm) Flexible PVC Hose 3/4" (19mm) Thru-Hull 2 Stainless Steel Hose Clamps
SFBPK-1000-01	1"(25mm) Outlet	4.5' (1.5m) x 1"(25mm) Flexible PVC Hose 1"(25mm) Thru-Hull 2 Stainless Steel Hose Clamps
SFBPK-1125-01	1-1/8"(29mm) Outlet	4.5' (1.5m) x 1-1/8"(29mm) Flexible PVC Hose 1-1/8"(29mm) Thru-Hull 2 Stainless Steel Hose Clamps
SFBPK-1500-01	1-1/2"(40mm) Outlet	4.5' (1.5m) x 1-1/2"(40mm) Flexible PVC Hose 1-1/2"(40mm) Thru-Hull 2 Stainless Steel Hose Clamps
SFBPK-2000-01	2"(52mm) Outlet	4.5' (1.5m) x 2"(52mm) Flexible PVC Hose 2"(52mm) Thru-Hull 2 Stainless Steel Hose Clamps

## Hose Clamps

Seaflor hose repair clamp kit is ideal for corrosive applications or applications exposed to moisture or water. Stainless steel surface can prevent hose corrosion. It is very suitable for pipeline maintenance. This clamp provides a durable and low-maintenance solution.

### FEATURES & BENEFITS

- Engraved with dimension data for easy reference
- 304 stainless steel for lasting durability
- Excellent rust resistance
- Features versatile use with hoses made from a variety of different materials



Model	Size	Material
SFHC-01	5/8 ~ 1" (16~25mm)	304 stainless steel
SFHC-02	3/4 ~ 1-1/8" (19~29mm)	304 stainless steel
SFHC-03	4/5 ~ 1-1/2" (21~38mm)	304 stainless steel
SFHC-04	1 ~ 2" (27~51mm)	304 stainless steel
SFHC-05	1-1/2 ~ 2-1/2" (40~63mm)	304 stainless steel

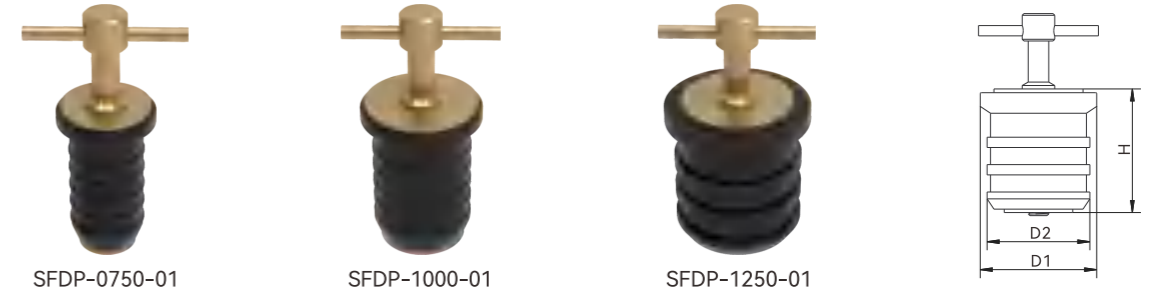
## Boat Drain Plugs

### FEATURES & BENEFITS

- High-quality brass material, durable, anti-rust, non-fading, corrosion-resistant, sturdy and durable for long-term use
- The neoprene seal creates a high-quality waterproof seal, which is not easily deformed and has a good sealing effect

- A variety of size and style options, widely used
- Simple twist and lock operation, easy to use
- 2 drain plugs per set
- Use in the bottom hatch, lifeboat and so on

### 01 T-Handle Drain Plug



Model	Size	D1mm	D2mm	Hmm	Material	Seal
SFDP-0750-01	3/4"(19mm)	22	17	34	Brass	Neoprene
SFDP-1000-01	1"(25mm)	28	23	34		
SFDP-1250-01	1-1/4"(32mm)	34	30	34		

### 02 Snap Handle Drain Plug



Model	Size	D1mm	D2mm	Hmm	Material	Seal
SFDP-0750-02	3/4"(19mm)	22	17	34	Brass	Neoprene
SFDP-1000-02	1"(25mm)	28	23	34		
SFDP-1250-02	1-1/4"(32mm)	34	30	34		

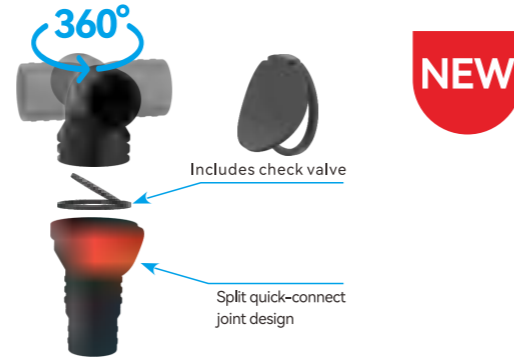
### 03 Drain Plugs



Model	Size	D1mm	D2mm	Hmm	Material	Seal
SFDP-0750-03	3/4"(19mm)	22	17	34	Brass	Neoprene
SFDP-1000-03	1"(25mm)	28	23	34		
SFDP-1250-03	1-1/4"(32mm)	34	30	34		

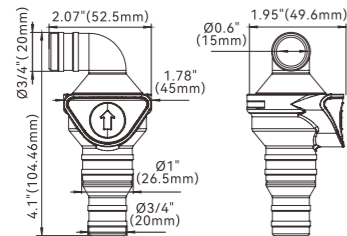
## Non-return Valves

The check valve has a simple structure, can effectively prevent water from flowing back, and is made of high-quality materials with good sealing performance and high reliability. The middle connecting part can be unscrewed and is easy to use. There are two styles: in-line and 90 degrees. Different models make the check valve suitable for various types of water pumps, pipeline systems and other application scenarios, and have a wide range of applications.



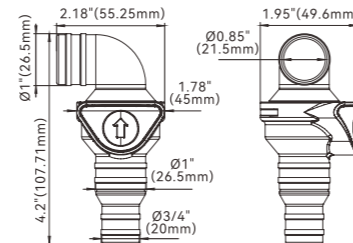
### SFENV1-W075-01

Hose Inlet: 3/4" - 1"(20-26.5mm)  
Hose Outlet: 3/4"(20mm)  
Angle: 90°



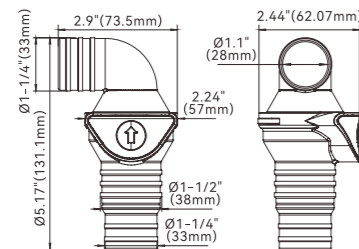
### SFENV1-W100-01

Hose Inlet: 3/4" - 1"(20-26.5mm)  
Hose Outlet: 1"(26.5mm)  
Angle: 90°



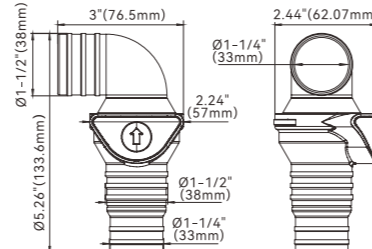
### SFENV1-W125-01

Hose Inlet: 1/2"-1/2"(33-38mm)  
Hose Outlet: 1/4"(33mm)  
Angle: 90°



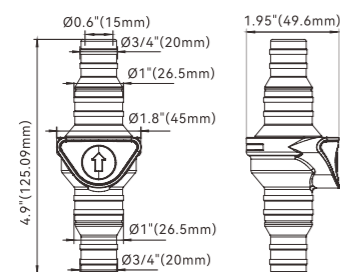
### SFENV1-W150-01

Hose Inlet: 1/2"-1/2"(33-38mm)  
Hose Outlet: 1/2"(38mm)  
Angle: 90°



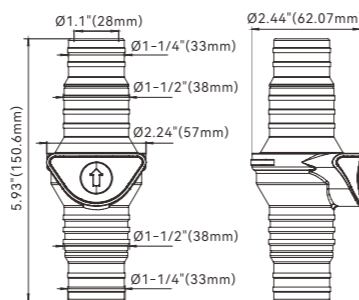
### SFINV1-Z100-01

Hose Inlet: 3/4" - 1"(20-26.5mm)  
Hose Outlet: 3/4" - 1"(20-26.5mm)  
Angle: In-line



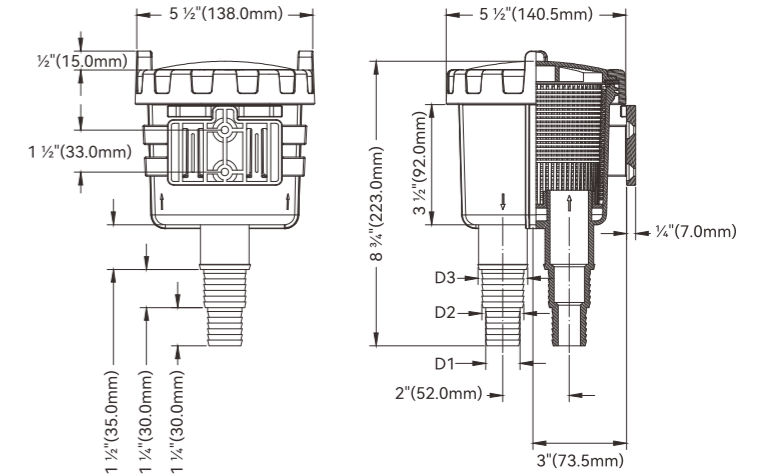
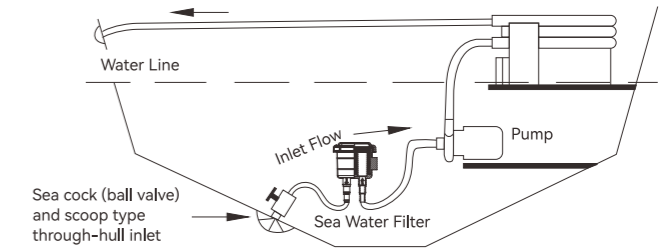
### SFINV1-Z150-01

Hose Inlet: 1/2"-1/2"(33-38mm)  
Hose Outlet: 1/2"-1/2"(33-38mm)  
Angle: In-line



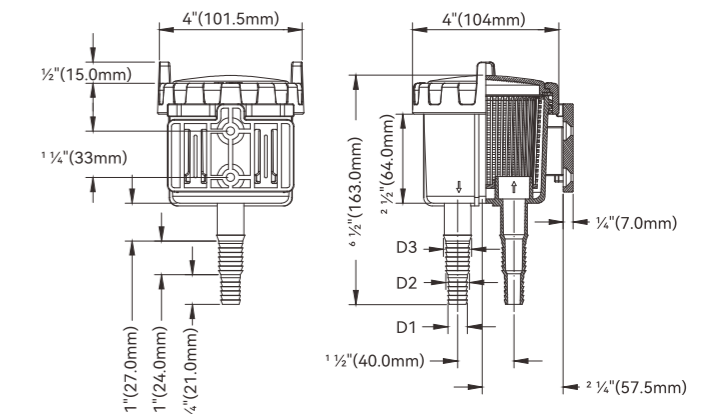
## Raw Water Strainers

Raw water strainers is a filter directly filter water suspended solids, particles and other impurities with a filter net, to reduce dirt, bacteria algae, rust, etc. in a pipe system, in this way to protect the pipe system and equipment and make them work properly.



### Technical Date

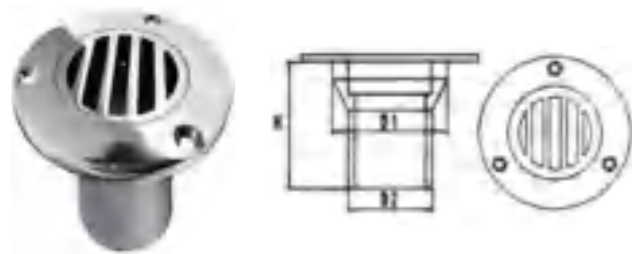
Model	Output Size	Recommended Hose Size	Recommended Input
SF-SWF003	D1: 1"(25.4 mm)	0.98"(25 mm)	91 L/min. 24 GPM US
	D2: 1-1/4"(31.8 mm)	1.26"(32 mm)	143 L/min. 37.8 GPM US
	D3: 1-1/2"(38.1 mm)	1.5"(38 mm)	200 L/min.52.9 GPM US



### Technical Date

Model	Output Size	Recommended Hose Size	Recommended Input
SF-SWF004	D1: 1/2"(12.7 mm)	0.51"(13 mm)	23 L/min. 6 GPM US
	D2: 5/8"(15.9 mm)	0.63"(16 mm)	35 L/min. 9 GPM US
	D3: 3/4"(19.0 mm)	0.75"(19 mm)	51 L/min. 13 GPM US

**#316 COCKPIT DRAIN**



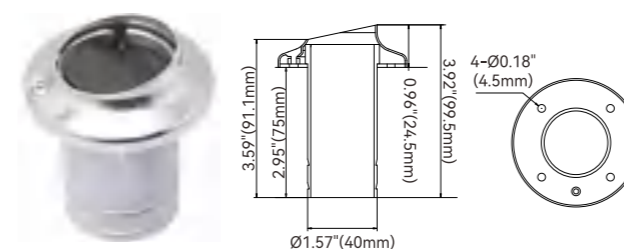
Model	H	D	C
SFC-01	3.15"(80mm)	2"(50mm)	2"(50mm)

**#316 Angle cockpit drain**

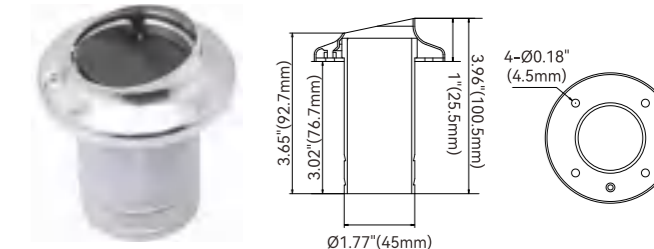


Model	A	A1	B	D
SFC-02	3.15"(80mm)	2"(50mm)	3.11"(79mm)	1.5"(38mm)

**Transom Exhaust Pipe, AISI316**



Model	Size	Weight
SFEP-40-01	1.57"(40mm)	237.5g



Model	Size	Weight
SFEP-45-01	1.77"(45mm)	271.7g

**#316 Tank ventilator, angle**

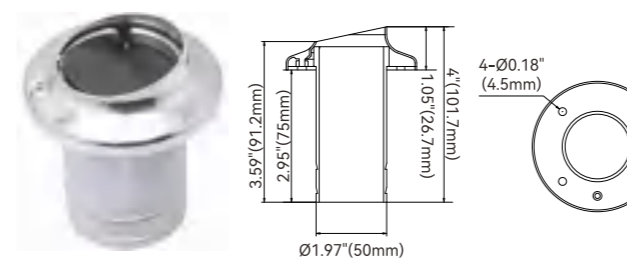


Model	Size
SFTV-01	5/8"(16mm)

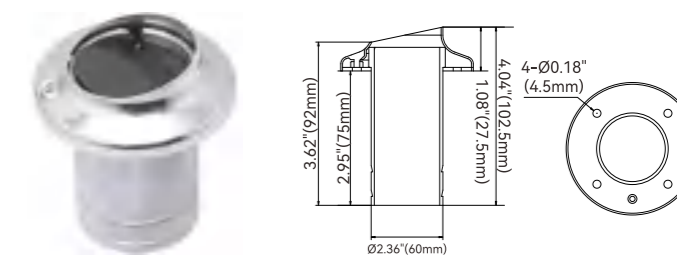
**#316 Tank ventilator, straight**



Model	Size
SFTV-02	5/8"(16mm)



Model	Size	Weight
SFEP-51-01	2"(51mm)	291.7g



Model	Size	Weight
SFEP-60-01	2.36"(60mm)	372.8g

**#316 Gas tank vent, angle**

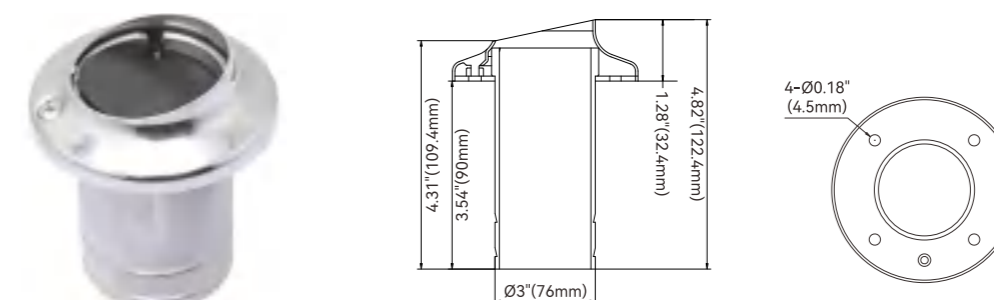


Model	Size
SFTV-03	5/8"(16mm)

**#316 Gas tank vent, straight**



Model	Size
SFTV-04	5/8"(16mm)



Model	Size	Weight
SFEP-76-01	3"(76mm)	508g

**Water Deck Filler Caps**



**SFCW1-01**  
 Hose Ø: 1.5"(38mm)  
 Material: plastic  
 Color: White



**SFCW2-01**  
 Hose Ø: 1.5"(38mm)  
 Material: plastic  
 Color: Black

**Fuel Deck Filler Caps**



**SFCF1-01**  
 Hose Ø: 1.5"(38mm)  
 Material: plastic  
 Color: White



**SFCF2-01**  
 Hose Ø: 1.5"(38mm)  
 Material: plastic  
 Color: Black

**Deck filler with key, AISI316**



**SFCF-38-02**  
 Fuel Deck Filler Caps  
 Hose Ø: Fuel-1.5"(38mm)  
 Material: 316 stainless steels



**SFCF-50-02**  
 Fuel Deck Filler Caps  
 Hose Ø: Fuel-1.97"(50mm)  
 Material: 316 stainless steels



**SFCD-38-01**  
 Diesel Deck Filler Caps  
 Hose Ø: Diesel-1.5"(38mm)  
 Material: 316 stainless steels



**SFCD-50-01**  
 Diesel Deck Filler Caps  
 Hose Ø: Diesel-1.97"(50mm)  
 Material: 316 stainless steels



**SFCW-38-02**  
 Water Deck Filler Caps  
 Hose Ø: Water-1.5"(38mm)  
 Material: 316 stainless steels



**SFCS-38-01**  
 Waste Deck Filler Caps  
 Hose Ø: Waste-1.5"(38mm)  
 Material: 316 stainless steels

**Deck filler, AISI316**



**SFCF-38-03**  
 Fuel Deck Filler Caps  
 Hose Ø: Fuel-1.5"(38mm)  
 Material: 316 stainless steels



**SFCF-50-03**  
 Fuel Deck Filler Caps  
 Hose Ø: Fuel-1.97"(50mm)  
 Material: 316 stainless steels



**SFCD-38-02**  
 Diesel Deck Filler Caps  
 Hose Ø: Diesel-1.5"(38mm)  
 Material: 316 stainless steels



**SFCD-50-02**  
 Diesel Deck Filler Caps  
 Hose Ø: Diesel-1.97"(50mm)  
 Material: 316 stainless steels



**SFCW-38-03**  
 Water Deck Filler Caps  
 Hose Ø: Water-1.5"(38mm)  
 Material: 316 stainless steels

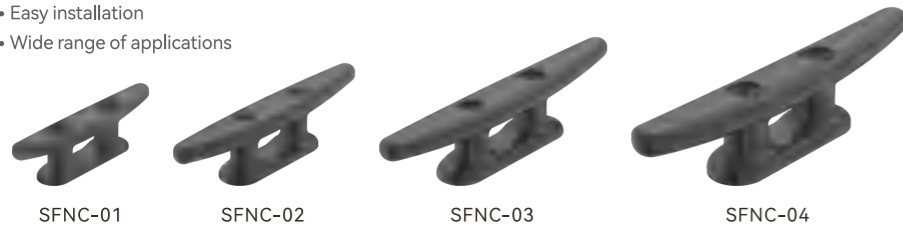


**SFCS-38-02**  
 Waste Deck Filler Caps  
 Hose Ø: Waste-1.5"(38mm)  
 Material: 316 stainless steels

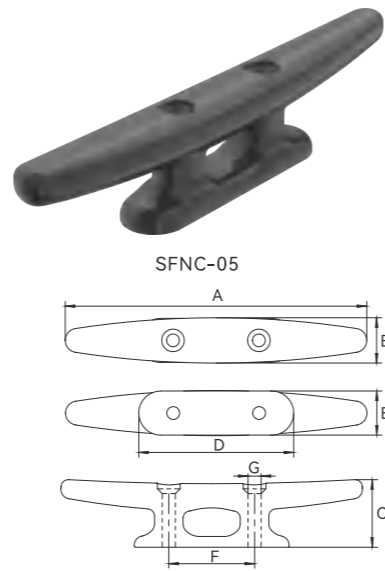
### Nylon Cleats

**NEW**

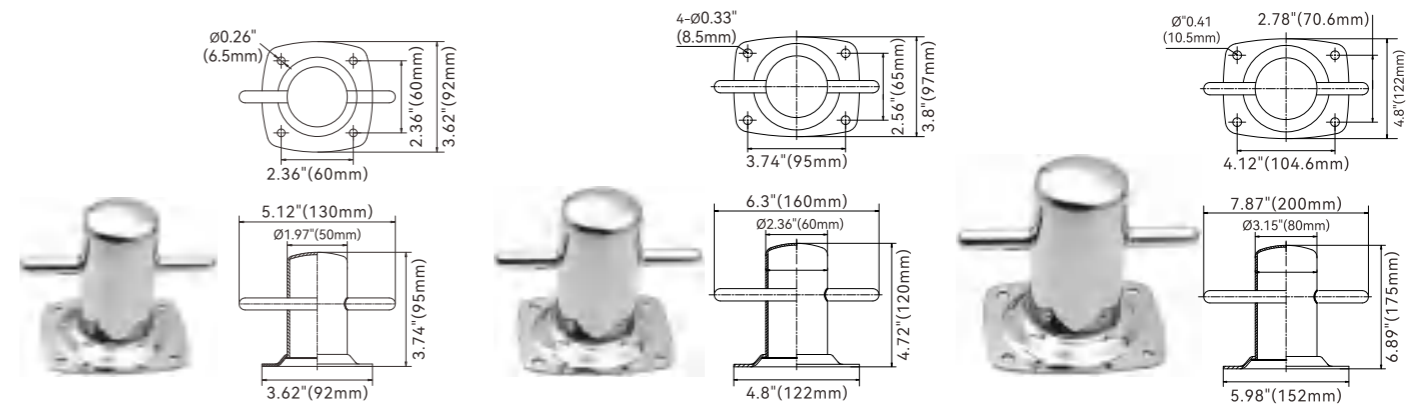
- Highly durable
- Excellent tensile properties
- Easy installation
- Wide range of applications



Model	Size	A(mm)	B(mm)	C(mm)	D(mm)	E(mm)	F(mm)	G(mm)
SFNC-01	3"	76	13	21	47	13	28	Φ4.5
SFNC-02	4"	101	16	25	50	16	30	Φ4.5
SFNC-03	5"	127	19	28	65	18.5	36	Φ5.5
SFNC-04	6"	152	23	36	73	23	42	Φ6.8
SFNC-05	8"	203	26.5	43	100	26	49	Φ6.8

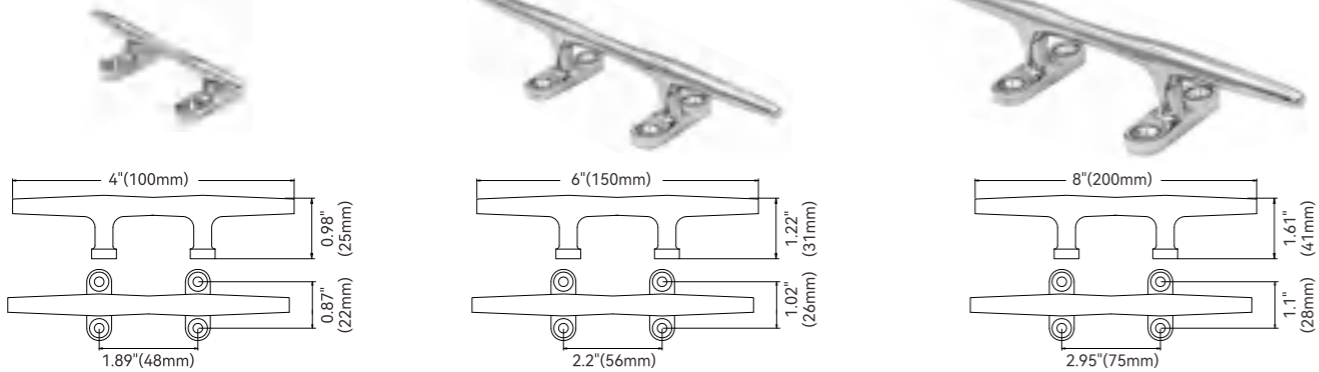


### Bollard, Stamped, AISI316



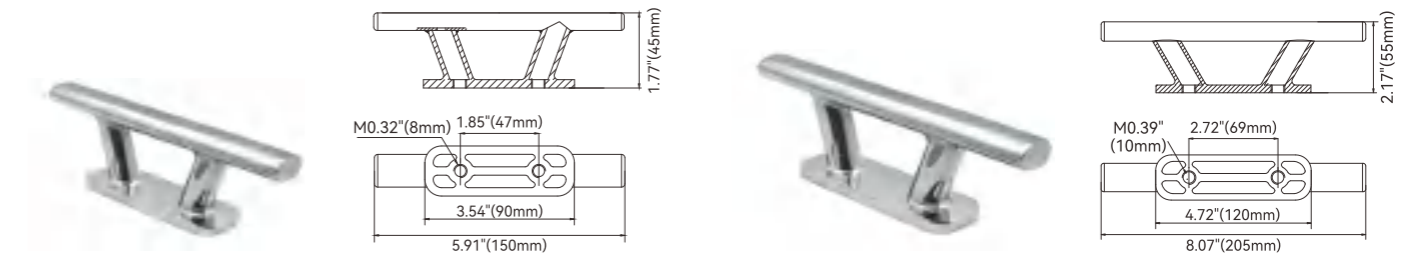
Model	Size	Height	Weight	Model	Size	Height	Weight	Model	Size	Height	Weight
SFSC-095-05	3.62"x3.62" (92x92mm)	3.74" (95mm)	367.5g	SFSC-120-05	3.8"x4.8" (97x122mm)	4.72" (120mm)	618g	SFSC-172-05	4.8"x5.98" (122x152mm)	6.89" (175mm)	1254.4g

### Hollow Base Cleat, light Duty AISI316



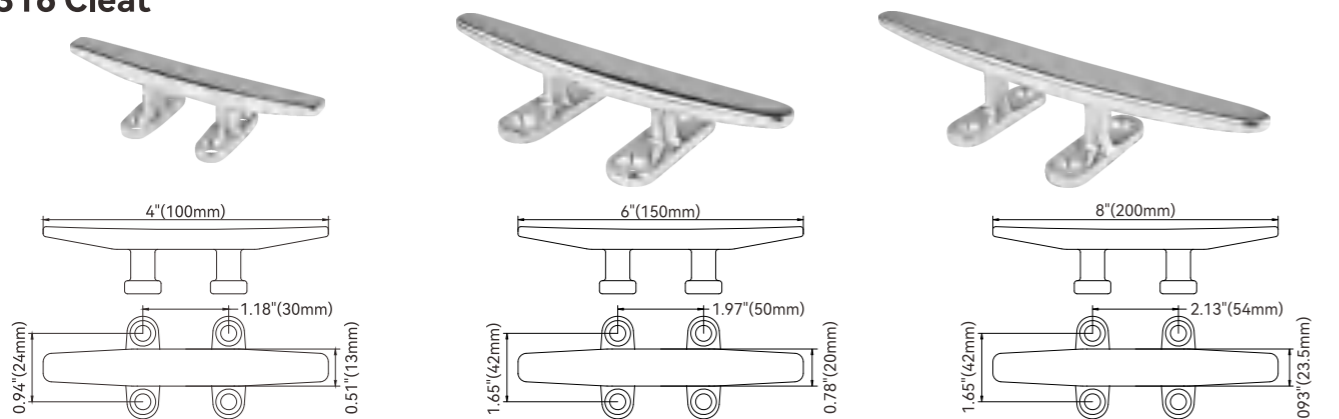
Model	Size	Weight	Model	Size	Weight	Model	Size	Weight
SFSC-004-01	4"	56g	SFSC-006-01	6"	147g	SFSC-008-01	8"	256.8g

### #316 Cleat



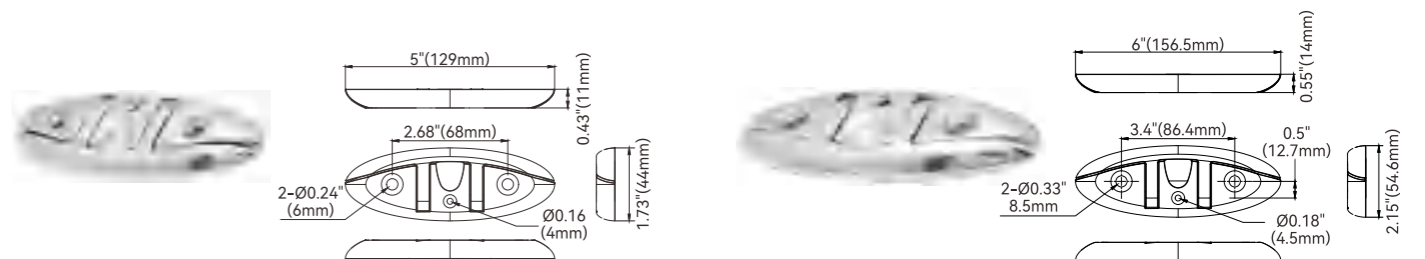
Model	Length	Base Size	Center hole	Height	Weight	Model	Length	Base Size	Center hole	Height	Weight
SFSC-006-03	5.91" (150mm)	3.54"x1.18" (90x30mm)	1.85" (47mm)	1.77" (45mm)	211g	SFSC-008-03	8.07" (205mm)	4.72"x1.38" (120x35mm)	2.72" (69mm)	2.17" (55mm)	354.7g

### #316 Cleat



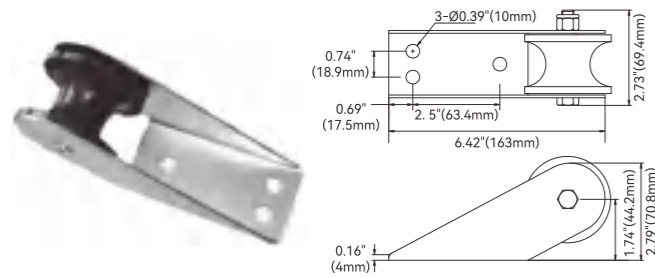
Model	Size	Weight	Model	Size	Weight	Model	Size	Weight
SFSC-004-02	4"	82.8g	SFSC-006-02	6"	232.4g	SFSC-008-02	8"	362g

### #316 Foldable cleat



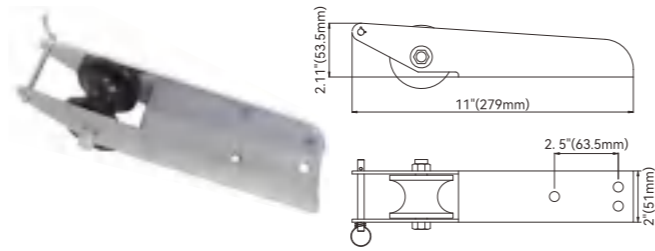
Model	Size	Weight	Model	Size	Weight
SFSC-005-04	5"	208g	SFSC-006-04	6"	418.6g

**AISI316 Small bow roller**



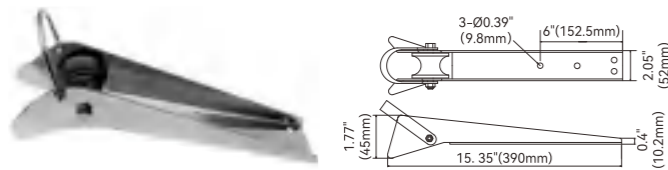
Model	Length	Width	Height	Roller	Weight
SFAR-01	6.1\"(155mm)	2\"(51mm)	2.79\"(70.8mm)	2-1/2\"x1-3/4\"	410g

**AISI316 Medium bow roller**



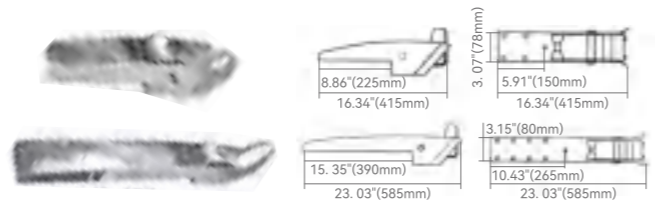
Model	Length	Width	Height	Roller	Weight
SFAR-02	11\"(279mm)	2\"(51mm)	2.11\"(53.5mm)	2-1/2\"x1-3/4\"	810g

**AISI316 Large anchor roller**



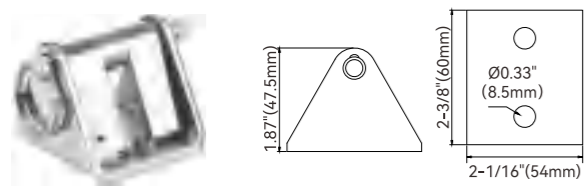
Model	Length	Width	Height	Roller	Weight
SFAR-03	15.35\"(390mm)	2\"(52mm)	1.77\"(45mm)	2-1/2\"x1-3/4\"	980g

**Selflauching bow rollers, AISI316**

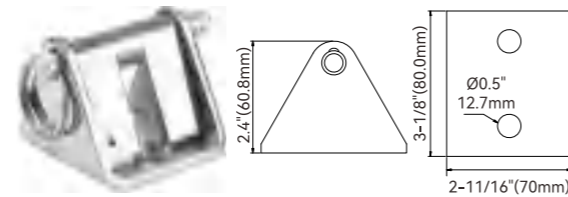


Model	Length	Width	Suit for anchor	Weight
SFAR-04	16.5\"(425mm)	3.07\"(78mm)	7.5-15kg	3.4kg
SFAR-05	23\"(585mm)	3.15\"(80mm)	10-20kg	4.2kg

**AISI316 Chain Stopper**

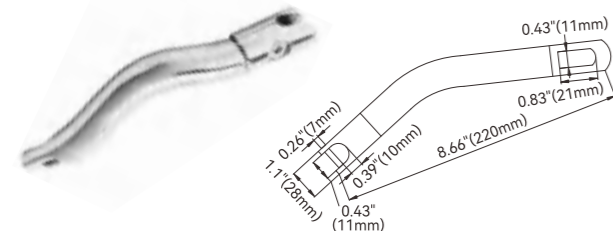


Model	Size	Suit chain	Weight
SFAC-60-01	60x54mm (2-3/8\"x2-1/16\")	6-8mm (1/4\"-5/16\")	292.5g

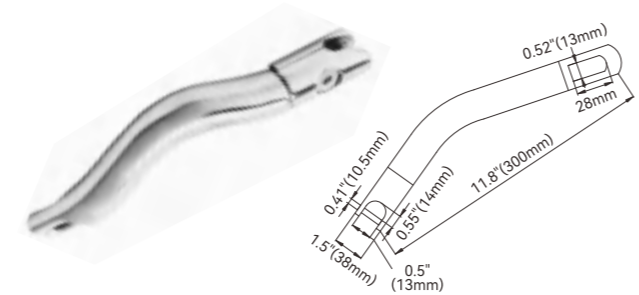


Model	Size	Suit chain	Weight
SFAC-80-01	80x70mm (3-1/8\"x2-11/16\")	8-10mm (5/16\"-3/8\")	674g

**AISI316 Double Swivel Anchor Chain**

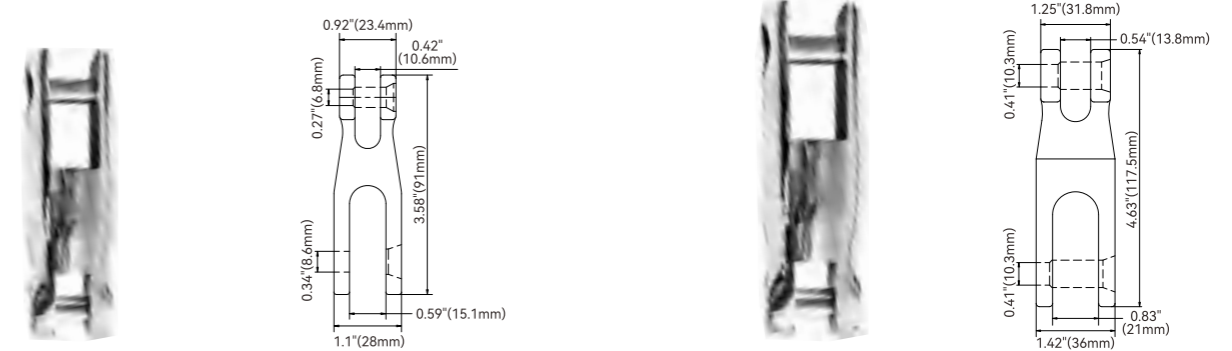


Model	Size	Suit chain	Weight
SFAC-220-05	8.66\"(220mm)	6-8mm (1/4\"-5/16\")	923.6g



Model	Size	Suit chain	Weight
SFAC-300-05	11.8\"(300mm)	10-12mm (3/8\"-1/2\")	2240g

**AISI316 Anchor Connector**



Model	Size	Suit chain	Weight
SFAC-90-02	3.54\"(90mm)	6-8mm (1/4\"-5/16\")	178.4g

Model	Size	Suit chain	Weight
SFAC-115-02	4.53\"(115mm)	10-12mm (3/8\"-1/2\")	458.8g

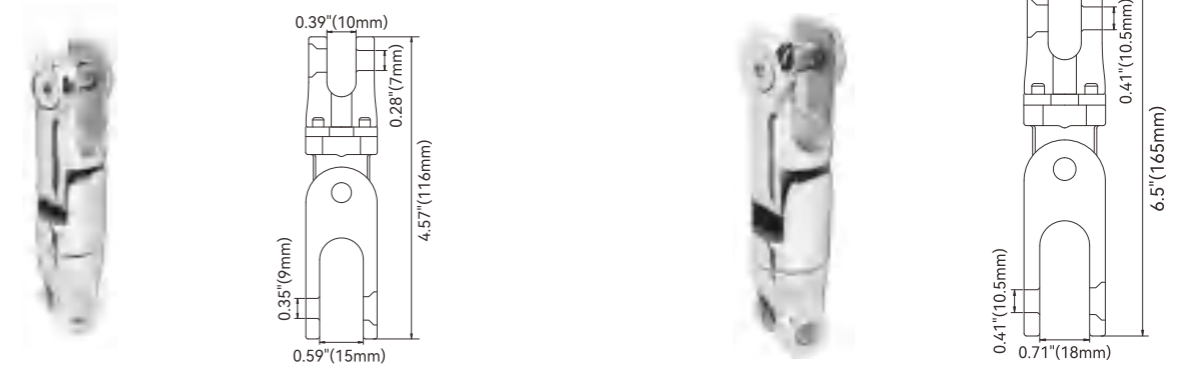
**AISI316 Swivel Anchor Chain**



Model	Size	Suit chain	Weight
SFAC-90-03	3.54\"(90mm)	6-8mm (1/4\"-5/16\")	220.9g

Model	Size	Suit chain	Weight
SFAC-115-03	4.53\"(115mm)	10-12mm (3/8\"-1/2\")	473.1g

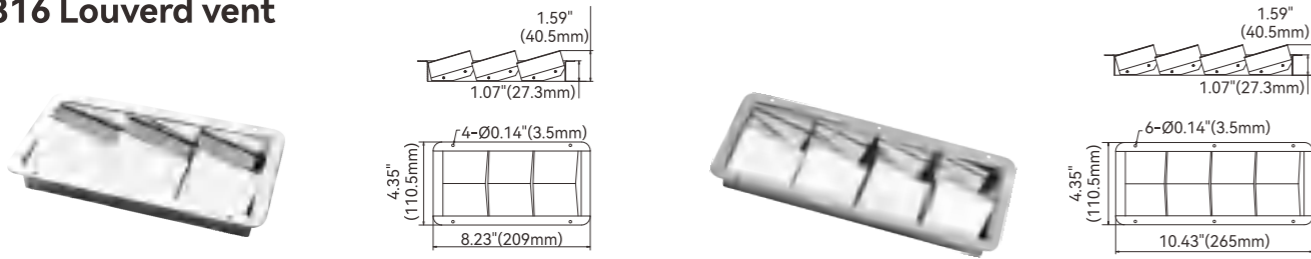
**AISI316 Double Swivel Anchor Chain**



Model	Size	Suit chain	Weight
SFAC-116-04	4.57\"(116mm)	6-8mm (1/4\"-5/16\")	338.1g

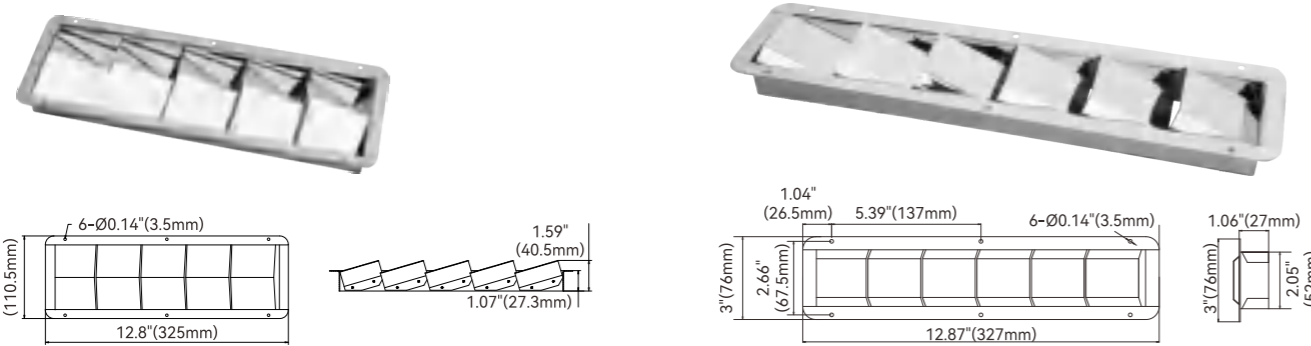
Model	Size	Suit chain	Weight
SFAC-165-04	6.5\"(165mm)	10-12mm (3/8\"-1/2\")	657.6g

#316 Louverd vent



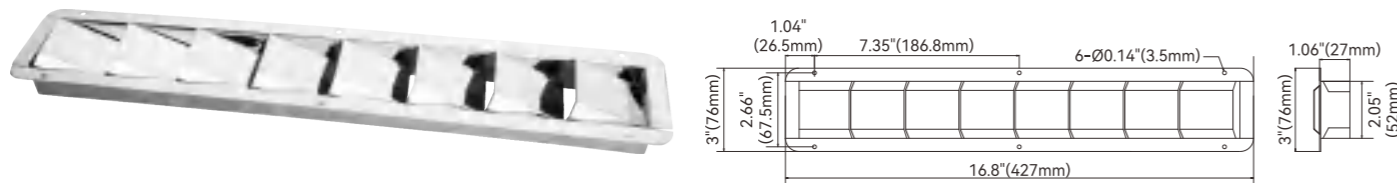
Model	Slots	Width x Height	Length	Weight
SFDV-110-120-05	3	4-3/8"x1-1/2"	8-1/4"	202.8g

Model	Slots	Width x Height	Length	Weight
SFDV-110-265-05	4	4-3/8"x1-1/2"	10"	255g



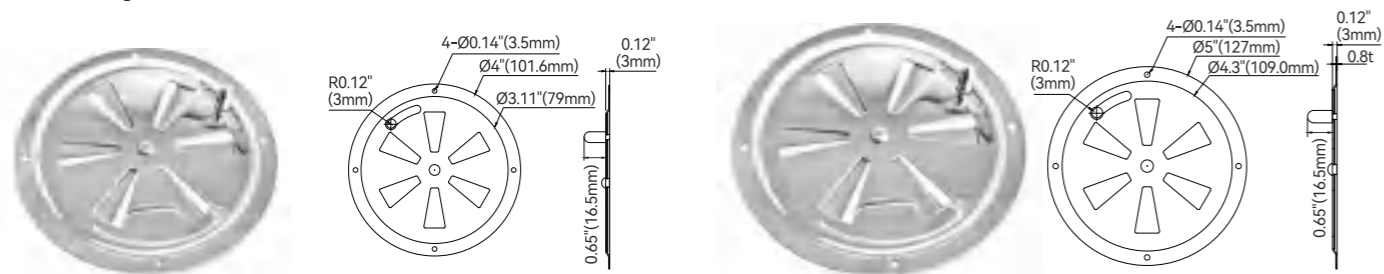
Model	Slots	Width x Height	Length	Weight
SFDV-110-325-05	5	4-3/8"x1-1/2"	12-7/8"	310g

Model	Slots	Width x Height	Length	Weight
SFDV-75-330-05	6	3"x1-1/4"	12-7/8"	268g



Model	Slots	Width x Height	Length	Weight
SFDV-75-430-05	8	3"x1-1/4"	16-13/16"	347.3g

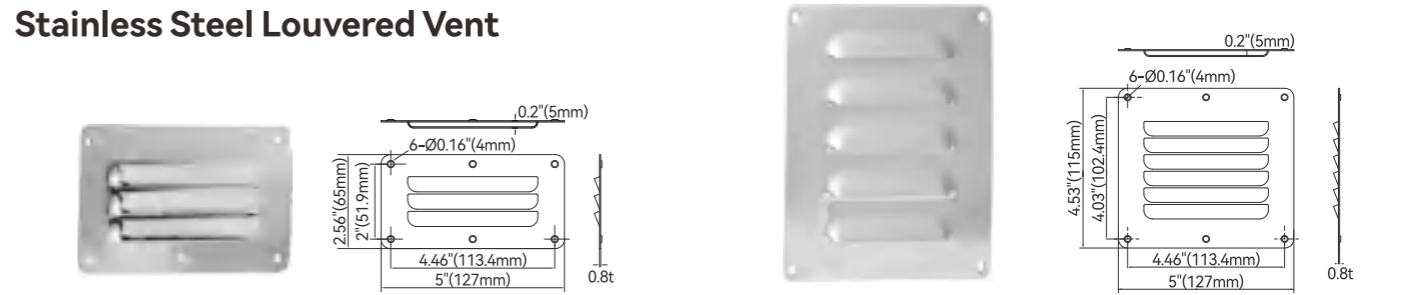
Butterfly Vent, AISI304



Model	Size	Weight
SFVC-04-03	4"	75.3g

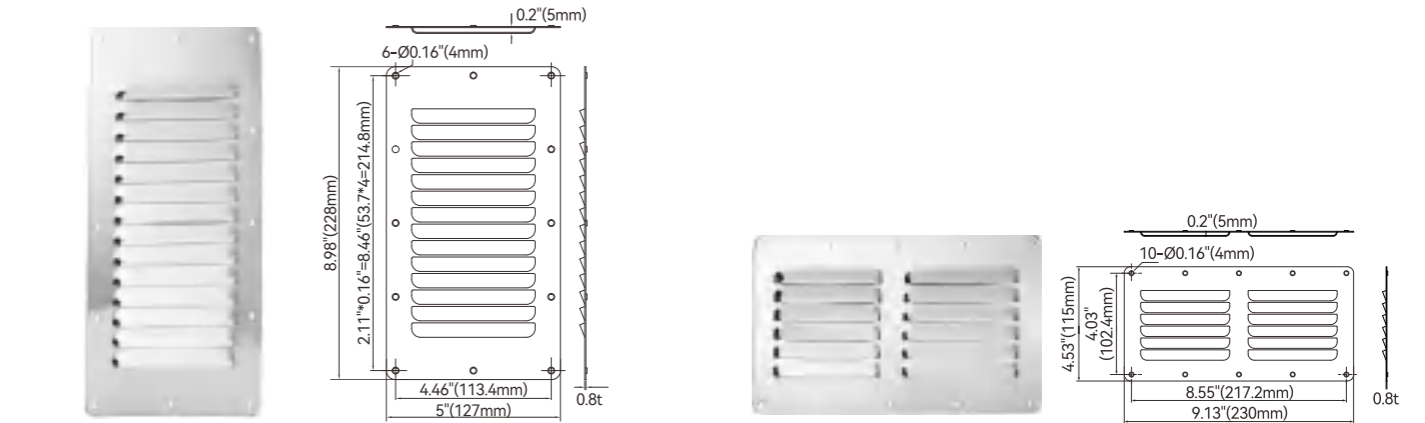
Model	Size	Weight
SFVC-05-03	5"	110g

Stainless Steel Louvered Vent



Model	Length	Height	Weight
SFDV-127-65-04	5"(127mm)	2.56"(65mm)	47.5g

Model	Length	Height	Weight
SFDV-115-127-04	4.53"(115mm)	5"(127mm)	90.5g



Model	Length	Height	Weight
SFDV-127-228-04	5"(127mm)	8.97"(228mm)	180g

Model	Length	Height	Weight
SFDV-230-115-04	9.13"(230mm)	4.53"(115mm)	167g

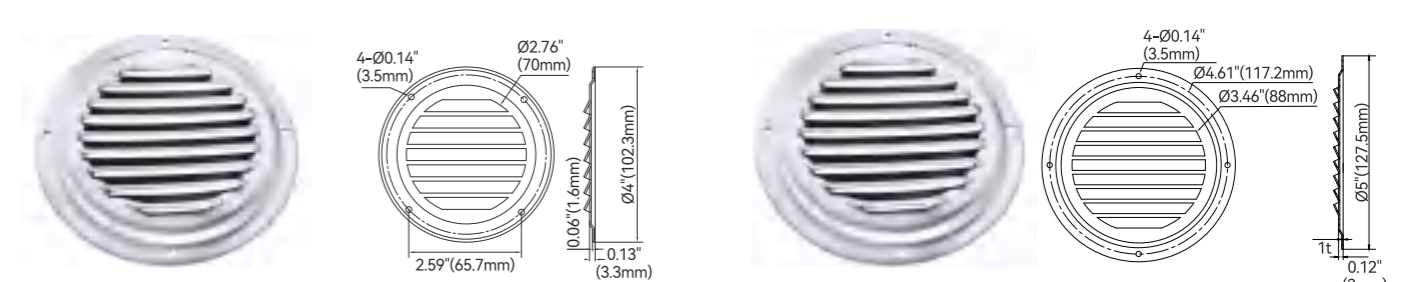
Midget vent, AISI316



Model	Size	Weight
SFDV-44-06	1.7"x1.67"(43.3x42.4mm)	5g

Model	Size	Weight
SFDV-56-06	2.22"x2.17"(56.5x55.1mm)	10g

Round Louvered Vent AISI304

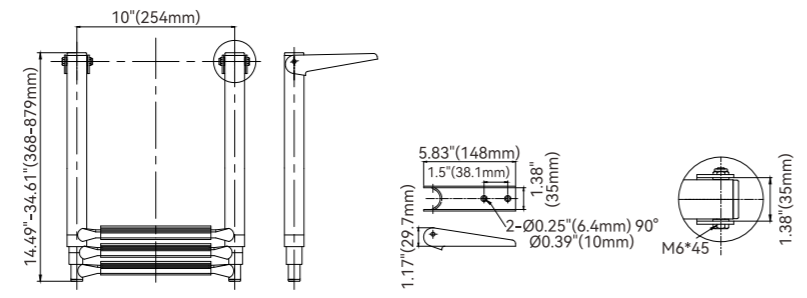


Model	Size	Weight
SFVC-04-04	4"	64g

Model	Size	Weight
SFVC-05-04	5"	92.2g

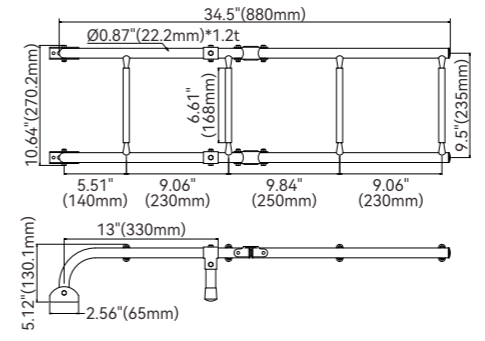


### Telescoping Drop Ladder, Mirror Polished

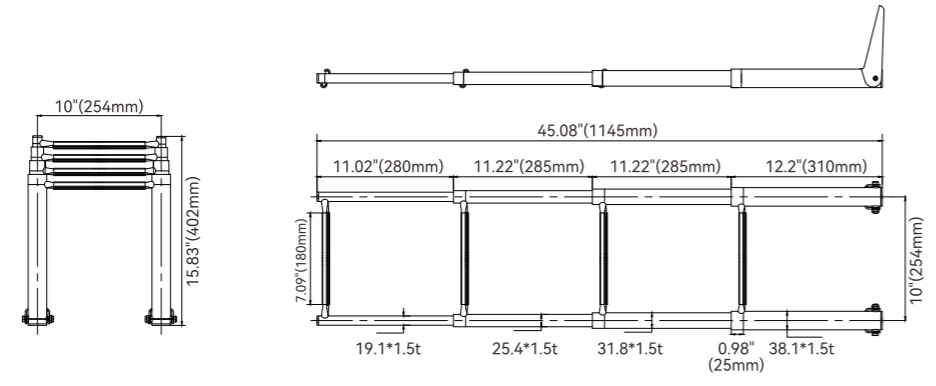


Model	Step	L. Deployed	L.Stowed	Centrum W	Color	Weight
SFLD-03-01	3 Step	35"(875mm)	14.5"(370mm)	10"(254mm)	Black Step	2.44kg

### AISI316 FOLDING LADDER, Mirror Polished

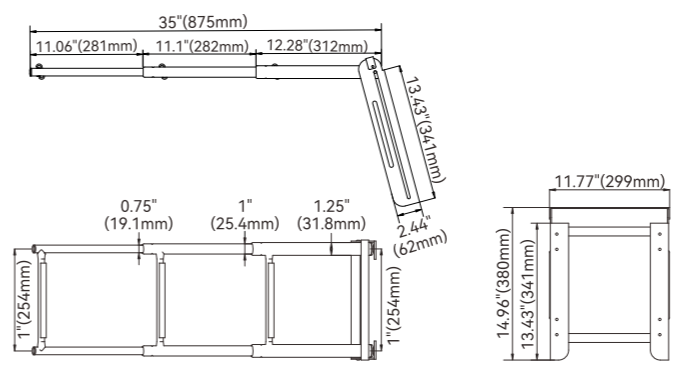


Model	Step	L. Deployed	L.Stowed	Centrum W	Material	Color	Weight
SFLD-04-02	2+2=4 step	34.5"(880mm)	18"(450mm)	9.5"(235mm)	Plastic step	Black Step	2.3kg



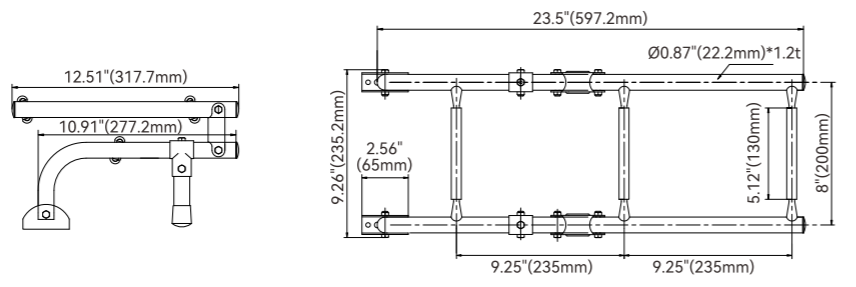
Model	Step	L. Deployed	L.Stowed	Centrum W	Color	Weight
SFLD-04-01	4 Step	45.1"(1145mm)	15.5"(395mm)	10"(254mm)	Black Step	3.7kg

### Bracket Telescopic Ladder With Stopper, Mirror Polished



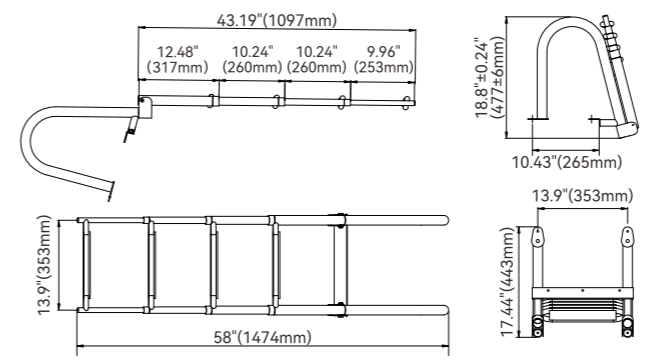
Model	Step	Width	L. Deployed	Color	Weight
SFLD-03-03	3 Step	10"(254mm)	35"(875mm)	Black Step	3.73kg

### AISI316 FOLDING LADDER, Mirror Polished



Model	Step	L. Deployed	L.Stowed	Centrum W	Material	Color	Weight
SFLD-03-02	1+2=3 step	24"(600mm)	12.6"(320mm)	8"(200mm)	Plastic step	Black Step	1.71kg

### Heavy Handrail Ladder With Double Tube Step

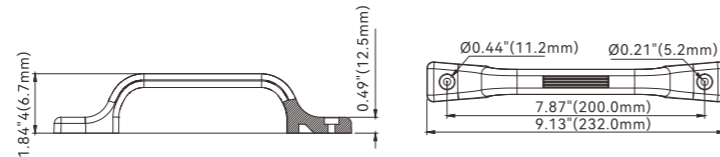


Model	Step	L. Deployed	L.Stowed	Centrum W	Weight
SFLD-04-04	4 Step	58"(1474mm)	18.8"(477mm)	13.9"(353mm)	7.42kg

## Grab Handle

### FEATURES & BENEFITS

SEAFLO Grab Handle designed for safety and convenience  
Easy to install - Fits most RV's, Travel Trailer's, Fifth Wheel Trailers, Campers, Motor Home's, Cargo Trailers and Boats  
Can be mounted vertically or horizontally

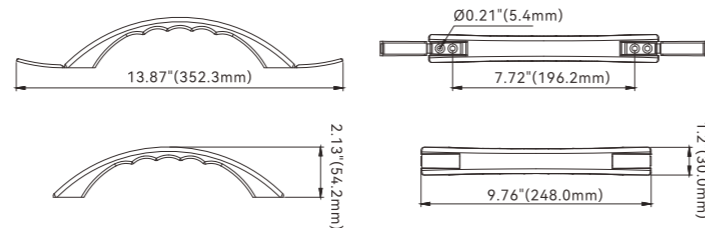


Model	Size	Color	Material
SFDK1-01	9.13"x1.84"x0.49"(232x46.7x12.5mm)	White	PA66
SFDK2-01	9.13"x1.84"x0.49"(232x46.7x12.5mm)	Black	PA66

## Arch Assist Handle

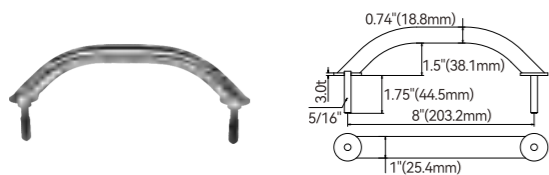
### FEATURES & BENEFITS

SEAFLO Arch Handle designed in clean styling, shaped to fit your hand for a secure grip  
Easy to install - Fits most RV's, Travel Trailer's, Fifth Wheel Trailers, Campers, Motor Home's, Cargo Trailers and Boats  
Made with All Weather Impact Resistant Polypropylene

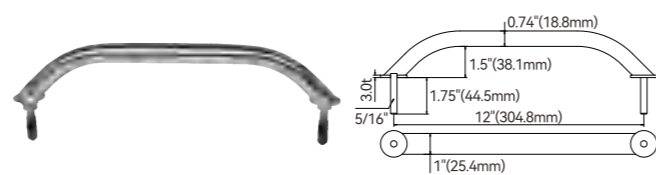


Model	Size	Color	Material
SFDK1-02	9.76"x1.2"x2.13"(248x30x54.2mm)	White	PP
SFDK2-02	9.76"x1.2"x2.13"(248x30x54.2mm)	Black	PP

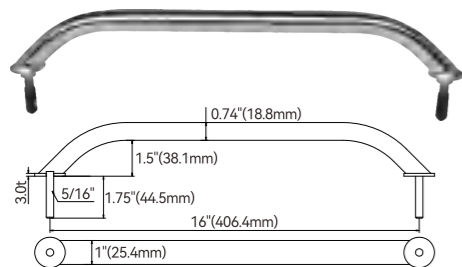
## Heavy duty oval handrail



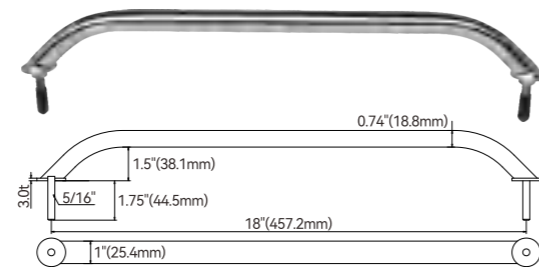
Model	Stud	Overall length	Weight
SFHD3-08-01	M0.32"x1.97"(8x50mm)	8-5/8"	218g



Model	Stud	Overall length	Weight
SFHD3-12-01	M0.32"x1.97"(8x50mm)	12"	267.4g

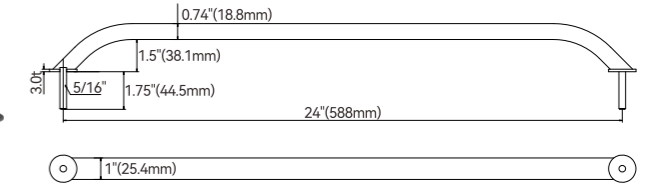


Model	Stud	Overall length	Weight
SFHD3-16-01	M0.32"x1.97"(8x50mm)	16"	325g



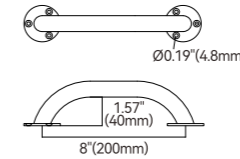
Model	Stud	Overall length	Weight
SFHD3-18-01	M0.32"x1.97"(8x50mm)	18"	353.5g

## Heavy duty oval handrail

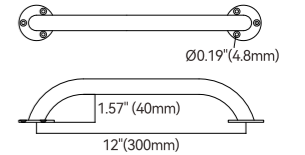


Model	Stud	Overall length	Weight
SFHD3-24-01	M0.32"x1.97"(8x50mm)	24"	444g

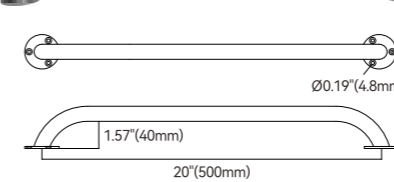
## #316 Round handrail, welded round base



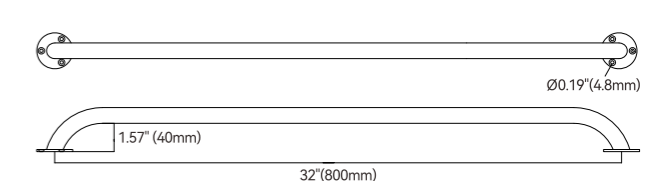
Model	Round	Length	Weight
SFHD3-08-02	0.87"(22mm)	8"(200mm)	217.6g



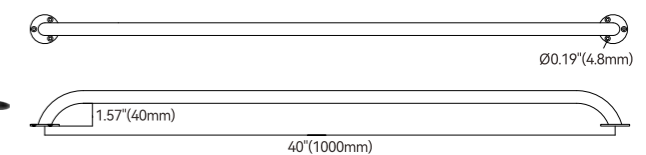
Model	Round	Length	Weight
SFHD3-12-02	0.87"(22mm)	12"(300mm)	274.6g



Model	Round	Length	Weight
SFHD3-20-02	0.87"(22mm)	20"(500mm)	390.4g



Model	Round	Length	Weight
SFHD3-32-02	0.87"(22mm)	32"(800mm)	560g



Model	Round	Length	Weight
SFHD3-40-02	0.87"(22mm)	40"(1000mm)	677.8g

**#316 Classic Slam latch, 2"**



Model	Cut-out	Diameter	Deck thickness	Weight
SFSL-01	1.97"	2.4"	0.31"-0.87"	210g

**#316 Compression slam lift handle**



Model	Cut-out	Diameter	Deck thickness	Weight
SFSL-02	1.97"	2.4"	0.08"-0.28"	300g

Model	Cut-out	Diameter	Deck thickness	Weight
SFSL-03	1.97"	2.44"	0.28"-0.59"	307g

**Flush latch locking**



Model	Mounting Hole Diameter	For Mounting Surfaces	Face Plate Diameter	Lock	Color
SFFL1-01	2-1/2"	3/8" to 7/8"	2-9/10"	Yes	White

Model	Mounting Hole Diameter	For Mounting Surfaces	Face Plate Diameter	Lock	Color
SFFL2-01	2-1/2"	3/8" to 7/8"	2-9/10"	Yes	Black

**Flush latch locking**



Model	Mounting Hole Diameter	For Mounting Surfaces	Face Plate Diameter	Lock	Color
SFFP1-02	2"	1/12" to 1/2"	2-4/11"	Yes	White

Model	Mounting Hole Diameter	For Mounting Surfaces	Face Plate Diameter	Lock	Color
SFFP2-02	2"	1/12" to 1/2"	2-4/11"	Yes	Black



Model	Mounting Hole Diameter	Face Plate Diameter	Lock	Color
SFFP1-03	1-3/4"	2-1/4" X 2-1/4"	Yes	White

Model	Mounting Hole Diameter	Face Plate Diameter	Lock	Color
SFFP2-03	1-3/4"	2-1/4" X 2-1/4"	Yes	Black

**#316 Square lift ring**



Model	Size	Weight
SFSL-04	3"x2.28"(76x58mm)	55g

**#316 Casted pull ring round**



Model	Size	Height	Weight
SFSL-05	2"(50mm)	0.71"(18mm)	83.6g

**#316 Casted pull ring square**



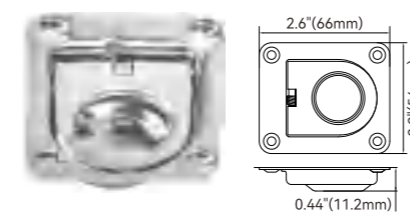
Model	Size	Height	Weight
SFSL-06	2"(50mm)	0.71"(18mm)	92.3g

**#316 pull ring, stamped**

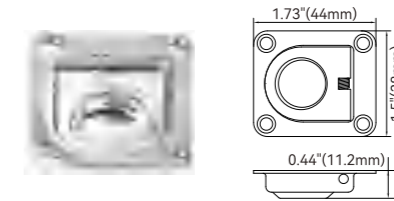


Model	Mounting Hole Diameter	For Mounting Surfaces	Face Plate Diameter	Lock	Color
SFSL-07	2"	1/12" to 1/2"	2-4/11"	Yes	White

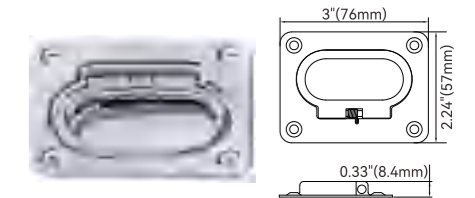
Model	Mounting Hole Diameter	For Mounting Surfaces	Face Plate Diameter	Lock	Color
SFSL-08	2"	1/12" to 1/2"	2-4/11"	Yes	Black



Model	Dimension(L*W*H)	Weight
SFSL-07	2.6"x2.2"x0.44"(66x56x11.2mm)	40g

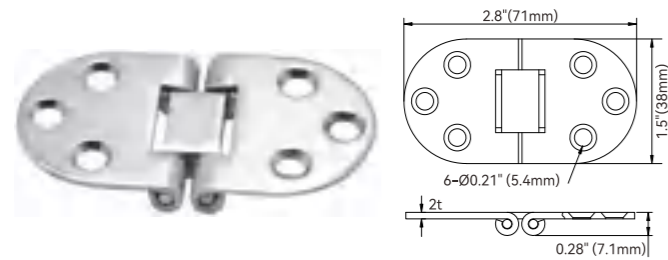


Model	Dimension(L*W*H)	Weight
SFSL-08	1.5"x1.73"x0.44"(38x44x11.2mm)	20g

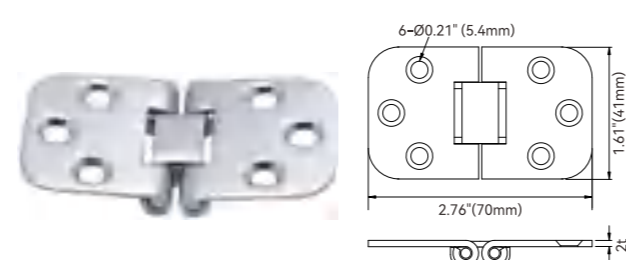


Model	Dimension(L*W*H)	Weight
SFSL-09	3"x2.24"x0.33"(76x57x8.4mm)	55g

**Stainless steel hinge, stamped**

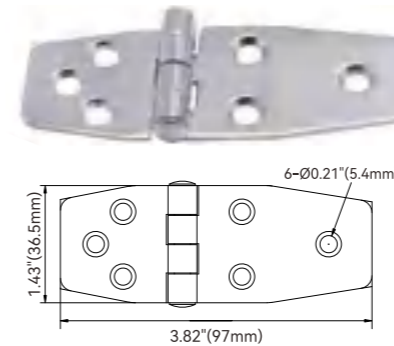


Model	Size	Weight
SFHS-01	2.8"x1.5"(71x38mm)	60g

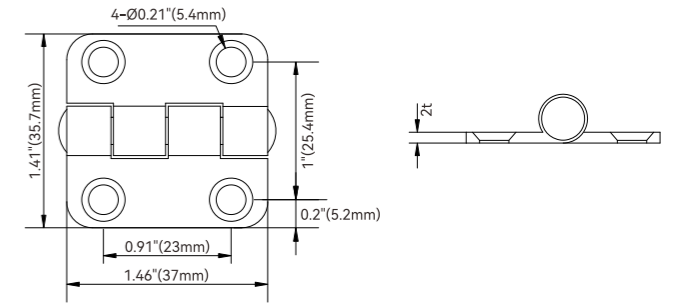


Model	Size	Weight
SFHS-02	2.76"x1.61"(70x41mm)	50g

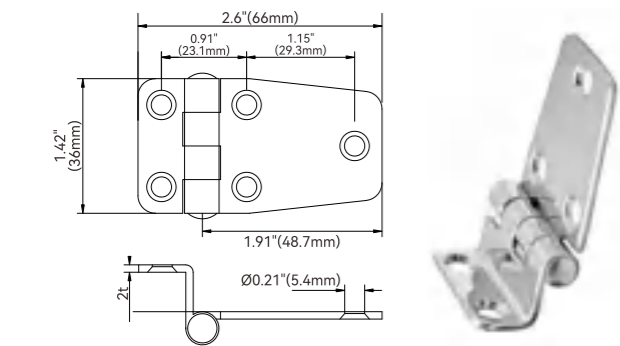
**Stainless steel hinge, stamped**



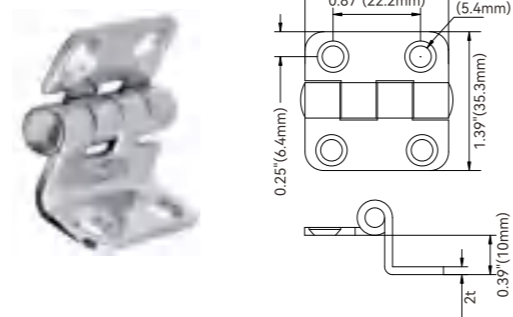
Model	Size	Weight
SFHS-07	1.43"x3.82"(36.5x97mm)	80g



Model	Size	Weight
SFHS-08	1.43"x1.41"(36.5x35.7mm)	30g

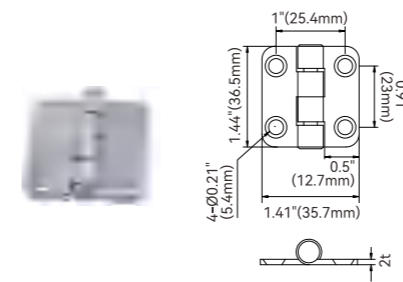


Model	Size	Weight
SFHS-03	2.6"x1.42"x0.5"(66x36x12.7mm)	53g

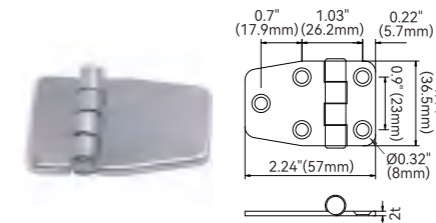


Model	Size	Weight
SFHS-04	1.38"x1.38"x0.39"(35x35x10mm)	28g

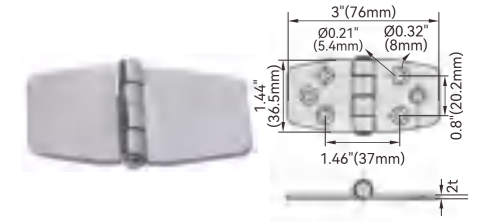
**Hinge with cover, mirror polished AISI316**



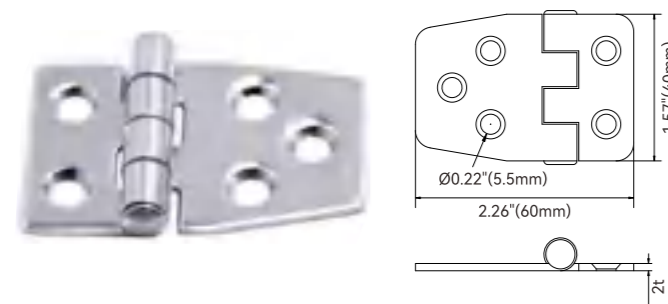
Model	Size	Weight
SFHS-09	1.57"x1.57"x0.08"(40x40x2mm)	50g



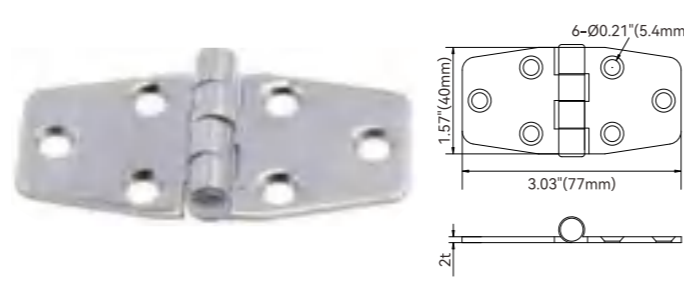
Model	Size	Weight
SFHS-10	1.57"x2.32"x0.08"(40x59x2mm)	80g



Model	Size	Weight
SFHS-11	1.57"x3"(40x76mm)	100g



Model	Size	Weight
SFHS-05	1.57"x2.26"x0.08"(40x60x2mm)	47g



Model	Size	Weight
SFHS-06	1.57"x3.03"(40x77mm)	55g

**#316 door holder**

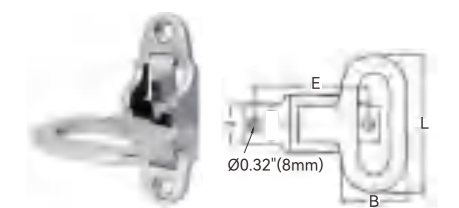


Model	Base size	Height	Weight
SFDH-01	1-9/16"x1-5/16"(40x32mm)	1-5/8"(40mm)	120g



Model	Base size	Height	Weight
SFDH-02	1-1/16"x1-1/8"(26.5x28mm)	1-1/2"(38mm)	100g

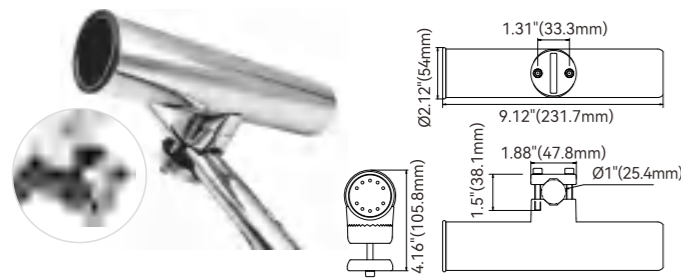
**#316 Foldable step**



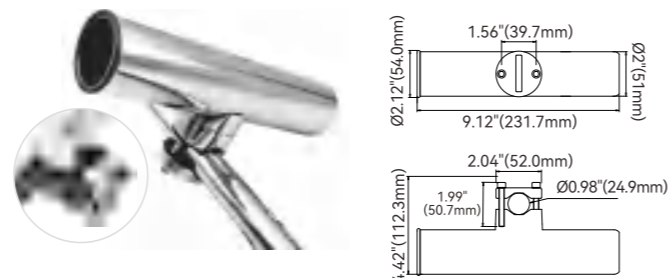
Model	L	B	E	Weight
SFFS-01	3.15"(80mm)	1.97"(50mm)	3.54"(90mm)	405g

### Stainless Steel Clamp-on Rod Holder

New improvement of clamp, with rubber plate protect rail.



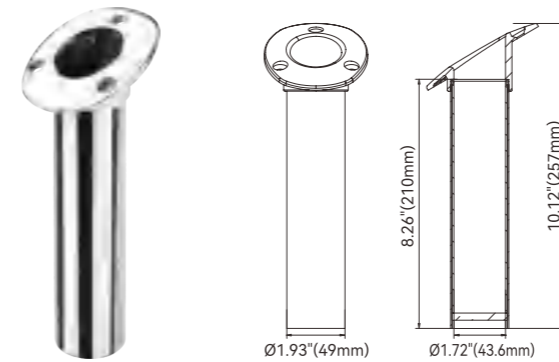
Model	Suitable Tube Size	I.D.	Length	Weight
SFRH03-01	7/8"-1" (22-25mm)	1-5/8" (42mm)	9" (230mm)	744.2g



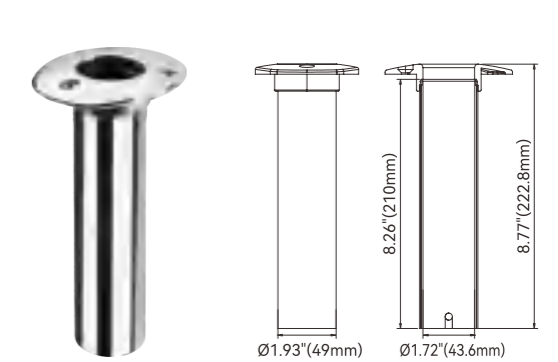
Model	Suitable Tube Size	I.D.	Length	Weight
SFRH03-02	1"-1.1/4" (25-32mm)	1-5/8" (42mm)	9" (230mm)	782.5g

### Heavy Duty Casted Head Rod Holder

AISI 316 heavy casted head which is very strong Hidden liner which is more streamlined Welded cast bar 1/4" wide \* 1/2" tall, excellent function

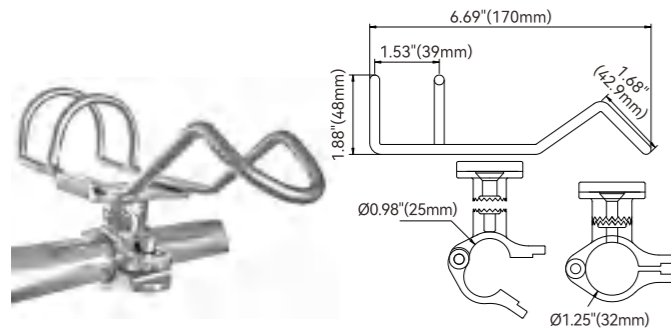


Model	Flange degree	Weight
SFRH01-30-01	30dr	783.2g



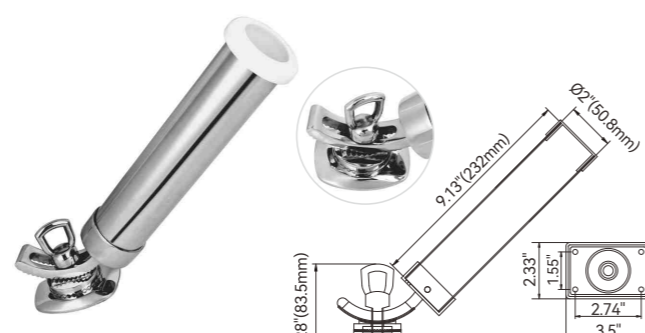
Model	Flange degree	Weight
SFRH01-90-01	90dr	713g

### #316 Rail Rod Holder



Model	Suit For Rail	Weight
SFRH05-01	1"	420g
SFRH05-02	1-1/4"	440.4g

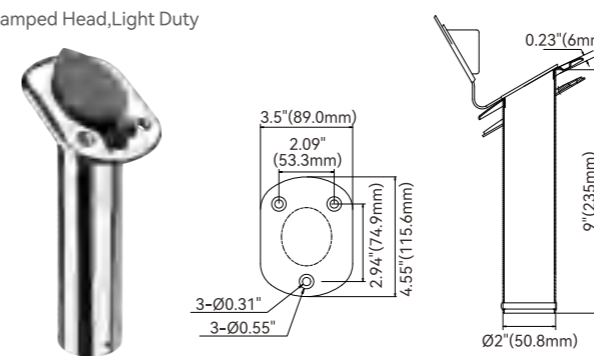
### Decking Rod Holder, AISI316



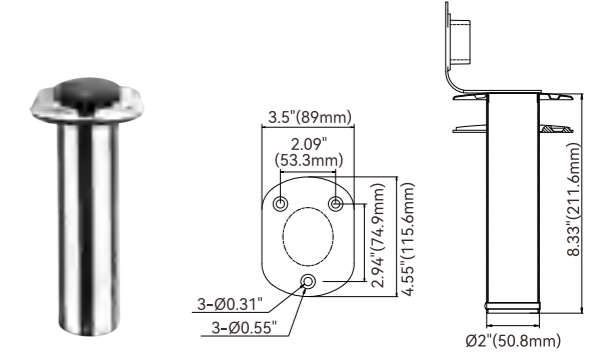
Model	Size	Weight
SFRH02-01	2"	1031.2g

### Stainless Steel Rod Holder

Stamped Head, Light Duty

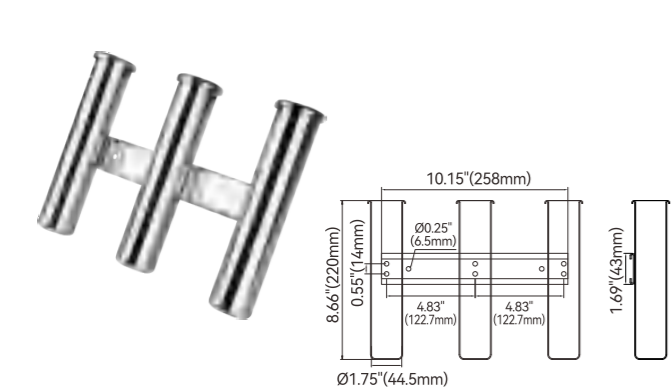


Model	Flange degree	Liner I.D.	Length	Weight
SFRH01-30-02	30dr	2"	9"	513.5g

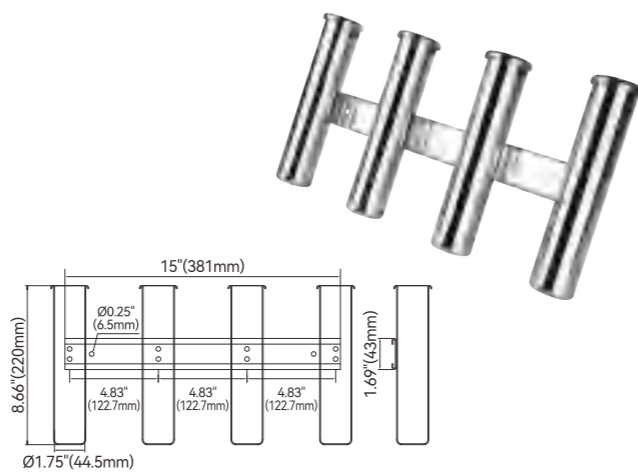


Model	Flange degree	Liner I.D.	Length	Weight
SFRH01-90-02	90dr	2"	9"	488.8g

### Tournament Rod Holder, AISI316

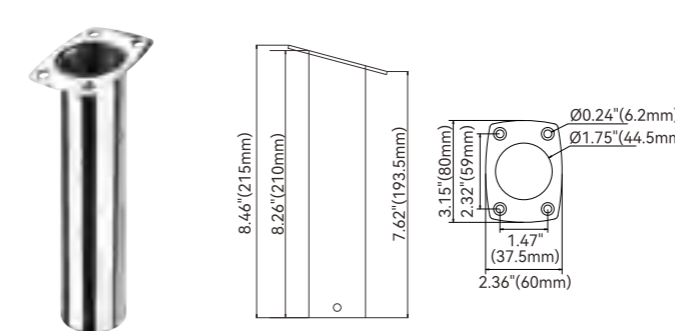


Model	I.D.	H x L	Rod	Weight
SFRH04-03-01	1-3/4" (45mm)	8.66"x10.5" (220x267mm)	3 Rod	980g

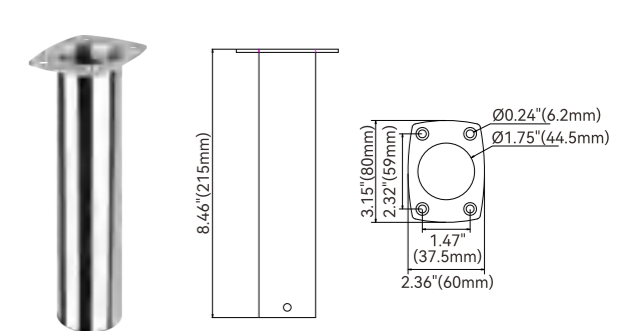


Model	I.D.	H x L	Rod	Weight
SFRH04-04-01	1-3/4" (45mm)	8.66"x15.1" (220x384mm)	4 Rod	1357.2g

### Square Flush Rod Holder, AISI316



Model	Flange degree	Liner I.D.	Length	Weight
SFRH01-15-03	15dr	1.57"	8.46"	301.7g



Model	Flange degree	Liner I.D.	Length	Weight
SFRH01-90-03	90dr	1.57"	8.46"	308.3g

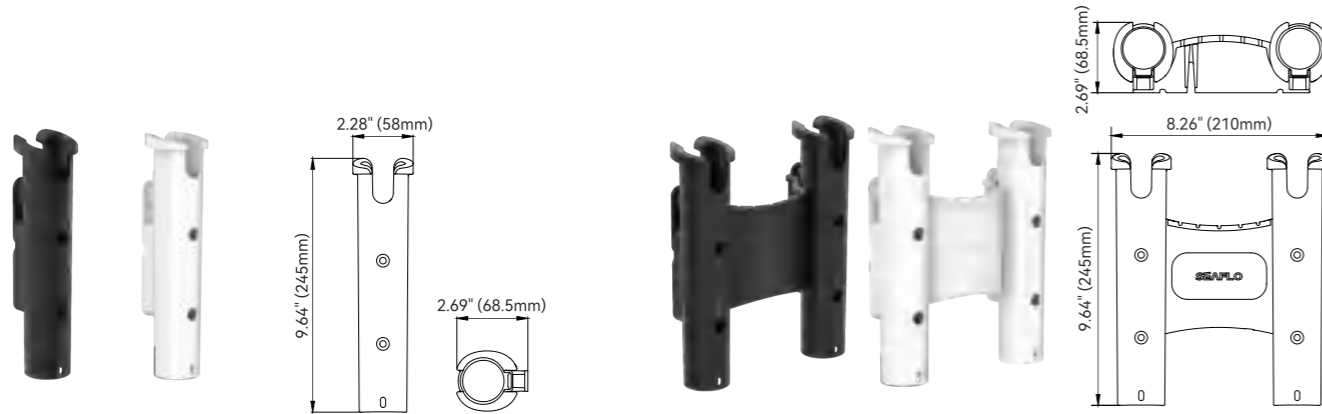
## Fishing Rod Holder

### FEATURES & BENEFITS

- Multi-size adaptability: Offering three different sizes, designed for fishing enthusiasts, it can be adapted to various types and sizes of boats to meet the needs of different fishing scenarios.
- Universal joint pin design: The universal joint pin design effectively prevents the fishing rod from rotating within the tube, protecting the rod while ensuring safe and stable storage.
- Quick Installation: The installation process is quick and easy, requiring no complex tools and can be completed in a few minutes.
- Portability and Durability: The material is lightweight, strong, corrosion-resistant and heat-resistant, which ensures the durability under outdoor use; the assembled design is easy to carry to any scene.

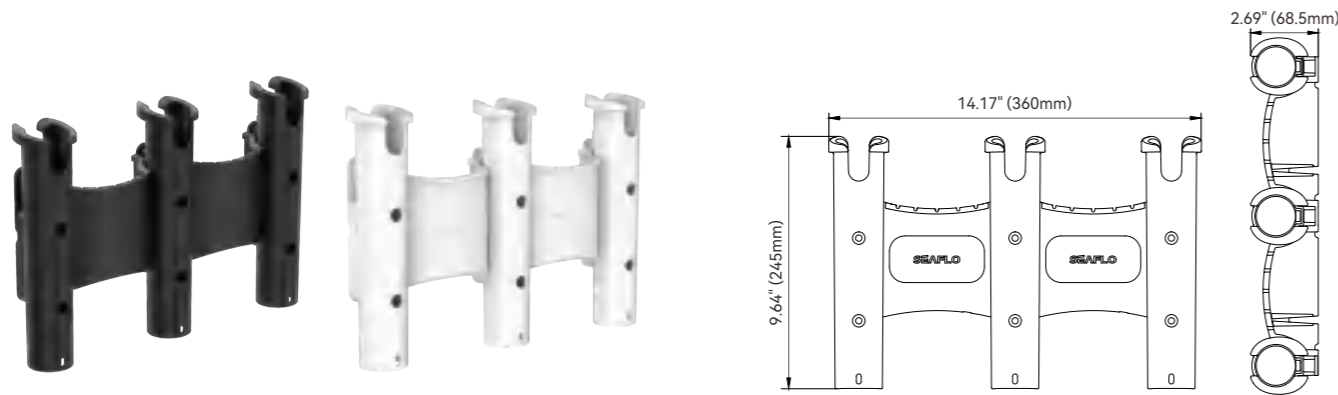


Effectively prevents rod rotation within tube  
Protects fishing rods for secure and stable storage.



Model	Name	Material	Net weight	Color
SFRH04-01-02W	SINGLE ROD HOLDER	PP+GF	145.4g	White
SFRH04-01-02B	SINGLE ROD HOLDER	PP+GF	145.4g	Black

Model	Name	Material	Net weight	Color
SFRH04-02-02W	DOUBLE ROD HOLDER	PP+GF	379.3g	White
SFRH04-02-02B	DOUBLE ROD HOLDER	PP+GF	379.3g	Black



Model	Name	Material	Net weight	Color
SFRH04-03-02W	3-RACKROD HOLDER	PP+GF	613.2g	White
SFRH04-03-02B	3-RACKROD HOLDER	PP+GF	613.2g	Black

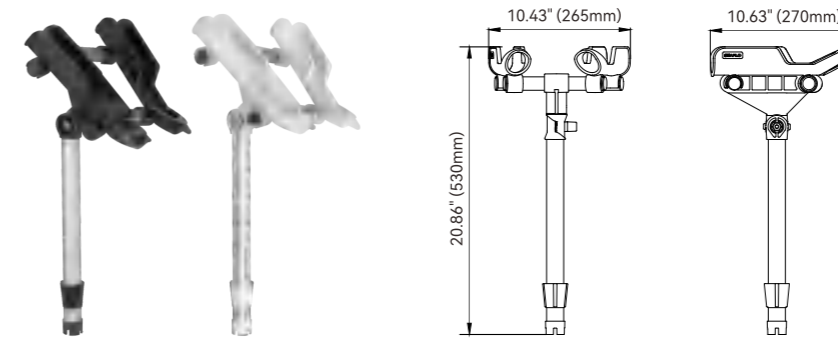
## Quick Lift Rod Holder

### FEATURES & BENEFITS

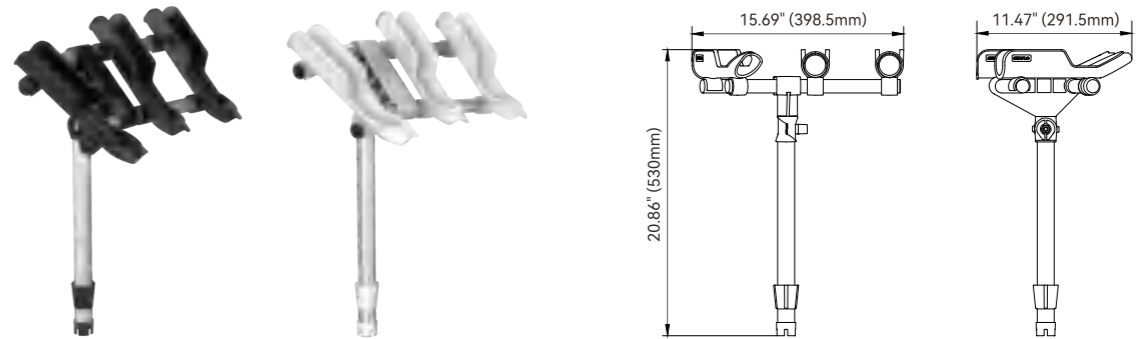
- Rapid Lifting Adjustment: Realize the rapid adjustment of the height of the fishing rod, adapt to different fishing needs.
- Stable Support: Provides stable support to ensure the rod is stable and does not shake.
- Portable and easy to install: compact design, easy to carry to various fishing locations, easy and quick to install.
- Broad adaptability: Integrates support, adjustment, and protection, catering to diverse fishing environments and fulfilling varied demands.



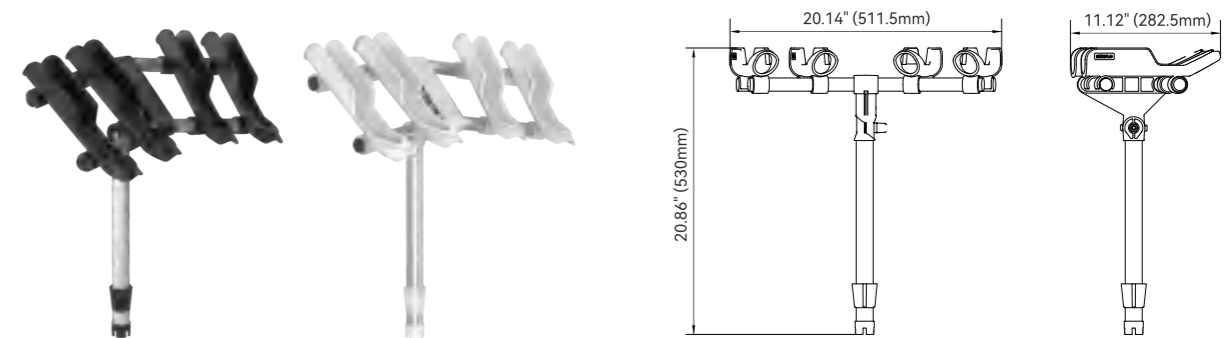
Rapid Lifting Adjustment  
Stable Support



Model	Name	Material	Net weight	Color
SFRH06-02-01W	2 in 1 Rod Holder Mount	PP+Al	972g	White + aluminum
SFRH06-02-01B	2 in 1 Rod Holder Mount	PP+Al	972g	Black + aluminum



Model	Name	Material	Net weight	Color
SFRH06-03-01W	3 in 1 Rod Holder Mount	PP+Al	1232g	White + aluminum
SFRH06-03-01B	3 in 1 Rod Holder Mount	PP+Al	1232g	Black + aluminum

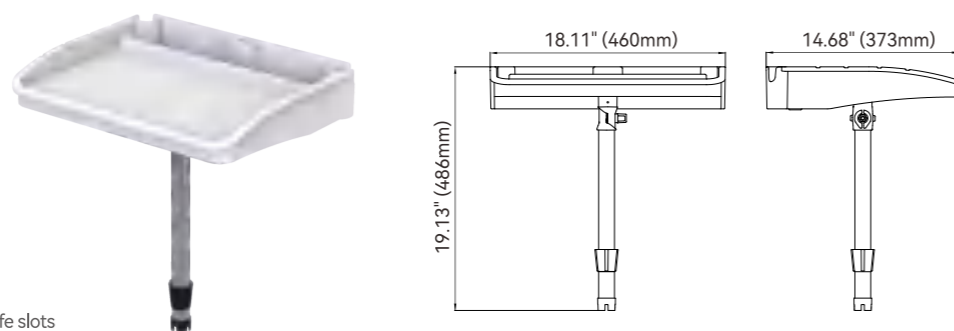


Model	Name	Material	Net weight	Color
SFRH06-04-01W	4-in-1 Rod Holder Mount	PP+Al	1467.5g	White + aluminum
SFRH06-04-01B	4-in-1 Rod Holder Mount	PP+Al	1467.5g	Black + aluminum

## Bait & Fillet Table

### FEATURES & BENEFITS

- One-piece molded polypropylene material
- Multi-functional storage
- Easy to disassemble design
- Enhanced practicality
- Hook hole on the left side
- Drainage holes for efficient water drainage
- Incorporate placement holes for fish grippers and knife slots



Rod Storage Hole Fish Trap Placement Hole Drainer design Knife Holder Storage Hook holes on both sides

Model	Name	Material	Net weight	Color
SFBCB-01	Small Bait Table	PP+GF	2342g	White + Aluminum

### FEATURES & BENEFITS

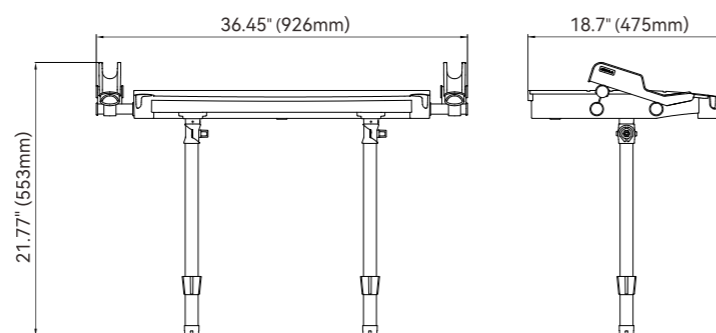
- One-piece molded polypropylene material
- Multi-functional storage
- Easy to disassemble design
- Enhanced practicality
- Hook hole on the left side
- Drainage holes for efficient water drainage
- Incorporate placement holes for fish grippers and knife slots
- Provide fishing rod holder storage compartments and rod storage holes on both sides



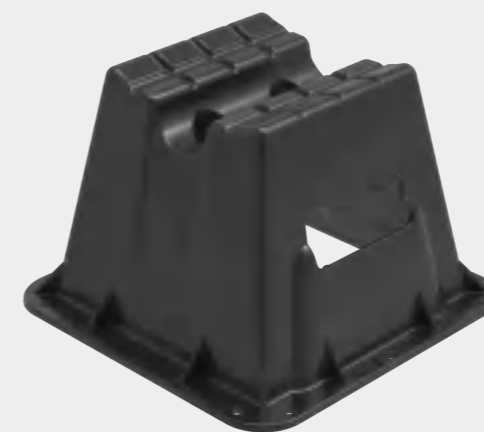
Rod Storage Hole Fish Trap Placement Hole Drainer design



Knife Holder Storage Hook holes on both sides Rod Holder Placement



Model	Name	Material	Net weight	Color
SFBCB-02	Large Bait Table	PP+GF	4792g	White + Aluminum



Color Box



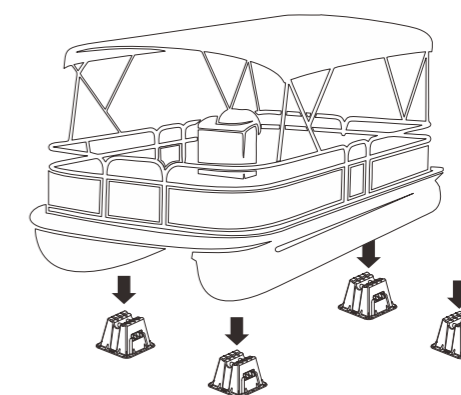
PONTOON STORAGE BLOCKS

## Pontoon Storage Blocks

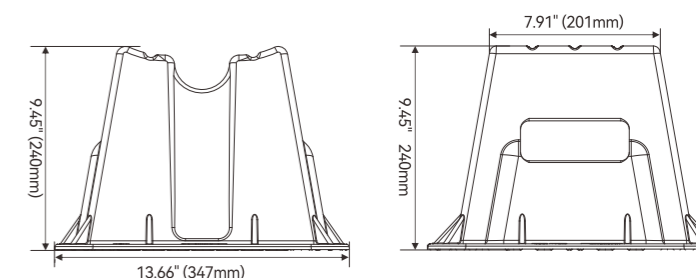
SEAFLO Pontoon Storage Blocks are a must have for long-term, winter or fall storage of your pontoon. Their rugged design keeps your pontoon high off the ground and dry to preserve the lifetime of your hull. Each block is capable of holding 4,000 lbs, for a total holding capacity of 16,000 lbs among the 4 blocks.

### FEATURES & BENEFITS

- Keeps Your Pontoon Hull High and Dry off of the Ground
- Designed for Ultimate Strength and Contoured to your Pontoon Hull
- Specially Formulated Anti-Ultraviolet, Chemical Resistant and Impact Resistant Composite Material
- Great for Fall and Winter Pontoon Storage
- Stacking Fitment Design for Easy Storage
- 4 Blocks are Included in Each Box



### INSTALLATION DIMENSION DRAWING



Model	Description	Dimensions
SFPSB-04-01	Pontoon Storage Blocks, set of four	13-1/2" x 13-1/2" x 9-1/2"

**Grapnel Anchor "A" Type**



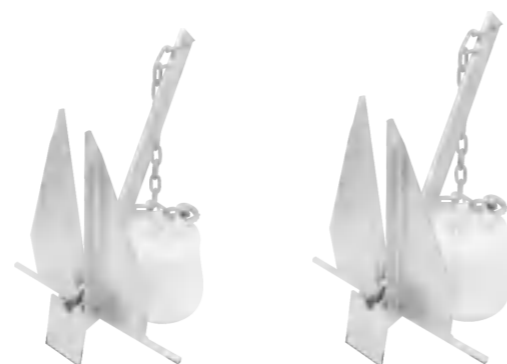
Model	SFAN-15-01	SFAN-25-01	SFAN-32-01
Size	1.5kg/3.5lb	2.5kg/5.5lb	3.2kg/7lb

**Slip Ring and other Anchor Style**



Model	Size	Color
SFAN-13-03	#13	White,Red,Black

**Danforth Anchor, Hot Dip Galvanized**



Model	Size
SFAN-08-02	#8
SFAN-13-02	#13

**Mountain Anchor and Hammer, Hot Dip Galvanized**



Model	Size
SFAN-04	3.2kg/7lb

**Mountain Nail, Hot Dip Galvanized**



Model	Size
SFMN-01	5.9" (150mm)

**Nord anchor kits**



Model	SFAK-05	SFAK-05G	SFAK-05R	SFAK-05B
Color	Black	Green	Red	Blue

**Folding Anchor kit**



Model	Size
SFAK-02	0.7kg
SFAK-03	1.5kg

**Four Claw Anchor, Hot Dip Galvanized**



Model	Size
SFAN-04-08	4lb-10mm
SFAN-05-08	5lb-10mm

**Folding Anchor kit**



Model	Size
SFAK-01	0.2kg



Model	Size
SFAK-04	1.5kg





**Mushroom Anchor.Vinyl Coated**



Model	SFAN-08-05	SFAN-10-05	SFAN-15-05	SFAN-20-05	SFAN-25-05
Size	8 lb	10 lb	15 lb	20 lb	25 lb

**River Anchor Vinyl Coated**



Model	SFAN-12-06	SFAN-15-06	SFAN-18-06
Size	12 lb	15 lb	18 lb

**Oval Type Downrigger Weight, Cast Iron Material And Lead Material**



Model	Size	Total Length
SFDW-04-01	4 lb	6.26" (159mm)
SFDW-06-01	6 lb	6.85" (174mm)
SFDW-08-01	8 lb	7.32" (186mm)
SFDW-10-01	10 lb	7.75" (197mm)
SFDW-12-01	12 lb	8.07" (205mm)

**Navy Anchor Vinyl Coated**



Model	Size	Model	Size	Model	Size
SFAN-10-07	10 lb	SFAN-15-07	15 lb	SFAN-20-07	20 lb



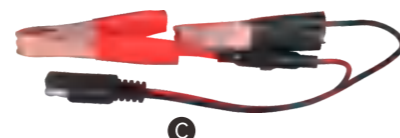
### Wiring Harness



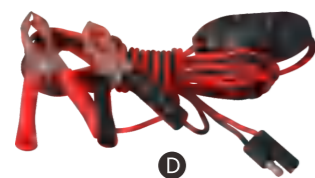
**A**  
16 AWG wiring harness with on-off switch car adaptor  
Length: 95.27"  
Molded 2-pin connector: Yes



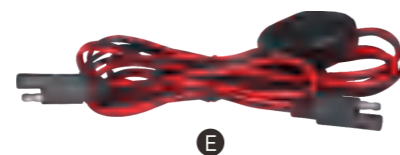
**B**  
18 AWG wiring car adaptor  
Length: 11.81"  
Molded 2-pin connector: Yes



**C**  
18 AWG wiring 30-amp battery clips  
Length: 12.80"  
Molded 2-pin connector: Yes



**D**  
18 AWG wiring harness with on-off switch, two 30-amp battery clips  
Length: 98.43"  
Molded 2-pin connector: Yes



**E**  
18 AWG wiring harness with on-off switch  
Length: 92.52"  
Molded 2-pin connector: Yes

### Fresh Water Pump Strainers



	51S01	52S01	52S02
Size:	1/2"-14 MNPT	3/4" Male Quick Attach	3/4" Male Quick Attach
Fitting Type:	1/2"-14 FNPT Inline Filter / Strainer	1/2" Hose Barb	1/2"-14 FNPT Inline Filter / Strainer
Mesh Size:	50	50	50

### Pressure Switches



	01 Series	02 Series	51 New/55/56A Series
Pressure Range	17-100 PSI	17-60 PSI/25 A	60 PSI
Max Amp.	15 A	50	20 A
Suitable For	21/22/33/41 short/42 short/43 short	41 long/42 long/43 long	51 New/55/56A

### Pex Pipe Fittings

- Compatible with PEX or PE-RT pipe
- Lead Free, Corrosion Resistant, Light Weight, High Durability Applicable to RV, drinking water, activity room, HVAC system and other fields



**SFFE1-1212-01**  
Size: 1/2" Barb x 1/2" Barb  
Fitting Type: 1/2" Elbow Tower Fitting  
Material: PA66



**SFFT1-1212-01**  
Size: 1/2" Barb x 1/2" Barb x 1/2" Barb  
Fitting Type: 1/2" Tee Tower Fitting  
Material: PA66



**SFFE1-1220-01**  
Size: 1/2"-14MNPT x 1/2" Barb  
Fitting Type: 1/2" X 1/2" MNPT Adapter Elbows  
Material: PA66



**SFFT1-1220-01**  
Size: 1/2"-14MNPT x 1/2" Barb x 1/2" Barb  
Fitting Type: 1/2" X 1/2" X 1/2" MNPT Tee Fitting  
Material: PA66



**SFFS1-1220-01**  
Size: 1/2"-14FNPT x 1/2" Barb  
Fitting Type: 1/2" X 1/2" FNPT Swivel Adapter  
Material: PA66

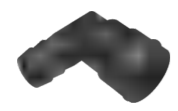


**SFFN1-1220-01**  
Size: 1/2"-14FNPT x 1/2" Barb  
Fitting Type: 1/2" X 1/2" FNPT Swivel Elbow  
Material: PA66

## Fresh Water Pump Fittings

OTHER ACCESSORIES

OTHER ACCESSORIES



**21F001**  
Size: 15/32" X 3/8" Barb  
Fitting Type: HB Elbow Fitting w/ O-Ring  
Material: PA



**23F003**  
Size: 5/8" QA x 1/4" Barb  
Fitting Type: HB Straight Fitting w/ O-Ring  
Material: PA



**41F004**  
Size: 3/4" QA x 1/2" MNPT  
Fitting Type: MNPT Straight w/ O-Ring  
Material: Black Nylon



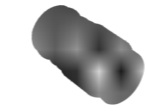
**51F003**  
Size: 1/2" -14 FNPT x 1/2" Barb  
Fitting Type: HSE Barb Elbow Fitting  
Material: POM & PP



**21F002**  
Size: 15/32" X 1/2" Barb  
Fitting Type: HB Elbow Fitting w/ O-Ring  
Material: PA



**23F004**  
Size: 5/8" QA x 3/8" Barb  
Fitting Type: HB Straight Fitting w/ O-Ring  
Material: PA



**41F005**  
Size: 3/4" QA x 1/2"  
Fitting Type: TUBE Straight w/ O-Ring  
Material: Black Nylon



**51F004**  
Size: 1/2"-14 FNPT x 1/2"-14 MNPT  
Fitting Type: MNPT Elbow Fitting  
Material: POM & PP



**21F003**  
Size: 1/4" x 1/4" QA  
Fitting Type: TUBE Elbow Fitting w/ O-Ring  
Material: POM



**23F005**  
Size: 5/8" QA x 1/2" MNPT  
Fitting Type: MNPT Elbow w/ O-Ring  
Material: Black Nylon



**41F006**  
Size: 3/4" QA x 3/4" Barb  
Fitting Type: HS Straight Fitting w/ O-Ring  
Material: Black Nylon



**51F005**  
Size: 1/2" -14FNPT x 3/8" Barb  
Fitting Type: HSE Barb Elbow Fitting  
Material: POM & PP



**21F004**  
Size: 15/32" X 3/8" Barb  
Fitting Type: HB Elbow Fitting w/ O-Ring  
Material: PA



**23F006**  
Size: 5/8" QA x 1/2" MNPT  
Fitting Type: MNPT Elbow w/ O-Ring  
Material: Black Nylon



**41F007**  
Size: 3/4" QA x 3/4" Barb  
Fitting Type: Elbow Fitting w/ O-Ring  
Material: Black Nylon



**51F008**  
Size: 1/2" -14FNPT x 3/4" Barb  
Fitting Type: HSE Barb Straight Fitting  
Material: POM & PP



**21F005**  
Size: 15/32" X 1/4" Barb  
Fitting Type: HB Elbow Fitting w/ O-Ring  
Material: PA



**41F001**  
Size: 3/4" QA x 1/2" Barb  
Fitting Type: HS Elbow Fitting w/ O-Ring  
Material: Black Nylon



**42F001**  
Size: 1/2" FNPT x G 1/2"  
Fitting Type: NPT Standard to G Standard  
Material: Copper



**51F009**  
Size: 1/2" FNPT x 1/2" FNPT  
Fitting Type: HSE Barb Straight Fitting  
Material: POM & PP



**23F001**  
Size: 5/8" QA x 3/8" Barb  
Fitting Type: HB Straight Fitting w/ O-Ring  
Material: PA



**41F002**  
Size: 3/4" QA x 1/2" MNPT  
Fitting Type: MNPT Elbow w/ O-Ring  
Material: Black Nylon



**51F001**  
Size: 1/2" -14 FNPT x 1/2" Barb  
Fitting Type: HSE Barb Straight Fitting  
Material: POM & PP



**51F010**  
Size: 1/2" FNPT x 3/4" MNPT  
Fitting Type: HSE Barb Straight Fitting  
Material: POM & PP



**23F002**  
Size: 5/8" QA x 3/8" Barb  
Fitting Type: HB Elbow Fitting w/ O-Ring  
Material: PA



**41F003**  
Size: 3/4" QA x 1/2" Barb  
Fitting Type: HS Straight Fitting w/ O-Ring  
Material: Black Nylon



**51F002**  
Size: 1/2" -14 FNPT x 3/8" Barb  
Fitting Type: HSE Barb Straight Fitting  
Material: POM & PP

